

<b>PROJECT</b>			
<b>DATE</b>		<b>TYPE</b>	



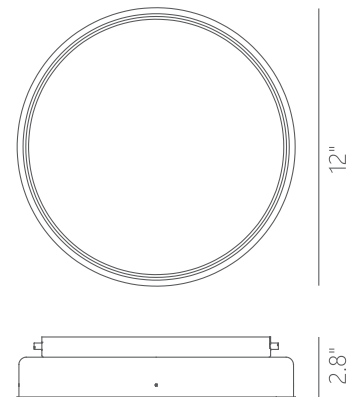
PC111070-MH



PC111070-DT



PC111070-SDG



## PAN

**Material:**  
Aluminum

**Decorative Difusser:**  
Acrylic

**Finishes:**  
DT - Deep Taupe  
MH - Matte White  
SDG - Satin Dark Gray

**Finish Details:**  
Brushed Champagne

**Color Temp.:**  
3000K

**CRI (Ra):**  
≥90

**LED Rated Life:**  
≈50,000 Hours

**Dimming:**  
100% - 10%



	<b>PC111070</b>
<b>Wattage:</b>	19W
<b>Voltage:</b>	100~130V
<b>Total Lumens:</b>	1890
<b>Delivered Lumens:</b>	1053

Dimmable with ELV or TRIAC Dimmer (Not Included)

PageOne Furnishing & Lighting Co., Ltd.

Add.: 35 Fulton Way, Unit 1, Richmond Hill, ON L4B 2N4, CANADA

Tel.: +1 (905) 707-0004 Toll Free: +1-844-623-7278 Fax: +1 (905) 707-8444

E-mail: [sales@pageonlighting.com](mailto:sales@pageonlighting.com)

Website: [www.pageonlighting.com](http://www.pageonlighting.com)

