

AWPC15Q

AmberLED Constellation Medium Full Cutoff Wall Pack



The LEPG AmberLED AWPC15Q cut-off wall pack luminaire is available in an IES Type V distribution designed to replace HID lighting systems 175w to 250 MH or HPS for wildlife or security applications requiring monochromatic AMBER light. LEDs operate between 585 and 595 nm, greater than 560nm required for wildlife protection. Typical wall mounted lighting applications include retail centers, industrial parks, schools and universities, office buildings and medical facilities. Mounting heights of 12 to 18 feet can be used based on light level and uniformity requirements.

Specifications and Features:

Housing: Die Cast Hinged and Gasketed Aluminum Front Frame and Housing with 1/2" Coin Plugs. Nickel-Plated Stainless Steel Hardware. Photocell Adaptable.

Listing & Ratings:

CSA: Listed for Wet Locations, ANSI/UL 1598, 8750; IP65 Sealed LED Compartment.

Finish: Textured Architectural Bronze Powdercoat Finish Over a Chromate Conversion Coating. Custom Colors Available Upon Request.

Lens: Tempered Clear Flat Glass Lens or Tempered Clear Flat Prismatic Glass Lens.

Mounting Options: Cast-in Template for Mounting Directly Over a 4" Recessed Outlet Box, or Use 1/2" Surface Conduit.

AmberLED: Aluminum Boards

Wattage: Array: 37w, System: 40w; (250w HID Equivalent)

Driver: Electronic Driver, 120-277V, 50/60Hz; Less Than 20% THD and PF>0.90. Standard Internal Surge Protection 6kV. 0-10V Dimming Standard for a Dimming Range of 100% to 10%; Dimming Source Current is 150 Microamps.

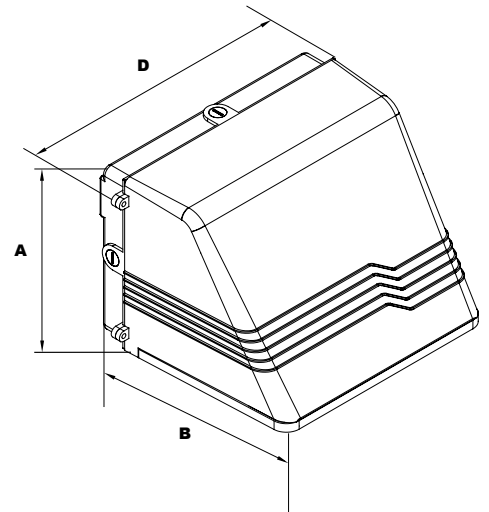
Controls: Fixtures Ordered with Factory-Installed Photocell or Motion Sensor Controls are Internally Wired for Switching and/or 1-10V Dimming Within the Housing. Remote Direct Wired Interface of 1-10V Dimming is Not Implied and May Not Be Available, Please Consult Factory. Fixtures are Tested with LEPG Controls and May Not Function Properly With Controls Supplied By Others. Fixtures are NOT Designed for Use with Line Voltage Dimmers.

Warranty: 5-Year Warranty for -40°C to +40°C Environment.



Dimensions

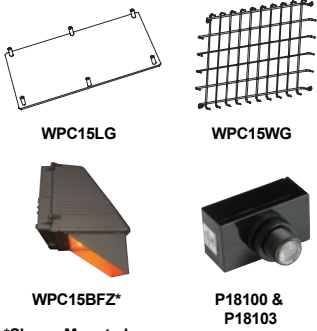
| | |
|-------------------|-----------------|
| Width (D) | 14 1/4" (362mm) |
| Length (B) | 11 3/8" (289mm) |
| Height (A) | 9 1/8" (232mm) |



Order Information:

| Model | Optics | Wattage | Driver | CCT | Lens | Color | Options |
|--|----------|----------|------------|----------|--|---|--|
| AWPC15Q | F=Type V | 1X37=37w | U=120-277V | AM=Amber | | | |
| AWPC15Q= AmberLED Constellation Medium Full Cutoff Wall Pack | F=Type V | 1X37=37w | U=120-277V | AM=Amber | C=Clear Flat Glass Lens, P=Clear Flat Prismatic Glass Lens | Z=Bronze C=Custom (Consult Factory) | SF=Single Fuse DF=Double Fuse SP=Surge Protection PC1=Photocell, 120VAC PC3=Photocell, 120-277VAC BU=Battery Backup, 90 Minutes |

Accessories & Replacement Parts:

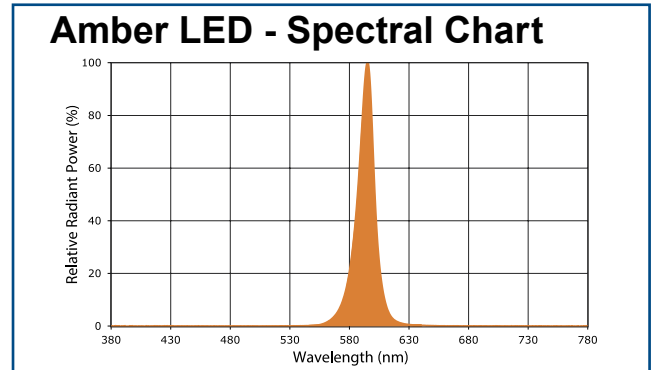
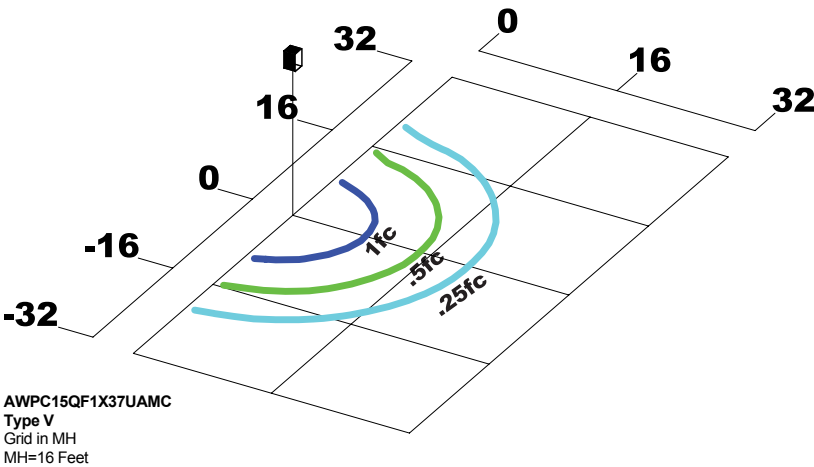


| Accessories (Order Separately, Field Installed) | |
|--|--|
| WPC15LG | Clear Polycarbonate Vandal Resistant Guard, Includes Hardware. |
| WPC15WG | Wire Guard, Stainless Steel Construction, Includes Hardware. |
| WPC15BFZ | Baffle, Aluminum with Bronze Powdercoat Finish |

| Replacement Parts (Order Separately, Field Installed) | |
|--|-------------------------------------|
| WPC15GLC | Tempered Clear Flat Glass Lens. |
| WPC15GLP | Tempered Prismatic Flat Glass Lens. |
| P18100 | 120VAC, Photocell |
| P18103 | 120-277VAC Photocell |

For Replacement Battery Backup, see the LEPG LED Battery Backup Specification Sheet.

Photometric Data



Photometric Performance

| LED Board Watts | Drive Current (mA) | Input Watts | Optics | Amber LEDs | | | | |
|-----------------|--------------------|-------------|--------|------------|-----|---|---|---|
| | | | | Lumens | LPW | B | U | G |
| AmberLED 37w | 525 | 40 | Type V | 1,279 | 32 | 1 | 1 | 0 |

Projected Lumen Maintenance

| Data shown for Amber LEDs | | | Compare to MH | | | |
|--------------------------------------|-------------|---------|---------------|------------|-------------|----------------------|
| TM-21-11 | Input Watts | Initial | 25,000 Hrs | 50,000 Hrs | 100,000 Hrs | Calculated L70@ 25°C |
| L70 Lumen Maintenance @ 25°C / 77°F | 40 | 1.00 | 0.96 | 0.93 | 0.86 | 213,000 |
| TM-21-11 | Input Watts | Initial | 25,000 Hrs | 50,000 Hrs | 100,000 Hrs | Calculated L70@ 50°C |
| L70 Lumen Maintenance @ 50°C / 122°F | 40 | 1.00 | 0.93 | 0.87 | 0.73 | 113,000 |
| TM-21-11 | Input Watts | Initial | 25,000 Hrs | 50,000 Hrs | 100,000 Hrs | Calculated L80@ 40°C |
| L80 Lumen Maintenance @ 40°C / 104°F | 40 | 1.00 | 0.95 | 0.89 | 0.78 | 91,000 |

NOTES: