



TORRES

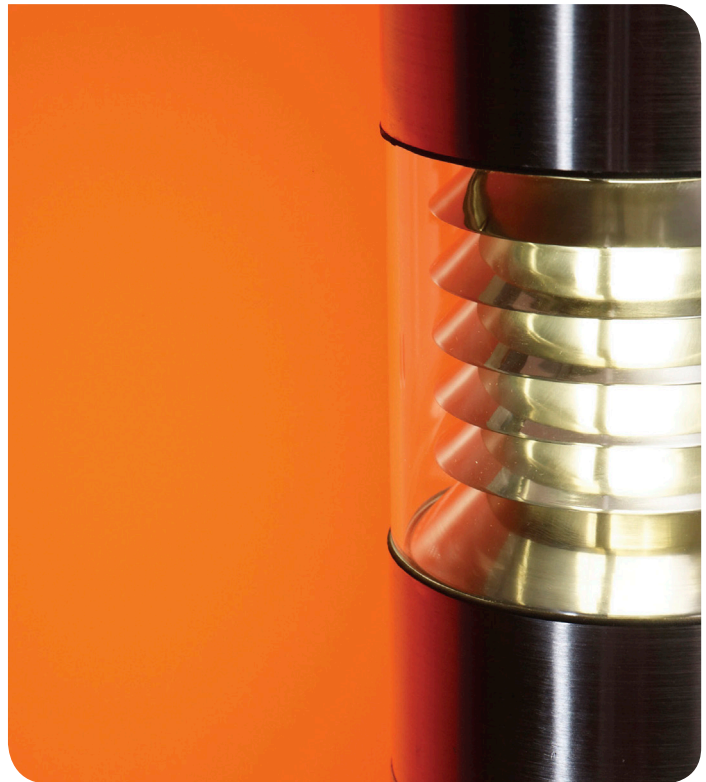
bollard

STANDARD FEATURES

- Torres is a sophisticated fixture exhibiting classic minimalist aesthetics.
- The brushed stainless steel construction and tempered borosilicate lens provide a durable, high performance structure making the fixture a stylish option for outdoor installation.
- The timeless form complements the most urbane residential or institutional installations.
- Simple, two-piece construction offers easy re-lamping without breaking the lens seals.
- Aluminum construction available at customer's request



Intertek



SERIES	MODEL	SIZE	LAMP	VOLT	LUMENS	CCT	CONTROL	COLOR	MOUNTING	REFLECTOR
TORRES	550	36"	30W/LED	120-277UNV 347-480UNV	4100	5000K	0-10V DIM	SS = STAINLESS STEEL	BM = BOLLARD MOUNT	SL = STACKED LOUVRES EM = Emergency Backup BT = Bluetooth sensor RD = Remote dimming
		42"	50W/LED		4000	4000K				
			3900		3000K					
			6530		5000K					
			6300		4000K					
			6075		3000K					

ORDERING INFORMATION

SERIES	MODEL	SIZE	LAMP	VOLT	LUMENS	CCT	CONTROL	COLOR	MOUNTING	REFLECTOR

Consult factory for voltage and other lamp options. Product specifications subject to change without notice.

1. Programmable drivers at the PACE factory
2. Color tunable
3. Capable of remote dimming
4. Can be equipped with motion sensors for on/off functioning
5. Can be equipped with light sensors for dusk-to-dawn automatic on/off operation
6. Bluetooth commissioning sensor capability for Android and iOS

Although PACE has prepared the information contained in this document with all due care, PACE does not warrant or represent that the information is free from errors or omission. Whilst the information is considered to be true and correct at the date of publication, changes in circumstances after the time of publication may impact on the accuracy of the information. The information may change without notice and PACE is not in any way liable for the accuracy of any information printed and stored or in any way interpreted or used.

In the interest of product improvement, Pace reserves the right to make technical and product specification changes without notice. Consult factory for voltage and other lamp options.



PACE
ILLUMINATION

TORRES

bollard

SIZE

Small = 36"

Large = 42"

8" diameter

Custom height available upon request

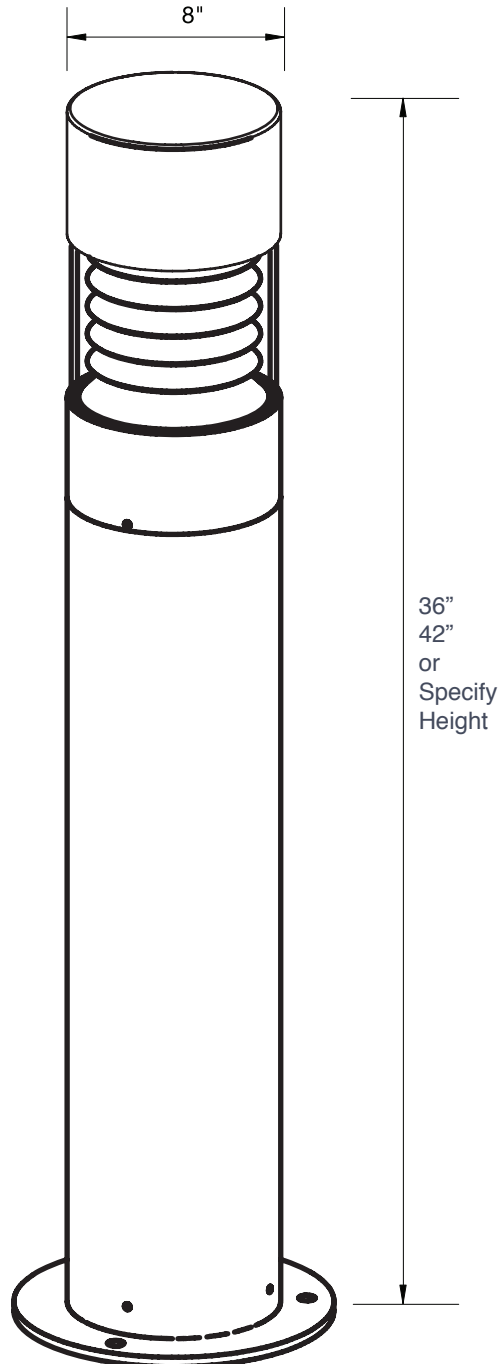
MOUNTING

Bollard

COLOR

Textured or smooth polyester powder coat finishes

RAL colors available



Although PACE has prepared the information contained in this document with all due care, PACE does not warrant or represent that the information is free from errors or omission. Whilst the information is considered to be true and correct at the date of publication, changes in circumstances after the time of publication may impact on the accuracy of the information. The information may change without notice and PACE is not in any way liable for the accuracy of any information printed and stored or in any way interpreted or used.

In the interest of product improvement, Pace reserves the right to make technical and product specification changes without notice. Consult factory for voltage and other lamp options.