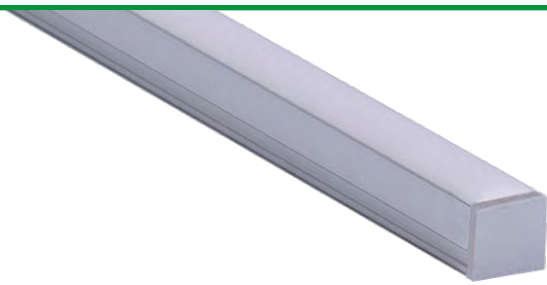


ATOM-ENCAPSULATED (03) Linear Fixtures - MICRO 5 SERIES



Synonymous with its name, the new ATOM-ENCAPSULATED (03) Micro 5 Series is 60% smaller than TORQ making it one of Q-Tran's smallest linear fixtures. An encapsulated lens complements ATOM's modern and discreet design to provide optimally delivered lumens, making it ideal for surface-mounted or recessed installations that call for low-profile light in small areas. Available in satin or black finishes and encapsulated in clear or translucent.

Part Number Builder

Static White



Product	W/FT	CCT	Rated	Lens	Input/Output	Connector/Wire In	Connector/Wire Out	Wire Color	Wire Type	Mounting	Finish	Length* (in)
ATOM-03-SW			ENC							SST		
Voltage: 24 VDC	1.0 2.0 4.0	24 27 30 35 40	ENC (IP67)	CL TL	S1 S2	BW BRL CON6 CON24	CLS	WH BK N/A	CL2 CL2P N/A	SST	ST BK	
Typical lumens at 4.0W/ft with CL at 3000K: 202 lm/ft					Single (Closed exit) P1 P2	BW BRL CON6 CON24	BW BRL CON6 CON24					
					Pass through							

*Available in 1" increments. Maximum length of 98.43" not including end caps. Tolerance +0.0"/-0.5. Minimum fixture length 6".

Dynamic White



Product	W/FT	CCT	Rated	Lens	Input/Output	Connector/Wire In	Connector/Wire Out	Wire Color	Wire Type	Mounting	Finish	Length** (in)
ATOM-03-DW	4.0		ENC	TL						SST		
Voltage: 24 VDC		24/30 27/40	ENC (IP67)	TL	S1 S2	BW CON6 CON24	CLS	WH BK N/A	CL2 CL2P N/A	SST	ST BK	
Typical lumens at 4.0W/ft with CL at 3000K: 117 lm/ft					Single (Closed exit) P1 P2	BW CON6 CON24	BW CON6 CON24					
					Pass through							

**Available in 2" increments. Maximum length of 98.43" not including end caps. Tolerance +0.0"/-0.5. Minimum fixture length 6".

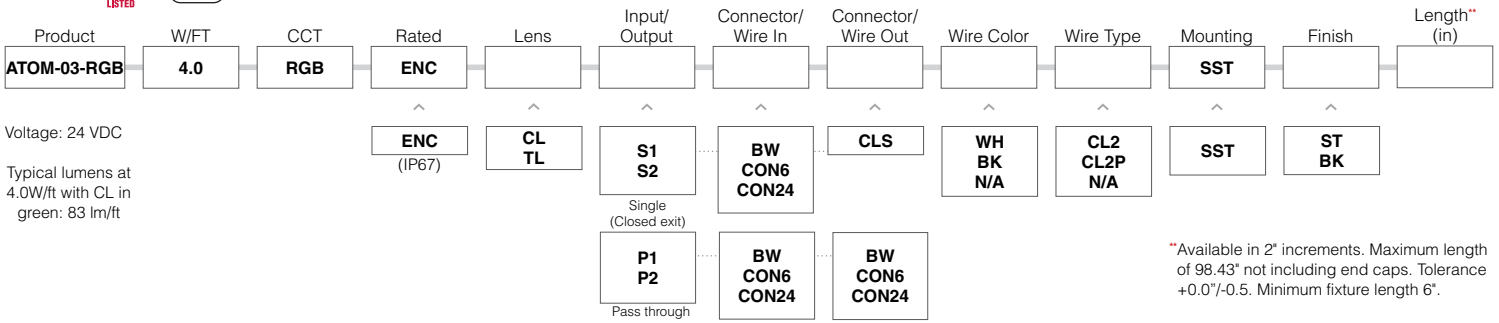
- If selecting **BRL**, select **N/A** for wire color and type
- **BW** comes in standard 24"- request custom length (Max 120") by writing it in inches next to "BW" in the order code box (ex. BW48)
- **Connector/Wire In or Out** not needed to specify product. Standard configuration is Type S1, Connector/Wire In: BW & Connector/Wire Out: CLS
- Specify **CL2P** for plenum rated wire

- 5 year warranty
- Field modifications void warranty
- Data subject to change, all data has +/- 5% tolerance
- Compatible for use with Q-Tran power supplies

ATOM-ENCAPSULATED (03) Linear Fixtures - MICRO 5 SERIES



RGB



- **BW** comes in standard 24"- request custom length (Max 120") by writing it in inches next to "BW" in the order code box (ex. BW48)
- **Connector/Wire In or Out** not needed to specify product. Standard configuration is Type S1, Connector/Wire In: BW & Connector/Wire Out: CLS
- Specify **CL2P** for plenum rated wire

- 5 year warranty
- Field modifications void warranty
- Data subject to change, all data has +/- 5% tolerance
- Compatible for use with Q-Tran power supplies

Technical Information Delivered lumens

Static White [Calculated L70 = 70000 hrs]
Tested with ATOM-03-SW-**-30-DRY

SW	1.0W/FT		2.0W/FT		4.0W/FT	
	LM/FT	CRI	LM/FT	CRI	LM/FT	CRI
CL	34	97	91	98	202	98
TL	28	95	74	95	163	95

Dynamic White [Calculated L70 = 70000 hrs]
Tested with ATOM-03-DW-4.0-**-DRY

DW	2400K		2700K		3000K		4000K	
	LM/FT	CRI	LM/FT	CRI	LM/FT	CRI	LM/FT	CRI
TL	79	93	86	93	83	95	91	97

RGB [Calculated L70 = 55000 hrs]
Tested with ATOM-03-RGB-4.0-RGB-DRY

RGB	Red		Green		Blue	
	LM/FT	Wavelength	LM/FT	Wavelength	LM/FT	Wavelength
CL	26	630	83	523	25	470
TL	20	629	59	522	19	469

Temperature Ratings

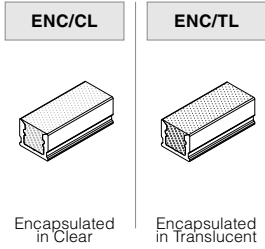
Wattage	Mounting	Minimum Limit (°F)	Maximum Limit (°F)
1W/ft	Surface Mount	-4	130
	Millwork	-4	122
2W/ft	Surface Mount	-4	122
	Millwork	-4	113
4W/ft	Surface Mount	-4	113
	Millwork	-4	104

ATOM-ENCAPSULATED (03) Linear Fixtures - MICRO 5 SERIES



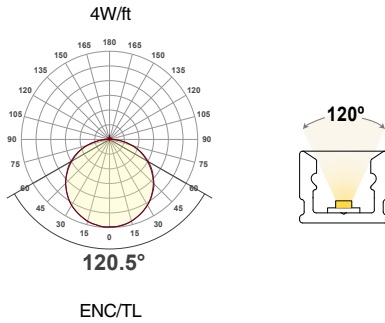
Lens

with LED visibility



Beam Angle

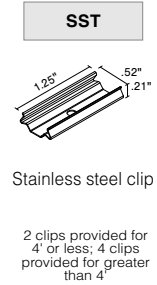
NOTE: Nominal beam spread shown, beam spread varies based on light engine. For more detailed information, see IES PDF file.



Finish

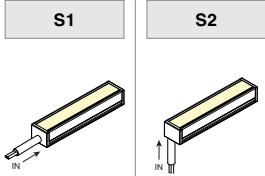


Mounting

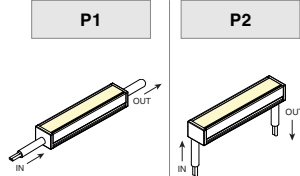


Input/Output

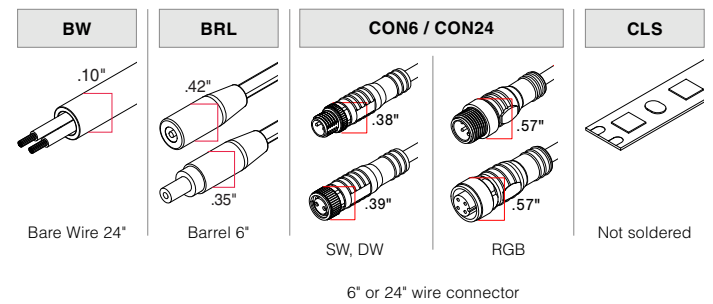
SINGLE (Input only)



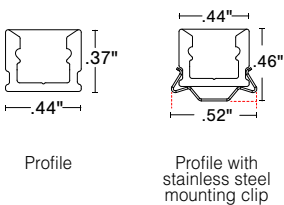
PASS THROUGH (Input/Output)



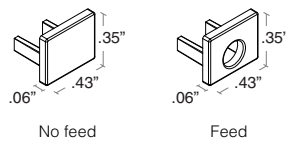
Connector/Wire – In/Out



Dimensions



End Caps



Light Engine Spacing Detail

