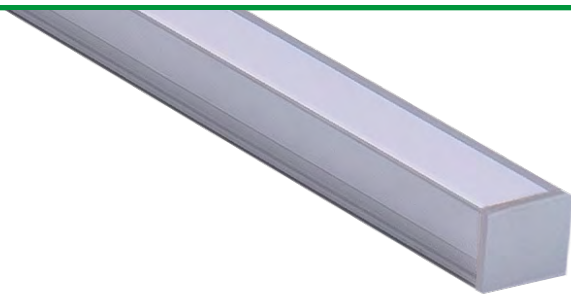


# ATOM-FLAT (01)

Linear Fixtures - MICRO 5 SERIES



Synonymous with its name, the new ATOM-FLAT (01) Micro 5 Series is 60% smaller than TORQ making it one of Q-Tran's smallest linear fixtures. ATOM's modern and discreet design is complemented by a sleek flat lens that delivers a superior uniform light output and luminosity, making it ideal for surface-mounted or recessed installations that call for low-profile light in small areas. Available in satin or black finishes and frosted or diffused lenses.

## Part Number Builder

Static White



Product	W/FT	CCT	Rated	Lens	Input/Output	Connector/Wire In	Connector/Wire Out	Wire Color	Wire Type	Mounting	Finish	Length* (in)
ATOM-01-SW										SST		
Voltage: 24 VDC Typical lumens at 4.0W/ft with DF lens at 3000K: 164 lm/ft	1.0 2.0 4.0	20 22 24 27 30 35 40	DRY (IP20)  DMP (IP54)	FR DF	S1 S2 S3 S4 Single (Closed exit) P1 P2 P3 P4 Pass through	BW BRL CON6 CON24  BW BRL CON6 CON24	CLS  BW BRL CON6 CON24	WH BK N/A	CL2 CL2P N/A	SST  SST	ST BK	

\*Available in 1" increments. Maximum length of 98.43" not including end caps. Tolerance +0.0"/-0.5. Minimum fixture length 6".

## Dynamic White



Product	W/FT	CCT	Rated	Lens	Input/Output	Connector/Wire In	Connector/Wire Out	Wire Color	Wire Type	Mounting	Finish	Length** (in)
ATOM-01-DW	4.0									SST		
Voltage: 24 VDC Typical lumens at 4.0W/ft with DF lens at 3000K: 80 lm/ft		20/27 20/30 27/40 27/55	DRY (IP20)	FR DF	S1 S2 S3 S4 Single (Closed exit) P1 P2 P3 P4 Pass through	BW CON6 CON24  BW CON6 CON24	CLS  BW CON6 CON24	WH BK N/A	CL2 CL2P N/A	SST  SST	ST BK	

\*\*Available in 2" increments. Maximum length of 98.43" not including end caps. Tolerance +0.0"/-0.5. Minimum fixture length 6".

- If selecting **BRL**, select **N/A** for wire color and type
- **BW** comes in standard 24"- request custom length (Max 120") by writing it in inches next to "BW" in the order code box (ex. BW48)
- **Connector/Wire In or Out** not needed to specify product. Standard configuration is Type S1, Connector/Wire In: BW & Connector/Wire Out: CLS
- Specify **CL2P** for plenum rated wire

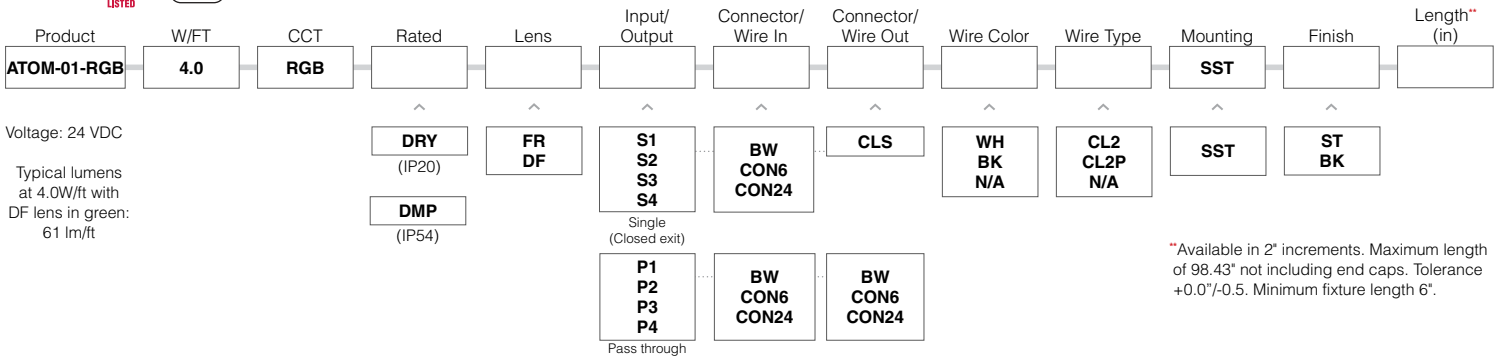
- 5 year warranty
- Field modifications void warranty
- Data subject to change, all data has +/- 5% tolerance
- Compatible for use with Q-Tran power supplies
- Suitable for installation in the storage area of a clothes closet when using wattage of 2.0W/ft or less
- Title 24 – JA8-2019 Static White Strip: All wattages, CCT and IP

# ATOM-FLAT (01)

Linear Fixtures - MICRO 5 SERIES



RGB **5 YEAR WARRANTY**



- **BW** comes in standard 24"- request custom length (Max 120") by writing it in inches next to "BW" in the order code box (ex. BW48)
- **Connector/Wire In or Out** not needed to specify product. Standard configuration is Type S1, Connector/Wire In: BW & Connector/Wire Out: CLS
- Specify **CL2P** for plenum rated wire

- 5 year warranty
- Field modifications void warranty
- Data subject to change, all data has +/- 5% tolerance
- Compatible for use with Q-Tran power supplies

## Technical Information Delivered lumens

**Static White** [Calculated L70 = 70000 hrs]  
 Tested with ATOM-01-SW-\*\*-30-DRY

SW	1.0W/FT		2.0W/FT		4.0W/FT	
	LM/FT	CRI	LM/FT	CRI	LM/FT	CRI
FR	74	97	148	98	297	98
DF	44	98	84	98	164	98

**Dynamic White** [Calculated L70 = 70000 hrs]  
 Tested with ATOM-01-DW-4.0-\*\*-DRY

DW	2000K		2700K		3000K		4000K		5500K	
	LM/FT	CRI	LM/FT	CRI	LM/FT	CRI	LM/FT	CRI	LM/FT	CRI
FR	123	93	135	98	145	98	149	98	158	97
DF	72	93	78	98	80	98	85	98	89	97

**RGB** [Calculated L70 = 55000 hrs]  
 Tested with ATOM-01-RGB-4.0-RGB-DRY

RGB	Red		Green		Blue	
	LM/FT	Wavelength	LM/FT	Wavelength	LM/FT	Wavelength
FR	32	629	101	523	30	470
DF	21	631	61	523	19	471

## Temperature Ratings

Mounting	Minimum Limit (°F)	Maximum Limit (°F)
Millwork	-40	95
Surface Mount	-40	104

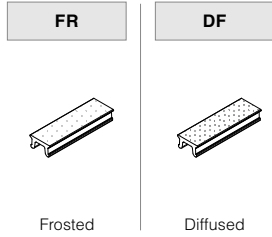
# ATOM-FLAT (01)

Linear Fixtures - MICRO 5 SERIES



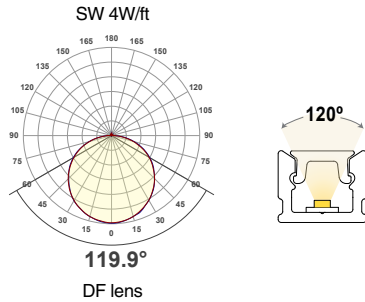
## Lens

with LED visibility



## Beam Angle

NOTE: Nominal beam spread shown, beam spread varies based on light engine. For more detailed information, see IES PDF file.



## Finish

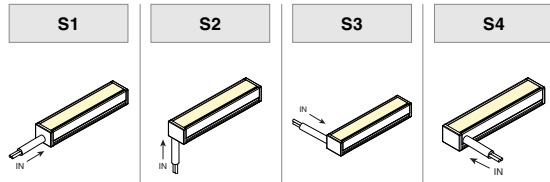


## Mounting

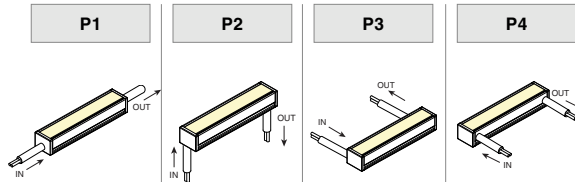


## Input/Output

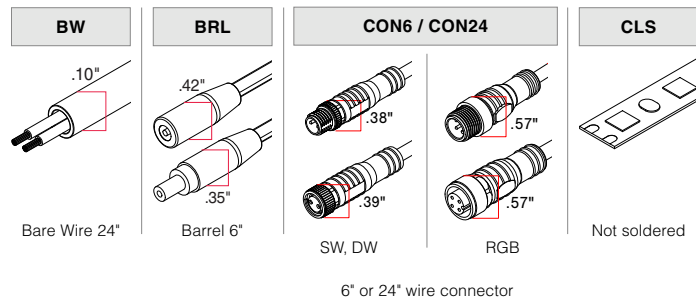
SINGLE (Input only)



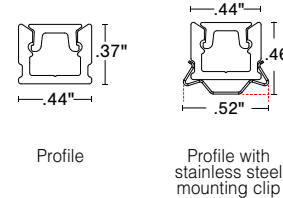
PASS THROUGH (Input/Output)



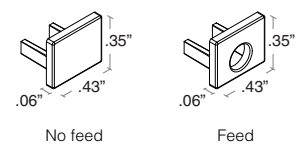
## Connector/Wire – In/Out



## Dimensions



## End Caps



## Light Engine Spacing Detail

