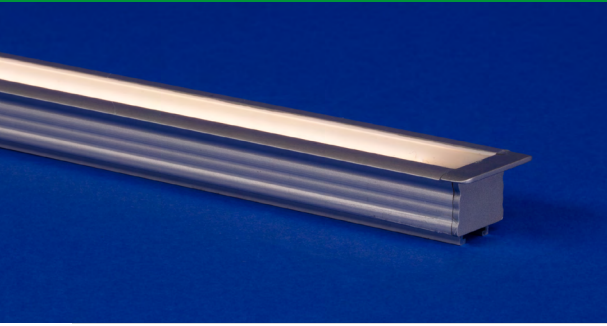


EMBD-ENCAPSULATED (03) Linear Fixtures



EMBD Encapsulated is a recessed-mount linear fixture that integrates with millwork and other wall styles. Its specification-grade construction is compatible with assortment of LED light engines. Encapsulated with polyurethane for indoor and outdoor locations (IP67), with options to a create clear or translucent lens. EMBD's outer trim sits flush to the surface and recesses in at a depth of 0.77" with the magnet mounting clip, and 1.27" with the spring mount clip. Each unit has power leads from one or both sides of the housing for multi-unit connection.

Part Number Builder

Static White



Product	W/FT	CCT	Rated	Efficiency	Lens	Input/Output	Connector/Wire In	Connector/Wire Out	Wire Color	Wire Type	Mounting	Finish	Length* (in)
EB3SW			ENC	STD								ST	
Voltage: 24 VDC	1.5 3.0 4.0 5.0	22 24 27 30 35 40	ENC (IP67)	STD Standard	CL TL	S1 S2	BW BRL CON6 CON24	CLS	WH BK N/A	CL2 CL2P N/A	SP MG	ST	
Typical lumens at 5.0W/ft with CL at 3000K: 281 lm/ft						Single (Closed exit)							
						P1 P2	BW BRL CON6 CON24	BW BRL CON6 CON24					
						Pass through							

*Available in 1" increments, maximum length of 98.43" not including end caps. Tolerance +0.0"/-0.5. Minimum fixture length 6".

Static White High Efficacy



Product	W/FT	CCT	Rated	Efficiency	Lens	Input/Output	Connector/Wire In	Connector/Wire Out	Wire Color	Wire Type	Mounting	Finish	Length* (in)
EB3SW			ENC	STD								ST	
Voltage: 24 VDC	1.5HE 3.0HE 6.0HE	24 27 30 35 40	ENC (IP67)	STD Standard	CL TL	S1 S2	BW BRL CON6 CON24	CLS	WH BK N/A	CL2 CL2P N/A	SP MG	ST	
Typical lumens at 6.0W/ft with CL at 3000K: 478 lm/ft						Single (Closed exit)							
						P1 P2	BW BRL CON6 CON24	BW BRL CON6 CON24					

*Available in 2" increments, maximum length of 98.43" not including end caps. Tolerance +0.0"/-0.5. Minimum fixture length 6".

- If selecting **BRL**, select N/A for wire color and type
- **BW** comes in standard 24" - request custom length (Max 120") by writing it in inches next to "BW" in the order code box (ex. BW48)
- **Connector/Wire In or Out** not needed to specify product. Standard configuration is Type S1, Connector/Wire In: BW & Connector/Wire Out: CLS
- Specify **CL2P** for plenum rated wire

- 5 year warranty
- Field modifications void warranty
- Data subject to change, all data has +/- 5% tolerance
- Compatible for use with Q-Tran power supplies
- UL 2108: Type IC recessed inherently protected
- Suitable for installation in drywall

EMBD-ENCAPSULATED (03) Linear Fixtures



Dynamic White



Product	W/FT	CCT	Rated	Efficiency	Lens	Input/ Output	Connector/ Wire In	Connector/ Wire Out	Wire Color	Wire Type	Mounting	Finish	Length* (in)
EB3DW	6.0	24/30	ENC	STD								ST	
Voltage: 24 VDC													
	6.0	24/30	ENC (IP67)	STD Standard	CL TL	S1 S2 Single (Closed exit)	BW CON6 CON24	CLS	WH BK	CL2 CL2P	SP MG	ST	
Typical lumens at 6.0W/ft with CL at 3000K: 162 lm/ft													

*Available in 2" increments, maximum length of 98.43" not including end caps. Tolerance +0.0"/-0.5. Minimum fixture length 6".

Dynamic White High Efficacy



Product	W/FT	CCT	Rated	Efficiency	Lens	Input/ Output	Connector/ Wire In	Connector/ Wire Out	Wire Color	Wire Type	Mounting	Finish	Length* (in)
EB3DW			ENC	STD								ST	
Voltage: 24 VDC													
	3.0HE 5.0HE	24/30 27/40	ENC (IP67)	STD Standard	CL TL	S1 S2 Single (Closed exit)	BW CON6 CON24	CLS	WH BK	CL2 CL2P	SP MG	ST	
Typical lumens at 5.0W/ft with CL at 3000K: 174 lm/ft													

*Available in 2" increments, maximum length of 98.43" not including end caps. Tolerance +0.0"/-0.5. Minimum fixture length 6".

Static Color



Product	W/FT	CCT	Rated	Efficiency	Lens	Input/ Output	Connector/ Wire In	Connector/ Wire Out	Wire Color	Wire Type	Mounting	Finish	Length* (in)
EB3SC	5.0		ENC	STD								ST	
Voltage: 24 VDC													
	5.0	GR BL RD AB	ENC (IP67)	STD Standard	CL TL	S1 S2 Single (Closed exit)	BW BRL CON6 CON24	CLS	WH BK N/A	CL2 CL2P N/A	SP MG	ST	
Typical lumens at 5.0W/ft with CL in green: 349 lm/ft													




*Available in 2" increments, maximum length of 98.43" not including end caps. Tolerance +0.0"/-0.5. Minimum fixture length 6".

- If selecting **BRL**, select N/A for wire color and type
- **BW** comes in standard 24" - request custom length (Max 120") by writing it in inches next to "BW" in the order code box (ex. BW48)
- **Connector/Wire In or Out** not needed to specify product. Standard configuration is Type S1, Connector/Wire In: BW & Connector/Wire Out: CLS
- Specify **CL2P** for plenum rated wire

- 5 year warranty
- Field modifications void warranty
- Data subject to change, all data has +/- 5% tolerance
- Suitable for installation in drywall
- Compatible for use with Q-Tran power supplies
- Florida Fish and Wildlife Conservation Commission (FWC) rated Strips: Red and Amber
- UL 2108: Type IC recessed inherently protected




EMBD-ENCAPSULATED (03) Linear Fixtures



RGB   **5 YEAR WARRANTY** 




Product	W/FT	CCT	Rated	Efficiency	Lens	Input/ Output	Connector/ Wire In	Connector/ Wire Out	Wire Color	Wire Type	Mounting	Finish	Length* (in)
EB3RGB	6.0	RGB	ENC	STD								ST	
Voltage: 24 VDC													
	6.0	RGB	ENC (IP67)	STD Standard	CL TL	S1 S2 Single (Closed exit)	BW CON6 CON24	CLS	WH BK	CL2 CL2P	SP MG	ST	
Typical lumens at 6.0W/ft CL in green: 125 lm/ft													

*Available in 2" increments, maximum length of 98.43" not including end caps. Tolerance +0.0"/-0.5. Minimum fixture length 6".

RGBW   **5 YEAR WARRANTY** 

Product	W/FT	CCT	Rated	Efficiency	Lens	Input/ Output	Connector/ Wire In	Connector/ Wire Out	Wire Color	Wire Type	Mounting	Finish	Length* (in)
EB3RGBW	6.0		ENC	STD								ST	
Voltage: 24 VDC													
	6.0	27 30	ENC (IP67)	STD Standard	CL TL	S1 S2 Single (Closed exit)	BW CON6 CON24	CLS	WH BK	CL2 CL2P	SP MG	ST	
Typical lumens at 6.0W/ft CL at 3000K: 61 lm/ft													

*Available in 4" increments, maximum length of 98.43" not including end caps. Tolerance +0.0"/-0.5. Minimum fixture length 6".

RGBW High Efficacy   **5 YEAR WARRANTY** 

Product	W/FT	CCT	Rated	Efficiency	Lens	Input/ Output	Connector/ Wire In	Connector/ Wire Out	Wire Color	Wire Type	Mounting	Finish	Length* (in)
EB3RGBW	4.0HE		ENC	STD								ST	
Voltage: 24 VDC													
	4.0HE	27 30 35 40	ENC (IP67)	STD Standard	CL TL	S1 S2 Single (Closed exit)	BW CON6 CON24	CLS	WH BK	CL2 CL2P	SP MG	ST	
Typical lumens at 4.0W/ft with CL at 3000K: 58 lm/ft													

*Available in 2" increments, maximum length of 98.43" not including end caps. Tolerance +0.0"/-0.5. Minimum fixture length 6".

- **BW** comes in standard 24"- request custom length (Max 120") by writing it in inches next to "BW" in the order code box (ex. BW48)
- **Connector/Wire In or Out** not needed to specify product. Standard configuration is Type S1, Connector/Wire In: BW & Connector/Wire Out: CLS
- Specify **CL2P** for plenum rated wire

- 5 year warranty
- Field modifications void warranty
- Data subject to change, all data has +/- 5% tolerance
- Compatible for use with Q-Tran power supplies
- UL 2108: Type IC recessed inherently protected
- Suitable for installation in drywall

EMBD-ENCAPSULATED (03) Linear Fixtures



Technical Information

Static White [Calculated L70 = 70000 hrs]
Tested with EB3SW-**-30-DRY-STD

	1.5W/FT	3.0W/FT	4.0W/FT	5.0W/FT
	LM/FT	LM/FT	LM/FT	LM/FT
CL	107	186	231	281
TL	86	150	187	227

Static White High Efficacy

[Calculated L70 = 70000 hrs]
Tested with EB3SW-**-30-DRY-STD

	1.5HEW/FT	3.0HEW/FT	6.0HEW/FT
	LM/FT	LM/FT	LM/FT
CL	138	252	478
TL	111	204	386

Dynamic White [Calculated L70 = 70000 hrs]
Tested with EB3DW-6.0-**-DRY-STD

	3000K
	LM/FT
CL	162
TL	131

Dynamic White High Efficacy [Calculated L70 = 70000 hrs]
Tested with EB3DW-**-30-DRY-STD

	3.0W/FT	5.0W/FT
	LM/FT	LM/FT
CL	110	174
TL	89	141

Static Color [Calculated L70 = 30000 hrs]
Tested with EB3SC-5.0-**-DRY-STD

	Red	Green	Blue	Amber
	LM/FT	LM/FT	LM/FT	LM/FT
CL	64	349	91	58
TL	52	282	73	47

RGB [Calculated L70 = 55000 hrs]
Tested with EB3RGB-6.0-RGB-DRY-STD

	Red	Green	Blue
	LM/FT	LM/FT	LM/FT
CL	62	125	35
TL	50	101	29

RGBW [Calculated L70 = 30000 hrs]
Tested with EB3RGBW-6.0-30-DRY-STD

	Red	Green	Blue	3000K
	LM/FT	LM/FT	LM/FT	LM/FT
CL	23	77	20	61
TL	19	62	16	50

RGBW High Efficacy [Calculated L70 = 70000 hrs]
Tested with EB3RGBW-4.0HE-30-DRY-STD

	Red	Green	Blue	3000K
	LM/FT	LM/FT	LM/FT	LM/FT
CL	25	95	20	58
TL	20	77	17	47

Temperature Ratings

Dependent on LED Strip W/FT

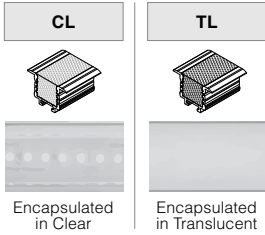
Light Engine (LED Strip)	W/FT	Minimum Limit (°F)	Maximum Limit (°F)
Static White	1.5	-40	138
	3.0	-40	124
	4.0	-40	115
	5.0	-40	108
Static White High-Efficacy	1.5HE	-40	152
	3.0HE	-40	140
	6.0HE	-40	118

EMBD-ENCAPSULATED (03) Linear Fixtures

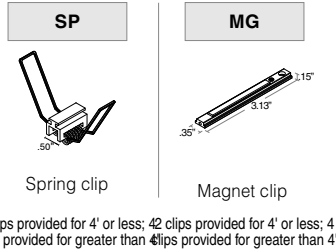


Lens

with LED visibility



Mounting

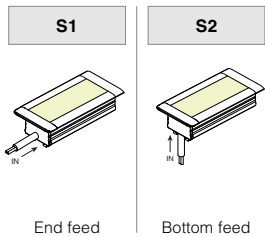


Finish

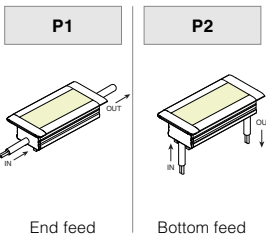


Type

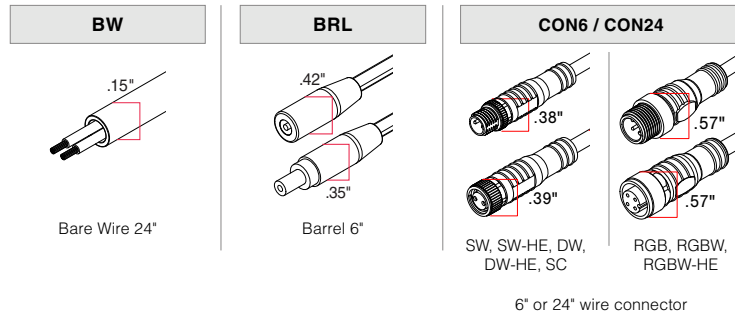
SINGLE (Input only)



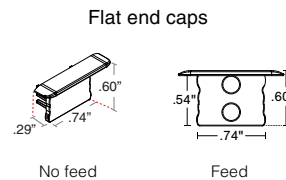
PASS THROUGH (Input/Output)



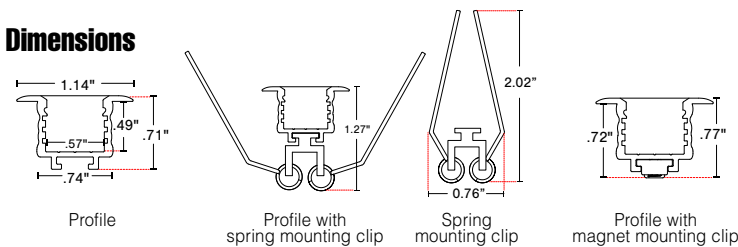
Connector/Wire – In/Out



End Caps



Dimensions



Length (in) Add to nominal LED length for fixture length

