

PROJECT NAME:	APPROVED BY:
CATALOG NO:	TYPE NO:

TELESIS - TCS SERIES COMPACT LED

Emergency Light for Wet Location

The Telesis TCSWL provides high performance MR16 LED lamps in an economical gray housing for wet location and NEMA 4X applications.

Construction

- Compact low profile design
- High impact injection molded thermoplastic, 5VA rated flame retardant ABS in Gray housing
- Fully gasketed clear polycarbonate cover offers protection against water splashing, water spray and non-hazardous dust
- Universal knockout pattern for wall mount, housing snap-fits to make electrical connections

Electrical

- Fully automatic operation turns on the emergency lamps on failure of normal power and automatically recharges the battery on restoration of normal power
- Lead calcium battery 6 Volt maintenance free, rechargeable sealed lead acid battery
- 3.3 watt LED lamps provide 120 minute operation
- Field selectable 120 or 277VAC input
- Operating temperature range is 20° to 40° C
- Constant voltage two rate charger recharges the battery in 24 hours
- Momentary test switch and AC on indicator
- Line latch prevents unnecessary discharge of battery during installation, loads will not illuminate until after application of utility power
- Low voltage cut-off prevents battery damage and ensures positive charge acceptance following an extensive discharge
- Brownout sensing assures emergency operation during periods of low line voltage
- Damp location environmentally coated circuitry as standard



Illumination

- Two fully adjustable low profile 3.3 watt LED lampheads are standard
- 3.3 watt LED lamps provide 219 lumens each

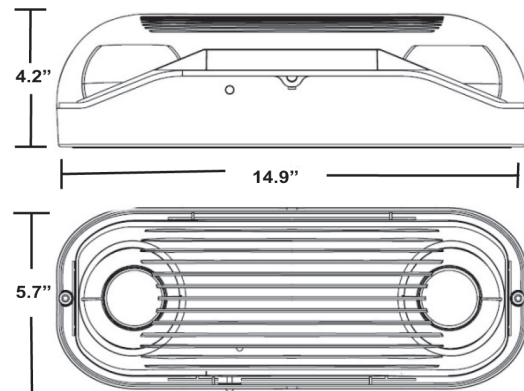
Certification

- Meets UL924, NFPA 101 Life Safety Code, NFPA 70-NEC, and OSHA requirements
- UL924 listed for wet location 20° to 40° C



Warranty

- Five year limited warranty (see full warranty sheet for details), battery pro-rated for two years



TCSWL dimensions

ORDERING GUIDE – TCSWL

Example: TCSWL-L63-CW

Model	Lighting Heads	Housing Color	Options
TCSWL Telesis TCS Emergency Light Wet Location Listed	L63 6V 3.3W LED MR16 lampheads	* TCSWL is supplied in industrial Gray Housing only. Interior unit is white finish standard	US Assembled in the USA H* Internal Battery Heater (-9° to 40°C) CW* Cold Weather Package (- 25° to 40°C) CEC Title 20 Compliant <i>*Can have either H or CW but not both</i>
TCSWL			

Fill in fields from categories above and complete type and part number.

Type Number:

Full Part Number: