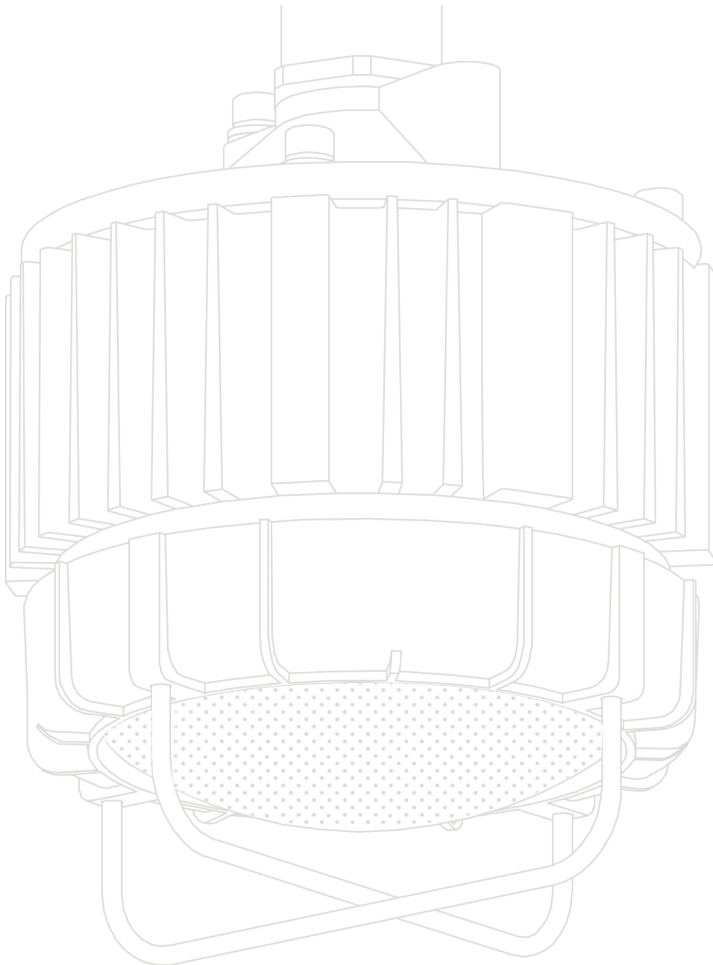
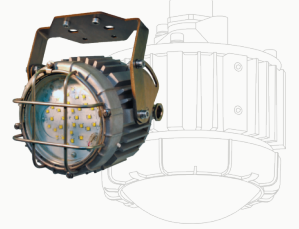


A R C U S

OPR-HL LED LUMINAIRES

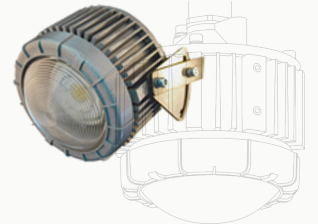


OPPR™ FOR EX



EXPLOSION PROOF 

OPPR™ FOR HL



HAZARDOUS LOCATION 

OPPR™ FOR IL



INDUSTRIAL LOCATION 

SPECIFICATION

MODEL WATTAGE	36W	60W
LUMEN OUTPUT	5200 LM (GM)* 4900 LM (XPC)*	8700 LM (GM)* 8100 LM (XPC)*
DIMENSIONS	6.9 X 5.8 IN (176 X 147 MM)	8.3 X 7.0 IN (212 X 177 MM)
NET FIXTURE WEIGHT	4.4 LBS (2.1 KG)/ 5.3 LBS (2.4 KG)	9.25 LBS (4.2 KG)/ 8.4 LBS (3.8 KG)
ENCLOSURE MATERIAL	Copper free aluminum alloy	
FINISH	Polyester powder coat finish	
HARDWARE AND MOUNTING	Marine grade stainless steel parts and screws	
CABLE GLANDS AND CONNECTORS	Classified for CID2 nickel plated brass adapter from M20 to 3/4" with 6 feet of wire	
LENS	Military Grade UL94 V-0 rated Lexan/Tempered clear borosilicate glass	
LIGHT SOURCE	Samsung LEDs R1	
COLOR RENDITION INDEX (CRI)	> 70	
INPUT POWER (+25°C)	36W	60W
FIXTURE EFFICIENCY	140 LPW (GM) 135 LPW (XPC) CUSTOM MADE	145 LPW (GM) 135 LPW (XPC) MEANWELL
LED DRIVER	120-277VAC/230-370VDC SHORT CIRCUIT, OVER TEMPERATURE, OVER VOLTAGE	90-295 VAC/127-417VDC SHORT CIRCUIT, OVER TEMPERATURE
LED DRIVER PROTECTION	1 KV	2 KV
SURGE PROTECTION	> 0.95	> 0.95
POWER FACTOR	<30%	<20%
THD (total harmonic distortion)	27A	45A
INRUSH CURRENT	-40°C TO +55°C	-40°C TO +45°C
AMBIENT OPERATING TEMPERATURE	T5 (+55°C), T6 (+50°C)	T6 (+45°C)
T-RATING FOR (+55°C)	70 000 HOURS	100 000 HOURS
FIXTURE LIFE (+25°C)	40 000 HOURS	50 000 HOURS (+45°C)
FIXTURE LIFE (+55°C)	N/A	N/A
FIXTURE LIFE (+65°C)	5 YEAR	5 YEAR
WARRANTY		

* - Measurement tolerance +/- 10%

ETL/cETL CERTIFIED TO:

UL 844 Suitable for (Classified) for Hazardous Locations
 UL 1598 Suitable for Wet Locations
 UL 1598A Marine Outside Type (Saltwater)
 CSA C22.2 No. 250.0
 CSA C22.2 No. 137
 IP66 rated per IEC 60598-1 |
 -40°C to +55°C

APPROVED FOR:

Class I Division 2 Groups A, B, C, D
 Class I Zone 2 Group IIB
 Class II Division 1 and 2 Groups E, F
 Class II Zone 20, 21, or 22 Group IIB
 Class III
 1Ex d IIC T5 | -40°C to +55°C

ARCUS OPR-HL LED BENEFITS:

- Instant on/no warm up
- Extreme compact size and weight
- Energy-efficient/up to 65% savings when compared to traditional HID lighting
- Up to 23 years (at 12hrs a day) of light, eliminating bulb and ballast replacement maintenance
- Operating ambient -40°C to +55°C*
- 5 year warranty
- High CRI for improved visibility and clarity
- Damn near bullet proof

APPLICATION

- Low-Bay Lighting
- CID2 Hazardous Locations
- Locations requiring continuous and consistent light levels in extreme heat or cold.
- Hazardous Storage
- Marine, Engine rooms
- Energy, Gas & Oil
- Manufacturing
- Wastewater



ORDERING INFORMATION: PART NUMBER EXAMPLE OPR-HL-SB-XPC-RV-120-5K-36W- S

- 1 OPR
- 2 HL
- 3 SB
- 4 XPC
- 5 RV
- 6 120
- 7 5K
- 8 36W
- 9 S

DETAILED INFORMATION

<p>2 FAMILY NAME ENCLOSURE TYPE</p> <p>HL Hazardous Locations Rated Body</p> <p>HLL Hazardous Locations Extra-large Body</p>	<p>3 MOUNTING</p> <p>SB Swivel Bracket (Standard)</p> <p>PM Pendant Mount</p>	<p>4 REFLECTOR (LENS)</p> <p>GM Borosilicate glass and mesh guard</p> <p>XPC Extreme polycarbonate lens</p>	<p>5 VOLTAGE</p> <p>RV 120-277 VAC, 50/60 Hz</p>
<p>6 SECONDARY OPTICS</p> <p>120° Full Flood (No Optics - Standard)</p>	<p>7 COLOR TEMPERATURE</p> <p>3K 3000K</p> <p>4K 4000K</p> <p>5K 5000K</p>	<p>8 WATTAGE</p> <p>36W</p> <p>60W</p>	<p>9 BODY COLOR</p> <p>S Silver (Standard)</p>

PROJECT INFORMATION

PROJECT NAME:

LOCATION:

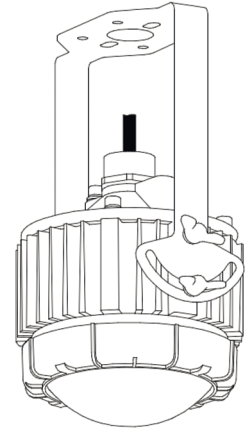
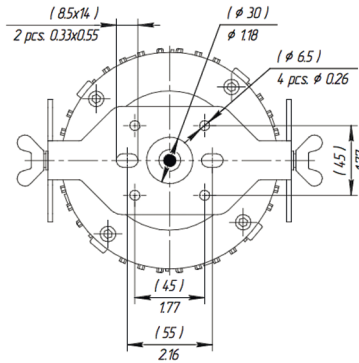
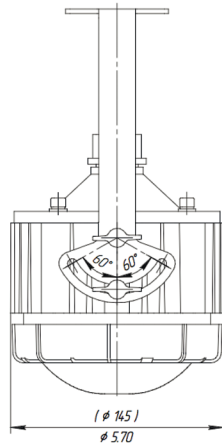
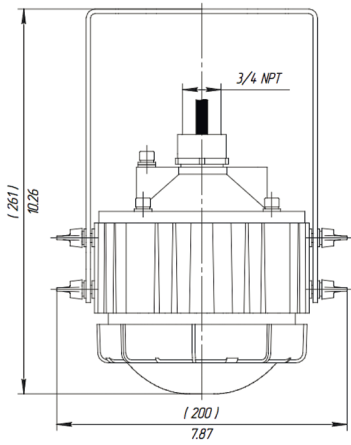
DESCRIPTION:

CONTACT INFORMATION:

<p>NAME:</p>	<p>E-MAIL:</p>
<p>PHONE:</p>	<p>DATE:</p>

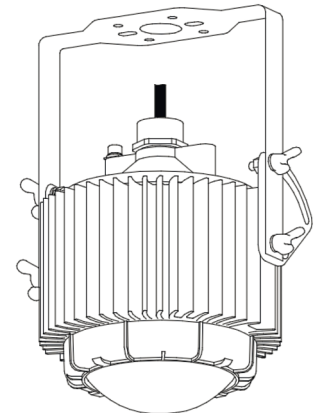
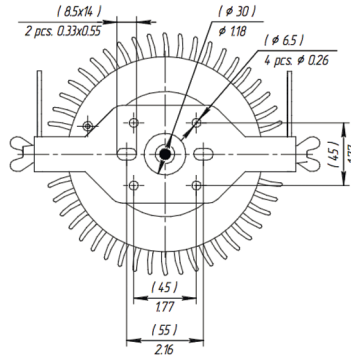
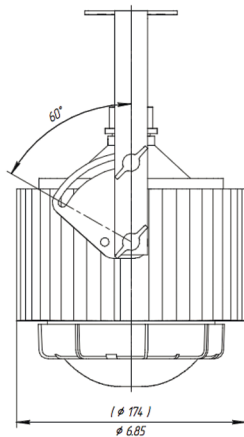
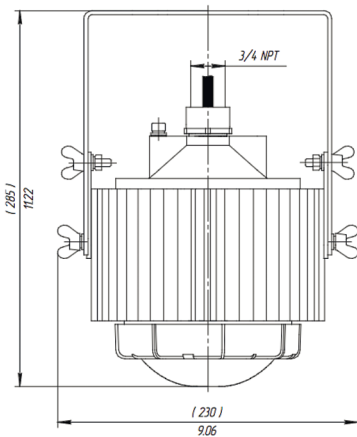
OPR-HL-SB 36W

FIXTURE WEIGHT:
5,64 (XPC) lb (2,57 (XPC) kg)



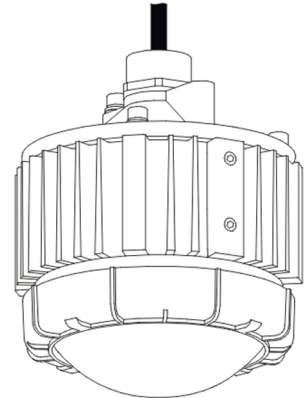
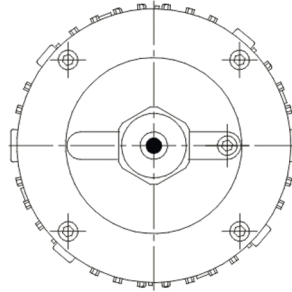
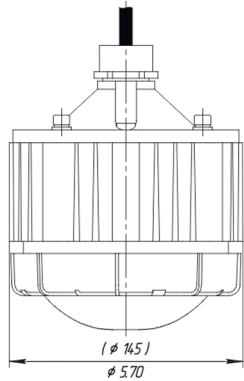
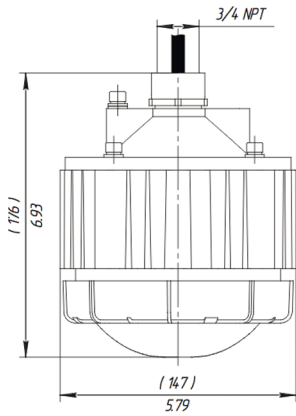
OPR-HLL-SB 60W

FIXTURE WEIGHT:
9,8 (XPC) lb (4,27 (XPC) kg)



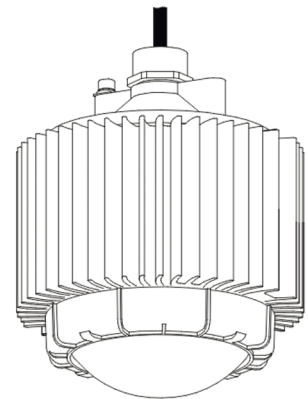
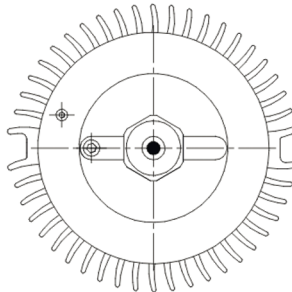
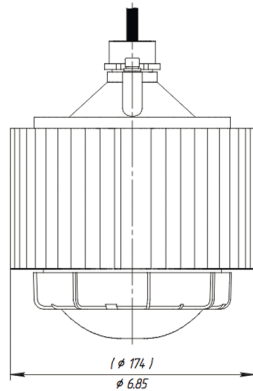
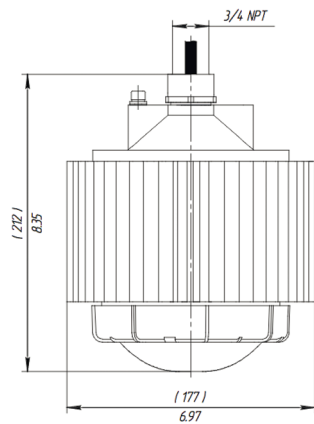
OPR-HL-PM 36W

FIXTURE WEIGHT:
4,6 (XPC) lb (2,1 (XPC) kg)



OPR-HLL-PM 60W

FIXTURE WEIGHT:
8,4 (XPC) lb (3,8 (XPC) kg)





CONTACTS

(858) 353-1073

SALES@ARCUSLIGHT.COM

10457 ROSELLE STREET, SUITE #E
SAN DIEGO, CA 92121