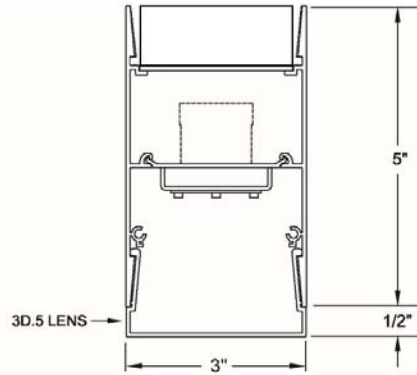




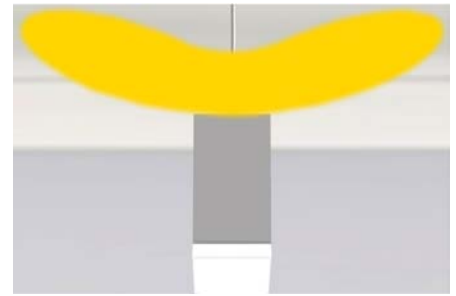
Click or scan QR code to view latest spec sheet



Revision Date: November 08, 2023
Gammalux Lighting Systems reserves the right to change details of fixture designs and construction at any time.



LED LAMPING | **MR16 AVAILABLE**
SEE ADDENDUM



Click photo to view product page
Page 1: Overview & Nomenclature
Pages 2-3: Specifications
Pages 4-6: Photometric Info / Downloads
Page 7: Mounting Details
Pages 9-12: Custom Programming

Product Overview (for complete specifications, see pages 2 & 3) *****NEW***** See last page for **APPROVED CUT RELEASE**.

NEW GradientGuide Optic: Why specify Gammalux GradientGuide Optic?

Simply stated, Gammalux understood the necessity to "tame" the intensity of LEDs in indirect lighting applications. By refracting the light output from multiple LED sources through a proprietary optical array, we created optimal near-field photometry. The result: a beautiful, smooth, even ceiling gradient illumination along with an extremely wide distribution and a reduction in overall source brightness. Oh, BTW, we also eliminated the harsh striations and cut-off found in typical batwing designs. Is our new GradientGuide Optic better than a "batwing"? **You be the judge.** Gammalux understands quality of light, & what's important for "your design intent"!

Construction: ARRA, RoHS, REACH and Prop 65 compliant. Extruded aluminum housing for superior fit and finish. Runs and patterns have a single item # and can be built to field dims. Lower lens available with optional End Glow.

Electrical: LED components by major manufacturers, may be upgraded in the field to increase energy efficiency. Fixtures can be fitted with specialty LED and control components (consult factory). Standard Output, High Output and Custom Output options available.

Standard Nomenclature

<p>Manufacturer Gammalux</p> <p>Cross Section (nom) 3" x 5"</p> <p>Distribution Bi-Directional</p>	<p>Output S Standard Output H High Output V Very High Output C Custom Output (see addendum page)</p> <p>Color Temp. (nom) 27 2700K 30 3000K 30 3000K 35 3500K 40 4000K RGB* & RGBW_ _ _* in lower chamber only. Consult factory.</p> <p>Length Option N Nominal S Specific</p>	<p>Driver ZTV10 0-10V Dim to 10% For all options, see next page</p> <p>Run or Pattern Specify total run length (i.e. 43' 5 1/8") For illuminated patterns, follow overall length or dimensions with L, T, X, U, RECT or SQ (i.e. 43' 5 1/8" RECT or 10' X 10' SQ). If overall length or dims are unknown, use TBD and follow with L, T, X, U, RECT or SQ (i.e. TBD RECT or TBD SQ). Consult factory for complex or multi-plane patterns.</p>	<p>Mounting Method C Cable S Swivel Stem SEQ CA Earthquake Stems/Fittings WM Wall Mount, Flush WSP Wall Spacer, 1/2"</p> <p>Upper Shielding GGMS GradientGuide, Mid-range suspension, Symmetric Optic</p>	<p>Paint Colors W White (See color chart for other colors) CCM Custom Color Match For wood finishes, see addendum page</p>	<p>Paint Finish H High Gloss SG Semi-Gloss</p>
<p>GX3D35B2EG - 2/1SL358 - UNIV - ZTV10 - 4'N - C24" - GGMS/ASLMD3D.5 - WSG -</p>					
<p>Model 2nd Gen</p> <p>Series 3D</p> <p>End Detail (pg 8) EG End Glow (bottom only) FE Full End Cap</p>	<p>CRI** 8 for 80+ 9 for 90+</p> <p>Lamp LED</p> <p>Voltage 120V, 277V, UNIV</p> <p>LED Arrays in X-Sec 2/1 (for white only) 2/2 (for RGB or RGBW in lower lamp chamber only)</p>	<p>Suspension Length Distance to top of fixture. If not suspended, leave blank.</p>	<p>Options BPE Battery Pack (4' section) DL UL Damp Label EMERG Emergency Ckt 2CKT Dual Circuiting SBO Sensor By Others#</p> <p>Lower Shielding ASLMD3D.5 Acrylic Satin Lens, Medium Diffuse, 3D</p>		

** 90+ CRI increases watts nom. 14.5%. # Sensor by Others (consult factory).

Specifications (continued on next page)

Electrical

Output: Standard (**S**) and high (**H**) options deliver a pre-set lumen package (see chart below). Custom-programmed output (**C**) is specified as LPF, WPF or % of High Output (see Custom Programmed Output page).

Static Driver: eldoLED **Optotronic*** programmable driver, wired for static operation (**DVR**).

0-10V Dimming: eldoLED **Optotronic*** programmable driver, wired for 0-10v control and dimming to 10% (**ZTV10**) or to 1% (**ZTV1**).

Step Dimming: Generic step dimming driver, two hot inputs for 100% and 50% output (**SD2**).

DALI Dimming: Generic DALI driver with two loose control wires exiting fixture at power feed location (**DALI**).

Lutron Dimming: **Hi-Lume** dim to 1% EcoSystem with Soft-On, Fade-to-Black (**LDE1**).

White Emitter: Nichia 757G emitters* binned within 3 MacAdam ellipses in Osram or Gammalux proprietary array. 90+ CRI option with extended lead time (CRI code **9**) results in nominal 14.5% drop in efficacy; increase calculated watts 14.5%.

Battery Pack: Bodine **BSL10T3*** (**BPE**). 4W max input, 10W initial output, delivers min. 27% of High Output value per 4' length.

LED System: 70% lumen output (L70) at max 85 degrees C calculated at >60k hours. Fixtures are shipped with anti-static gloves to minimize the risk of damage to LEDs during installation. **5 year limited warranty**.

Sensors: Sensors are as specified, confirmed by Gammalux prior to factory quote. Examples are Enlighted **Micro Sensor**, Lutron **Athena Wireles Node**, Lutron **Vive**, Wattstopper **FS-205**.

Upgrade Capability: LED assemblies can be replaced in the future with the latest factory-provided and fully warranted components. On-board sensors, control interface devices and alternate LED components may be specified (consult factory). Fixtures bear UL & cUL Dry Location label. Damp Location label available (**DL**).

*Subject to availability; may be substituted by Gammalux. Components and specifications may be changed without notice.

LUMENS AND WATTS BY OUTPUT OPTION AND LED COLOR @ 80+ CRI*											
STANDARD OUTPUT LED						HIGH OUTPUT LED					
GGMS (UP) OVER ASLMD (DOWN)			DELIVERS: 973 LPF			GGMS (UP) OVER ASLMD (DOWN)			DELIVERS: 1297.3 LPF		
GGMS (UP) OVER ASLHD (DOWN)			DELIVERS: 863.4 LPF			GGMS (UP) OVER ASLHD (DOWN)			DELIVERS: 1151.2 LPF		
FOR VERY HIGH OUTPUT SEE PAGE 6											
CCT	2700 K	3000 K	3500 K*	4000 K	5000 K	CCT	2700 K	3000 K	3500 K*	4000 K	5000 K
WATTS / FT.	12.6	11.8	11.6	11.4	10.8	WATTS / FT.	17.2	16.4	16	15.6	14.8
* IES FILES WERE CREATED USING 3500 K DIODES @ 80+ CRI. WATTAGE IS MULTIPLIED BY 1.06 FOR 2700 K, 1.02 FOR 3000 K, .98 FOR 4000 K AND .93 FOR 5000 K DIODES TO MAINTAIN THE SAME DELIVERED LUMENS THROUGHOUT ALL COLOR TEMPERATURES. FOR 90+ CRI, INCREASE WATTAGE BY 14.5%. SEE ADDENDUM FOR CUSTOM PROGRAMMING.											

Construction

Housing: ARRA, RoHS, REACH and Prop 65 compliant. Extruded aluminum body 3.00" wide x 5.00" high, 6063T5, 0.070" min thickness. Each housing is 12' max unless longer housings are pre-coordinated with the factory to reduce joints and installation labor. Fixtures are built per approved factory drawings and tested as a complete system at the factory. Continuous runs and **patterns** are ordered, built and shipped with a single item #. Fixtures ordered as individuals are not designed to be joined together in the field.

Joiner System: Automatic alignment, no loose parts, one tool to tighten factory installed bolts for hairline seam. No light leaks.

Lamping: Patterns are fully illuminated. Runs ordered in Specific Length (Length Option **S**) will be built to the exact dimension shown on signature-approved shop drawings. Runs ordered in Nominal Length (Option **N**) may be factory-adjusted to accommodate standard mounting positions or grid centers. Factory drawings will show all dimensions of mounting and power feed locations. Fixtures built to less than 4' may require remote driver installation - consult factory.

Mounting: Aircraft cable is 7x7 stranded stainless steel with top end stopper fitting. Lower end is welded and ground for easy insertion into adjustable cable gripper (**C**). Feed cord is straight, white 3/C SVT or SJT #18 AWG. Stems are 3/8" schedule 40 pipe with top swivels (**S**). California UBC compliant stems with internal safety cables (**SEQ**).

Specifications (continued)

Optical

Reflectors: Shall be formed diffuse high reflectance aluminum.

GradientGuide Optic: Proprietary ultra-wide distribution array optimized for 12" to 24" suspension (**GGMS**).

Acrylic Satin Lens, Medium Diffuse: Snap-in. Shall be 100% DR acrylic (**ASLMD3D.5**) with optional End Glow feature.

See lens images on photometric pages.

Finish

Acid etched or clear anodized housing electrostatically sprayed with high solids aliphatic two component polyurethane high (**H**) or semi-gloss (**SG**) to an avg. thickness of 2 mils. Custom finish, consult factory. Wood Finishes, back page.



Packing and Shipping

Fixtures built for continuous rows and patterns are given a specific location identifier, clearly identified on factory layout drawings, the fixture's ID label, protective wrapping and on each end of fixture carton. Shipping pallets are built with 2" clearance, extending beyond the length and width of cartons, providing shipping protection.

Approx. weight of 4' module is 14 lbs. including carton. Weight of pallet and supplemental packing materials not factored in.

Optimized Optics

This product is optimized for the best ceiling illumination at 12" to 24" suspension.

**Photometric Reports for
STANDARD OUTPUT FIXTURES**

FIXTURE USES GGMS UP AND ASLMD3D.5 DOWN, 3500K LEDs @ 80+ CRI

IESNA: LM-63-2002
ISSUEDATE: 9/11/2019
TEST: 13014863.03 W/57452, SO, GGMS
TESTLAB: UL VERIFICATION SVCS, INC.
MANUFAC: GAMMALUX LTG SYS
LUMCAT: GX3D35B22/1SL358GGMS_ASMD3D.5
LAMPS: 336 WHITE LEDs

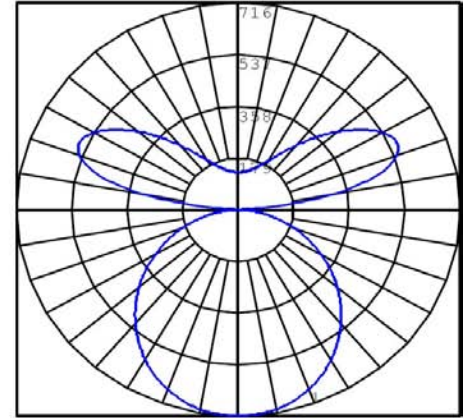
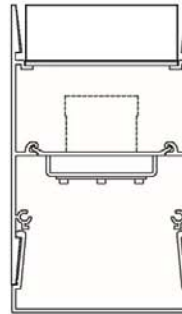
EFFICACY (TOTAL): 81.15 LPW
DISTRIBUTION % UP: 37.5% (340.8 LPF)
DISTRIBUTION % DN: 62.5% (568.1 LPF)
CIE CLASSIFICATION: SEMI-INDIRECT

LUMINOUS OPENING: RECTANGULAR
WIDTH: 3 in.
LENGTH: 48.5 in.

INPUT WATTS: 44.8 per 4'



Acrylic Satin Lens,
Medium Diffuse
(ASLMD)



FIXTURE USES GGMS UP AND ASLHD3D.5 DOWN, 3500K LEDs @ 80+ CRI

IESNA: LM-63-2002
ISSUEDATE: 9/11/2019
TEST: 13014863.03 W/57452, SO, GGMS, HD
TESTLAB: UL VERIFICATION SVCS, INC.
MANUFAC: GAMMALUX LTG SYS
LUMCAT: GX3D35B22/1SL358GGMS_ASMD3D.5
LAMPS: 336 WHITE LEDs

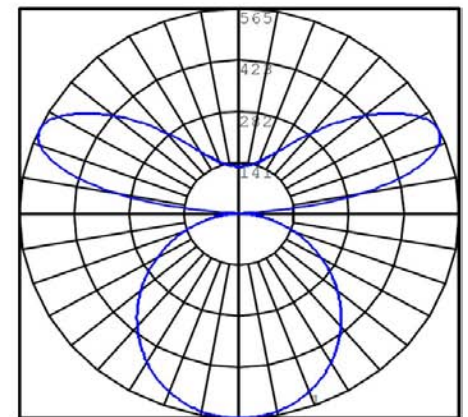
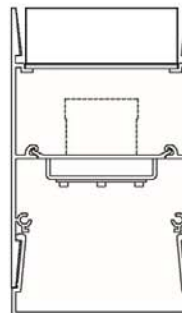
EFFICACY (TOTAL): 70.44 LPW
DISTRIBUTION % UP: 49.4 % (340.7 LPF)
DISTRIBUTION % DN: 50.6 % (448.3 LPF)
CIE CLASSIFICATION: SEMI-INDIRECT

LUMINOUS OPENING: RECTANGULAR
WIDTH: 3 in.
LENGTH: 48.5 in.

INPUT WATTS: 44.8 per 4'



Acrylic Satin Lens,
Heavy Diffuse
(ASLHD)



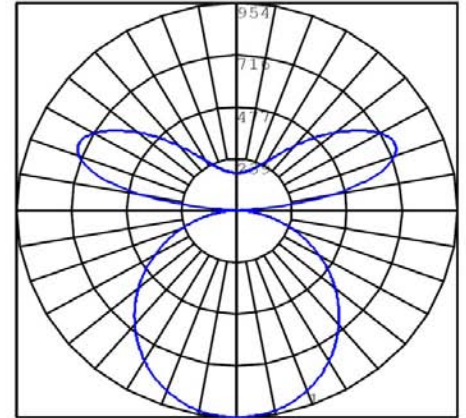
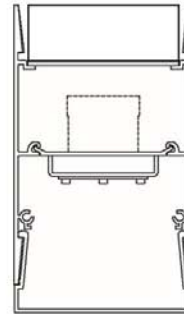
**Photometric Reports for
HIGH OUTPUT FIXTURES**

FIXTURE USES GGMS UP AND ASLMD3D.5 DOWN, 3500K LEDs @ 80+ CRI

IESNA: LM-63-2002
ISSUEDATE: 9/11/2019
TEST: 13014863.03 W/57452, GGMS UP
TESTLAB: UL VERIFICATION SVCS, INC.
MANUFAC: GAMMALUX LTG SYS
LUMCAT: GX3D35B22/1HL358GGMS_ASMD3D.5
LAMPS: 336 WHITE LEDs



Acrylic Satin Lens,
Medium Diffuse
(ASLMD)



EFFICACY (TOTAL): 78.8 LPW
DISTRIBUTION % UP: 37.5% (454.3 LPF)
DISTRIBUTION % DN: 62.5% (757.6 LPF)
CIE CLASSIFICATION: SEMI-INDIRECT

LUMINOUS OPENING: RECTANGULAR
WIDTH: 3 in.
LENGTH: 48.5 in.

INPUT WATTS: 61.5 per 4'

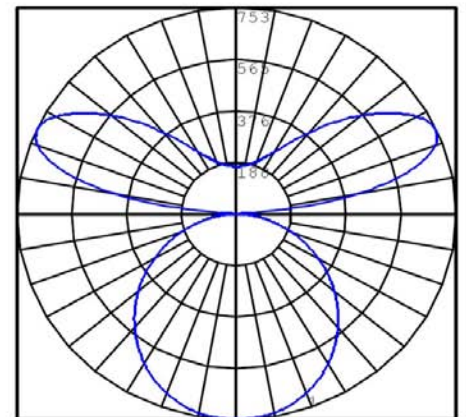
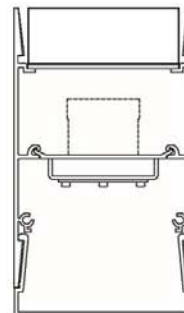


FIXTURE USES GGMS UP AND ASLHD3D.5 DOWN, 3500K LEDs @ 80+ CRI

IESNA: LM-63-2002
ISSUEDATE: 9/11/2019
TEST: 13014863.03 W/57452, GGMS UP, HD
TESTLAB: UL VERIFICATION SVCS, INC.
MANUFAC: GAMMALUX LTG SYS
LUMCAT: GX3D35B22/1HL358GGMS_ASMD3D.5
LAMPS: 336 WHITE LEDs



Acrylic Satin Lens,
Heavy Diffuse
(ASLHD)



EFFICACY (TOTAL): 68.42 LPW
DISTRIBUTION % UP: 43.2% (454.3 LPF)
DISTRIBUTION % DN: 56.8% (597.7 LPF)
CIE CLASSIFICATION: SEMI-INDIRECT

LUMINOUS OPENING: RECTANGULAR
WIDTH: 3 in.
LENGTH: 48.5 in.

INPUT WATTS: 61.5 per 4'



Photometric Info / Downloads

FIXTURE USES GGMS UP AND ASLMD3D.5 DOWN, 3500K LEDs @ 80+ CRI

IESNA: LM-63-2002
ISSUEDATE: 9/11/2019
TEST: 13014863.03 W/57452, GGMS UP, VHO
TESTLAB: UL VERIFICATION SVCS, INC.
MANUFAC: GAMMALUX LTG SYS
LUMCAT: GX3D35B22/1VL358GGMS_ASMD3D.5
LAMPS: 336 WHITE LEDs

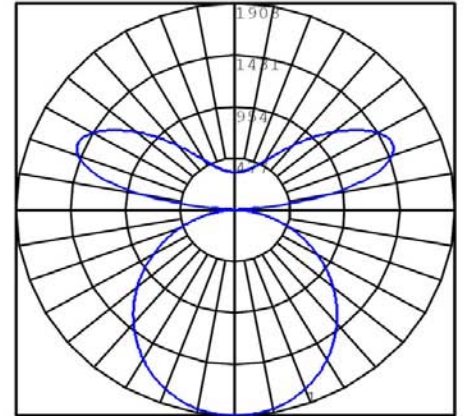
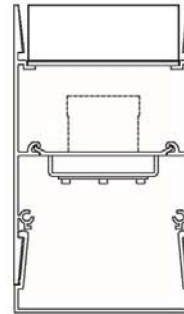
EFFICACY (TOTAL): 74.81 LPW
DISTRIBUTION % UP: 37.5% (908.8 LPF)
DISTRIBUTION % DN: 62.5% (1,515 LPF)
CIE CLASSIFICATION: SEMI-INDIRECT

LUMINOUS OPENING: RECTANGULAR
WIDTH: 3 in.
LENGTH: 48.5 in.

INPUT WATTS: 129.6 per 4'



Acrylic Satin Lens,
Medium Diffuse
(ASLMD)



FIXTURE USES GGMS UP AND ASLHD3D.5 DOWN, 3500K LEDs @ 80+ CRI

IESNA: LM-63-2002
ISSUEDATE: 9/11/2019
TEST: 13014863.03 W/57452, GGMS, HD, VHO
TESTLAB: UL VERIFICATION SVCS, INC.
MANUFAC: GAMMALUX LTG SYS
LUMCAT: GX3D35B22/1VL358GGMS_ASMD3D.5
LAMPS: 336 WHITE LEDs

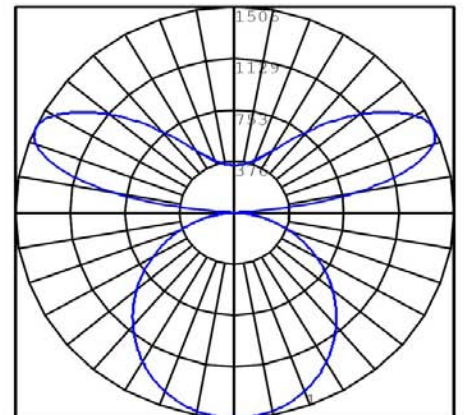
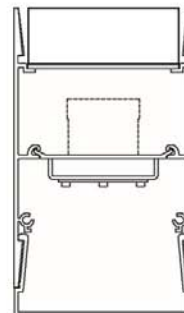
EFFICACY (TOTAL): 64.93 LPW
DISTRIBUTION % UP: 43.2% (908.6 LPF)
DISTRIBUTION % DN: 56.8% (1,195.3 LPF)
CIE CLASSIFICATION: SEMI-INDIRECT

LUMINOUS OPENING: RECTANGULAR
WIDTH: 3 in.
LENGTH: 48.5 in.

INPUT WATTS: 129.6 per 4'



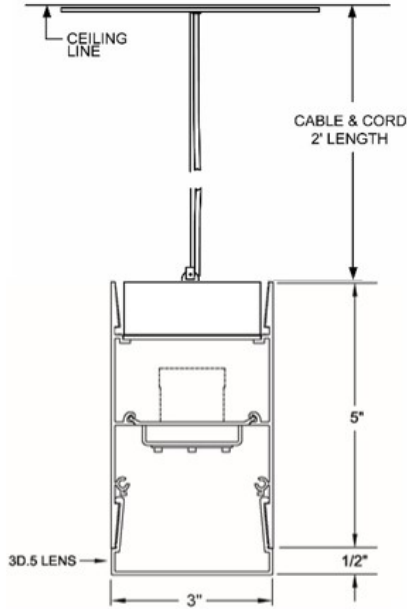
Acrylic Satin Lens,
Heavy Diffuse
(ASLHD)



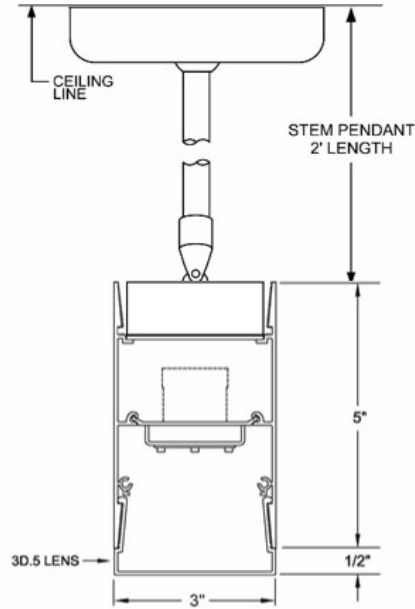
Mounting Details

Factory Drawings: Fully dimensioned factory drawings will be provided upon receipt of purchase order.

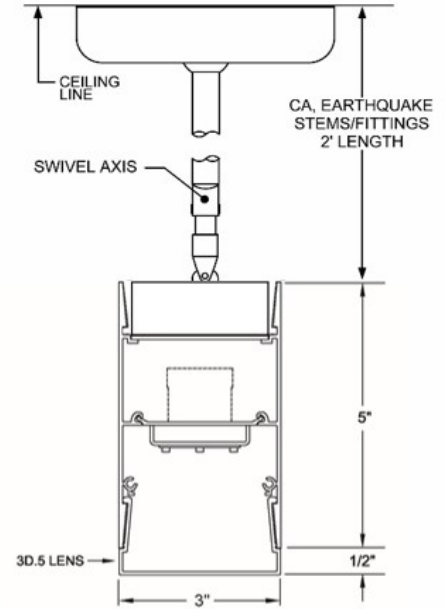
Cable Mount:
Specify **C** code in catalog #



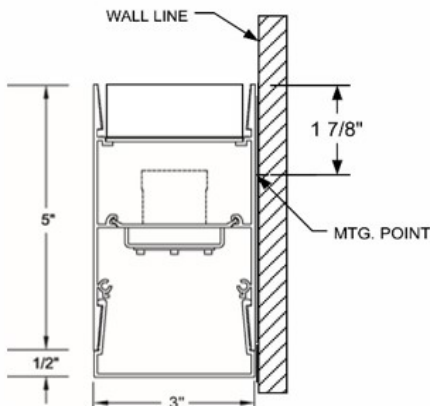
Swivel Stem Mount:
Specify **S** code in catalog #



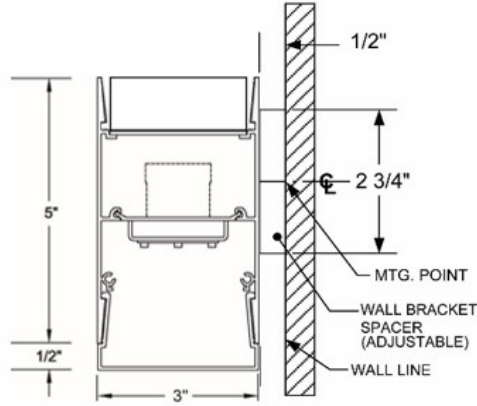
CA Earthquake Stem Mount:
Specify **SEQ** code in catalog #



Wall Mount:
Specify **WM** code in catalog #



Wall Spacer Mount:
Specify **WSP** code in catalog #



Gammalux Lighting Systems reserves the right to change the details of fixture design and construction at any time.

Custom Programmed Output

Custom Programmed Output can be specified to produce approximate Delivered Lumens per Foot, Percentage of High Output Value or Maximum Watts per Foot.

Delivered Lumens Per Foot

Gammalux deals only in delivered lumens per foot. When working to match or exceed a competitor product's Lumens Per Foot package, be sure you are looking at their Delivered (through the lens) lumens per foot, not their System (bare board) lumens per foot.

In the Gammalux item #, use **C** as the Output designator and add a fixture description stating the required Lumens Per Foot value (ie: if you need 600 lumens per foot delivered by the fixture, the line note would read "Program = 600 LPF").

Percentage of High Output Value

If the required delivered lumens per foot are not known, run lighting calculations using our High Output IES file and identify the percentage of increase or decrease required to produce the correct lighting in the space.

In the Gammalux item #, use **C** as the Output designator and add a fixture description stating the required percentage of decrease from our High Output value (ie: for 60% of our High Output value, the line note would read "Program = 60% of High Output").

Maximum Watts Per Foot

In the Gammalux item #, use **C** as the Output designator and add a fixture description stating the required Maximum Watts per Foot (ie: if you need the fixtures capped at a maximum of 7 watts per foot, the line note would read "Program = 7 WPF").

For all three methods, custom programming capability is currently 25-200% of our High Output value. For requirements outside of this range, consult factory.

End Glow Detail

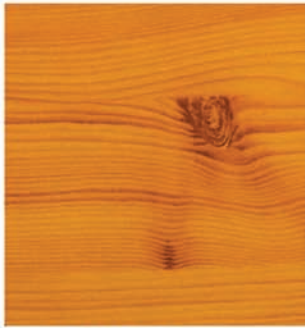
End Glow adds a distinctive sparkle to the end of the individual fixture, run or pattern. To specify the End Glow detail, add "EG" to the end of the housing section of the nomenclature block.

Example shown is GX3D14B2.



Wood Finishes

Fixture housings are powder coated with a base finish, baked, then wrapped in a film with the decorative grain pattern. Baking the housing again allows the grain to become embedded into the powder coated finish. This is not a decal or veneer. Additional lead time and cost increases apply. Consult factory for pricing. Swatches are scaled accurately for 8.5" x 11" page.



FINISH CODE: KPI



FINISH CODE: MED



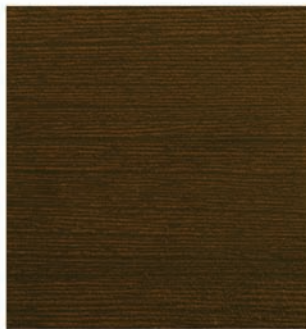
FINISH CODE: HCH



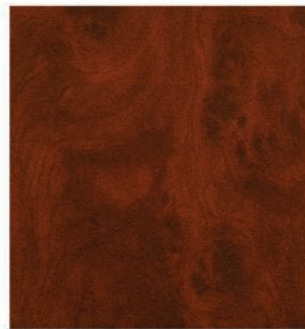
FINISH CODE: WAL



FINISH CODE: AOK



FINISH CODE: FWG



FINISH CODE: MH1



FINISH CODE: MH2



SAMPLE FIXTURE WITH WOOD FINISH



DUE TO VARIANCES IN MONITORS AND PRINTERS, ACTUAL FINISHES MAY APPEAR DIFFERENT FROM SWATCHES.

Approved Cut Release option

If offered for Approved Cut Release in the Gammalux factory quote, the product in the accompanying purchase order is authorized by the GC to be released to production without the need for factory drawings for approval.

I confirm that:

- all ordering options are clearly noted (highlighted, boxed, written in, etc.) on page 1 of this fixture cut sheet
- quoted leadtime begins upon Gammalux's confirmation that the P.O. and marked cut sheet match their quote.
- the order will be released to production and a "record only" drawing will be provided prior to product shipment
- changes after Gammalux's release to production will result in a minimum 25% change fee which increases as production progresses.

General Contractor _____

GC's authorized Signature (or stamp below) _____

Signatory's printed name _____