

Project Name:	Part Number:	Type:
---------------	--------------	-------

# LANCE

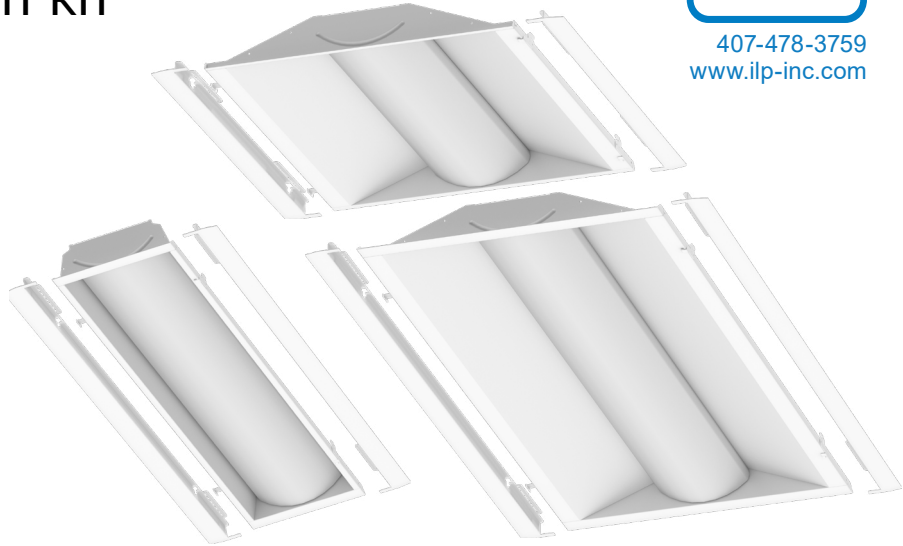
## VOLUMETRIC TROFFER RETROFIT KIT



407-478-3759  
www.ilp-inc.com

### FEATURES

- Troffer Retrofit Kit for recessed lighting applications
- One-piece unit with two universal mounting brackets
- Average install time less than 3 minutes
- Lightweight aluminum matte white finish body
- High transmission extruded PMMA frosted acrylic lens
- Air Return Options
- Advanced Wireless Controls Options
- 1x4, 2x2, 2x4 sizes
- 2,300 – 6,200 Delivered Lumens
- High Efficacy – Up to 155 lm/W
- 3000K – 5000K CCT
- 80 & 90 CRI Options
- Calculated L70 > 100,000 hours
- 0-10V Dimmable Driver (Dims to 10%)
- 5 Year Warranty (std); 10 Year Warranty Optional
- ETL Listed for UL1598C
- DesignLights Consortium® Premium Qualified Luminaire



### SUITABLE APPLICATIONS

- Education
- Healthcare
- Offices
- Hallways
- Multipurpose Rooms
- Conference Rooms

### ORDERING GUIDE

SERIES	LUMENS (Select 1)		DRIVER	80CRI / CCT	FINISH	AIR RETURN	WARRANTY
LANCE14	23L	40L	U <sup>5</sup> 120-277V	50	BLANK Pre-paint white	BLANK Std. Mounting Brackets	BLANK 5 Year
LANCE Troffer Kit 1'x4'	29L	49L	HV <sup>6</sup> 347V	40	PAF Post-paint white	AR/W Air Return White Reveal	10YR <sup>7</sup> 10 Year
		61L		35		AR/B Air Return Black Reveal	
				30			
LANCE22	24L	37L		90CRI / CCT			
LANCE Troffer Kit 2'x2'	31L	48L		940			
	34L			935			
				930			
LANCE24	30L	49L					
LANCE Troffer Kit 2'x4'	37L	54L					
	43L	62L					

DRIVER & EMERGENCY OPTIONS		CONTROLS OPTIONS	
Factory Installed		Advanced	
SR	Sensor Ready Driver	ES <sup>1,4</sup>	EasySense Sensor
DR	DALI Ready Driver	5E/CU/IL <sup>4</sup>	Enlighted 5E Individual Lighting (IL) Sensor w/ Control Unit
BLD	Bi-level dimming driver (100% / 50%) with two hot leads	5E/CU/CL <sup>4</sup>	Enlighted 5E Connected Lighting (CL) Sensor w/ Control Unit
LDE1	Lutron Hi-Lume Driver	5E/CU/IOT <sup>4</sup>	Enlighted 5E Internet of Things (IOT) Sensor w/ Control Unit
DIM1	1% Dimming Driver	5E/5W/IL <sup>4</sup>	Enlighted 5E Individual Lighting (IL) Sensor w/ Aux Driver/5 Wire Connection
EM5	5W LED Factory Installed Battery Backup	5E/5W/CL <sup>4</sup>	Enlighted 5E Connected Lighting (CL) Sensor w/ Aux Driver/5 Wire Connection
EM5/HE	5W LED Factory Installed Battery Backup - CEC Title 20 Compliant	5E/5W/IOT <sup>4</sup>	Enlighted 5E Internet of Things (IOT) Sensor w/ Aux Driver/5 Wire Connection
EM7	7W LED Factory Installed Battery Backup	VDO <sup>2,4</sup>	Lutron Vive DFCSJ-OEM-OCC (Daylight and Occupancy)
EM7/HE	7W LED Factory Installed Battery Backup - CEC Title 20 Compliant	VRF <sup>2,4</sup>	Lutron Vive DFCSJ-OEM-RF (Radio Frequency Only)
EM10	10W LED Factory Installed Battery Backup	<b>Ship With Accessories</b>	
EM10/HE	10W LED Factory Installed Battery Backup - CEC Title 20 Compliant	ES/PCD <sup>3</sup>	EasySense Pre-Programmed Control Device
EM12	12W LED Factory Installed Battery Backup	ES/WWS/DR	EasySense Dual Rocker Wireless Wall Switch

<sup>1</sup> Must be used with ES/PCD for commissioning  
<sup>2</sup> Must be used with SR Sensor Ready Driver

<sup>3</sup> One needed per project  
<sup>4</sup> View controls page for more detail (pg.3)

<sup>5</sup> Standard 120-277V Driver dimmable down to 10%  
<sup>6</sup> Standard 347V High Voltage Driver dimmable down to 1%  
<sup>7</sup> Contact Factory for more details

# LANCE

## VOLUMETRIC TROFFER RETROFIT KIT

SYSTEMS INFO <sup>1</sup>	3000K CCT			3500K CCT			4000K CCT			5000K CCT			Watts <sup>2</sup>	CRI	Replaces
	Part #	Lumens	LPW	DLC	Lumens	LPW	DLC	Lumens	LPW	DLC	Lumens	Efficacy			
LANCE14-23L	2,170	131	PRM	2,223	134	PRM	2,277	137	PRM	2,394	144	PRM	17 W	>80	1T8
LANCE14-29L	2,755	131	PRM	2,822	134	PRM	2,892	137	PRM	3,037	144	PRM	21 W	>80	2T8
LANCE14-40L	3,765	129	PRM	3,858	132	PRM	3,952	136	PRM	4,152	142	PRM	29 W	>80	2T8
LANCE14-49L	4,656	124	PRM	4,831	127	PRM	4,947	130	PRM	5,199	137	PRM	38 W	>80	2T8
LANCE14-61L	5,774	127	PRM	5,915	130	PRM	6,059	133	PRM	6,369	140	PRM	45 W	>80	3T8
LANCE22-24L	2,187	128	PRM	2,359	139	PRM	2,448	144	PRM	2,561	151	PRM	17 W	>80	2T8
LANCE22-31L	2,891	136	PRM	3,005	142	PRM	3,120	147	PRM	3,264	154	PRM	21 W	>80	2T8
LANCE22-34L	3,162	127	PRM	3,270	132	PRM	3,394	137	PRM	3,551	143	PRM	25 W	>80	3T8
LANCE22-37L	3,446	129	PRM	3,582	134	PRM	3,717	139	PRM	3,889	146	PRM	27 W	>80	3T8
LANCE22-48L	4,265	124	PRM	4,614	135	PRM	4,789	140	PRM	5,008	146	PRM	34 W	>80	4T8
LANCE24-30L	2,836	133	PRM	2,921	137	PRM	3,004	141	PRM	3,128	147	PRM	21 W	>80	2T8
LANCE24-37L	3,530	132	PRM	3,634	136	PRM	3,738	140	PRM	3,891	145	PRM	27 W	>80	2T8
LANCE24-43L	4,095	140	PRM	4,215	144	PRM	4,339	149	PRM	4,516	155	PRM	29 W	>80	3T8
LANCE24-49L	4,619	136	PRM	4,758	140	PRM	4,892	144	PRM	5,094	150	PRM	34 W	>80	3T8
LANCE24-54L	5,050	128	PRM	5,225	132	PRM	5,373	136	PRM	5,596	142	PRM	40 W	>80	3T8
LANCE24-62L	5,877	129	PRM	6,049	133	PRM	6,222	137	PRM	6,482	142	PRM	46 W	>80	4T8
LANCE14-23L	2,145	130	PRM	2,154	131	PRM	2,170	132	PRM	N/A	N/A	N/A	16 W	>90	1T8
LANCE14-29L	2,647	127	PRM	2,666	128	PRM	2,686	129	PRM	N/A	N/A	N/A	21 W	>90	2T8
LANCE14-40L	3,495	123	PRM	3,520	124	PRM	3,546	124	PRM	N/A	N/A	N/A	29 W	>90	2T8
LANCE14-49L	4,253	118	STD	4,284	119	STD	4,315	119	STD	N/A	N/A	N/A	36 W	>90	2T8
LANCE14-61L	5,316	111	STD	5,445	113	STD	5,622	116	STD	N/A	N/A	N/A	45 W	>90	3T8
LANCE22-24L	2,062	120	PRM	2,089	121	PRM	2,129	123	PRM	N/A	N/A	N/A	17 W	>90	2T8
LANCE22-31L	2,514	115	STD	2,546	117	STD	2,577	118	STD	N/A	N/A	N/A	22 W	>90	2T8
LANCE22-34L	2,903	113	STD	2,924	114	STD	2,971	115	STD	N/A	N/A	N/A	26 W	>90	3T8
LANCE22-37L	3,379	123	PRM	3,421	124	PRM	3,463	126	PRM	N/A	N/A	N/A	28 W	>90	3T8
LANCE22-48L	4,103	119	STD	4,155	121	STD	4,206	122	PRM	N/A	N/A	N/A	34 W	>90	4T8
LANCE24-30L	2,810	133	PRM	2,816	135	PRM	2,856	137	PRM	N/A	N/A	N/A	21 W	>90	2T8
LANCE24-37L	3,365	128	PRM	3,461	131	PRM	3,510	133	PRM	N/A	N/A	N/A	27 W	>90	2T8
LANCE24-43L	3,641	127	PRM	3,693	129	PRM	3,746	131	PRM	N/A	N/A	N/A	29 W	>90	3T8
LANCE24-49L	4,115	125	PRM	4,174	127	PRM	4,233	128	PRM	N/A	N/A	N/A	34 W	>90	3T8
LANCE24-54L	4,460	123	PRM	4,524	125	PRM	4,588	126	PRM	N/A	N/A	N/A	40 W	>90	3T8
LANCE24-62L	5,560	116	STD	5,637	117	STD	5,716	119	STD	N/A	N/A	N/A	46 W	>90	4T8

<sup>1</sup>LED Chips are frequently updated therefore values are nominal

<sup>2</sup>Electrical data at 25C (77F). Actual wattage may differ by +/-10%.

## SPECIFICATIONS

### CONSTRUCTION

Light weight aluminum white body for rigidity, durability & ease of installation. One-piece unit with two universal mounting brackets for quick and easy installation. Optional paint after fabrication.

### ELECTRICAL

Class 2 LED light engine for high efficacy and long life. Calculated L70 > 100,000 hours. LED Lumen Maintenance Estimates based on TM-21 projections for the light source at 25°C ambient. Power Factor > 0.90. Standard 120-277 VAC 0-10V dimmable (10%-100%). Optional 347V High Voltage (HV) driver. 1% dimming driver standard on optional 347V High Voltage (HV) drivers. Optional Sensor Ready & DALI Ready drivers for pairing with controls & integrated controls networks. Optional Bi-level dimming driver (100% / 50%), 1% dimming driver & Lutron Hi-Lume 1% dimming driver.

### MOUNTING

One-piece door frame light engine with two universal mounting brackets for easy installation. See page 4 for step-by-step troffer kit installation instructions. Air return options include slots in mounting rails.

### WARRANTY

5 Year Warranty Standard; 10 Year Warranty Optional ([Terms and Conditions apply](#)).

### OPTICS

Standard high transmission extruded PMMA frosted acrylic volumetric lens. Removable lens for easy access to LED board and maintenance.

### TROFFER COMPATIBILITY

LANCE is designed to fit into most existing parabolic and lensed troffers with a housing depth of 3/8" or greater. ILP recommends a test installation prior to ordering project quantities. Contact factory for additional troffer compatibility confirmation and custom size configuration options.

### CONTROLS

Factory installed Advanced sensor options available. Sensor mounts within the body of the fixture. View controls page for more detail (pg.3). Inquire with manufacturer for additional controls options, including customer supplied items.

### CERTIFICATIONS

ETL Listed to US & Canadian safety standards. ETL Listed for UL1598C. Suitable for damp locations. American Recovery & Reinvestment Act Funding Compliant. DLC (DesignLights Consortium) Premium Qualified, with some Standard Qualified configurations. Please refer to the DLC Qualified Products List at [www.designlights.org/QPL](http://www.designlights.org/QPL) to confirm specific product qualifications.

# LANCE

## VOLUMETRIC TROFFER RETROFIT KIT

### ADVANCED CONTROLS OPTIONS

#### EASYSENSE

##### ES

EasySense sensor combines occupancy sensing, daylight harvesting & institutional tuning in one compact solution. This is an ideal control for any commercial application. Each sensor allows you to turn on/off occupancy and/or daylight harvesting functions as well as set the full light output, background light level, occupancy prolong time, occupancy grace fading time and occupancy time out/hold time. Requires the use of EasySense Pre-Programmed Control Device (ES/PCD), or approved phone from compatibility list; one needed per project.



##### ES/PCD

Pre-Programmed EasySense Control Device. One needed per project. Sensor can also be programmed with the approved compatible cell phone (listed below).

##### Compatible Cell Phones:

- LG G4
- Samsung S5
- Samsung Note 4
- Samsung S4 Mini
- Samsung S6
- Samsung Note Edge 1
- Samsung S4

##### ES/WWS/DR

Optional Wireless / Batteryless Dual Rocker Wall Switch. Up to 100ft range. Functions include: On/Off, dimming and setting of (2) scenes for full room control.

##### Specifications:

- Wireless
- ZigBee®
- Batteryless
- 30-100ft Range
- Dual Rocker

##### Functions:

1. On (Hold to brighten up)
2. Off (Hold to dim down)
3. Scene 1
4. Scene 2



#### LUTRON

##### VDO

Vive DFCSJ-OEM-OCC integral fixture control sensor with daylight & occupancy. Vive provides intuitive programming allowing for maximum flexibility with wireless communication & sensing as desired. Provided with factory installed components only. Lutron system provided by others. Sensor must be used in conjunction with Pico Switch/Dimmer. Cannot be used in conjunction with mechanical on/off power switch. Contact factory for more information.



##### VRF

Vive DFCSJ-OEM-RF integral fixture control with Radio Frequency (RF) communication. Vive provides intuitive programming allowing for maximum flexibility with wireless communication as desired. Providing with factory installed components only. Lutron system provided by others. Sensor must be used in conjunction with Pico Switch/Dimmer. Cannot be used in conjunction with mechanical on/off power switch. Contact factory for more information.



#### ENLIGHTED

##### 5E/CU/IL

Bundled System with Enlighted 5E sensor (SU-5E-IL), Control Unit (CU-4E-FM) and Cable (CBL-5E-CU4-30N). Fixtures are controlled based on occupancy & ambient light. Includes ability to group fixtures together and connect to a switch to zone fixtures for group operation. Provided with factory installed components only. Enlighted system provided by others. Contact factory for more information.



##### 5E/CU/CL

Bundled System with Enlighted 5E sensor (SU-5E-CL), Control Unit (CU-4E-FM) and Cable (CBL-5E-CU4-30N). Fixtures are controlled based on occupancy and ambient light. Includes individual lighting control plus connection to Enlighted Energy Manager. The Energy Manager provides data analysis for all data collected by the Enlighted Smart Sensors for energy, occupancy and environment. Provided with factory installed components only. Enlighted system provided by others. Contact factory for more information. (see image above)

##### 5E/CU/IOT

Bundled System with Enlighted 5E sensor (SU-5E-IOT), Control Unit (CU-4E-FM) and Cable (CBL-5E-CU4-30N). Fixtures are controlled based on occupancy and ambient light. Includes individual lighting control plus connection to Enlighted Energy Manager. Energy Manager provides data analysis for all data collected by Enlighted Smart Sensors for energy, occupancy & environment. Additionally, the IOT functionality takes the data access and function beyond just lighting to a wide range of applications beyond the standard connected lighting controls. Provided with factory installed components only. Enlighted system provided by others. Contact factory for more information. (see image above)

##### 5E/5W/IL

Bundled System with Enlighted 5E sensor (SU-5E-IL) & Cable (CBL-5E-CU4-30N) paired with a driver with auxiliary power and 5 wire connection. Fixtures are controlled based on occupancy and ambient light. Includes ability to group fixtures together and connect to a switch to zone fixtures for group operation. Provided with factory installed components only. Enlighted system provided by others. Contact factory for more information. (see image above)

##### 5E/5W/CL

Bundled System with Enlighted 5E sensor (SU-5E-CL) & Cable (CBL-5E-CU4-30N) paired with a driver with auxiliary power & 5 wire connection. Fixtures are controlled based on occupancy and ambient light. Includes individual lighting control plus connection to Enlighted Energy Manager. The Energy Manager provides data analysis for all data collected by the Enlighted Smart Sensors for energy, occupancy and environment. Provided with factory installed components only. Enlighted system provided by others. Contact factory for more information. (see image above)

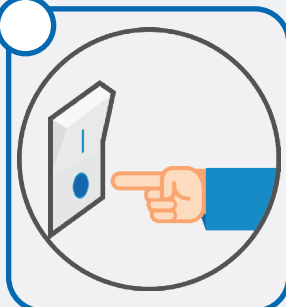
##### 5E/5W/IOT

Bundled System with Enlighted 5E sensor (SU-5E-IOT) & Cable (CBL-5E-CU4-30N) paired w/ a driver w/ auxiliary power and 5 wire connection. Fixtures are controlled based on occupancy & ambient light. Includes individual lighting control plus connection to Enlighted Energy Manager. The Energy Manager provides data analysis for all data collected by Enlighted Smart Sensors for energy, occupancy & environment. Additionally, the IOT functionality takes the data access and function beyond just lighting to a wide range of applications beyond the standard connected lighting controls. Provided with factory installed components only. Enlighted system provided by others. Contact factory for more information. (see image above)

# LANCE

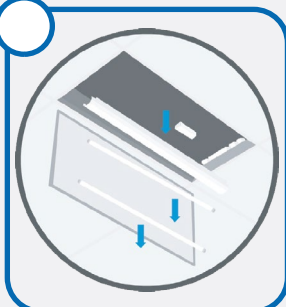
## VOLUMETRIC TROFFER RETROFIT KIT

### INSTALLATION INSTRUCTIONS



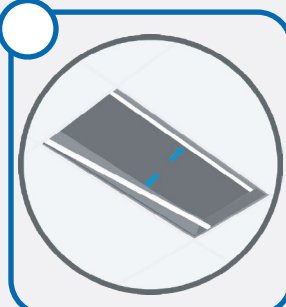
**STEP 1**

Shut off or disconnect power to the fixture.



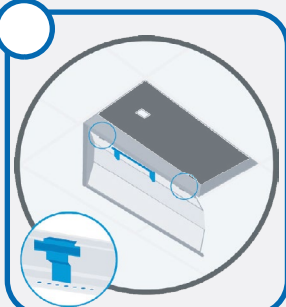
**STEP 2**

Remove existing fluorescent lamps and components, then disconnect existing connections to the fluorescent ballast.



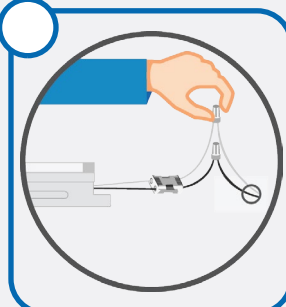
**STEP 3**

Gently lift the original housing and insert the brackets between the housing and the T-grid. Allow the housing to rest on the brackets, securing them in place. Optional tether included on the mounting brackets to secure the kit to the housing.



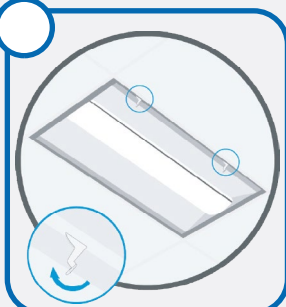
**STEP 4**

Hang the LANCE body by hooking the T-hinges into the respective slots in the bracket.



**STEP 5**

Connect the LANCE to AC power and ground.



**STEP 6**

Rotate the LANCE body up into the fixture and close the latches. Turn on or reconnect power to the fixture to complete the installation.

ILP recommends a test installation prior to ordering project quantities.

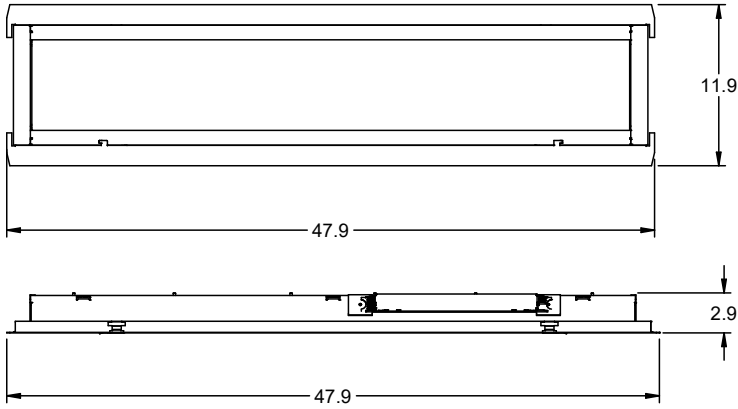
# LANCE

## VOLUMETRIC TROFFER RETROFIT KIT

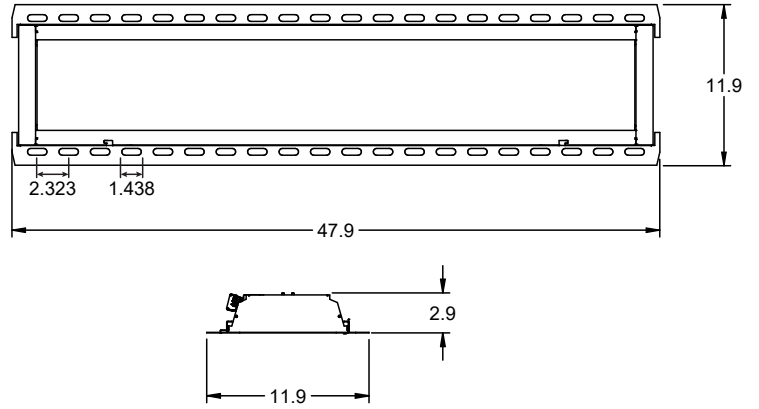
### LINE DRAWINGS

#### 1'x4'

Shown with standard bracket

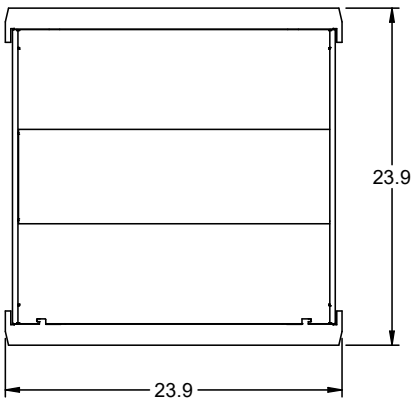


Shown with Air Return bracket

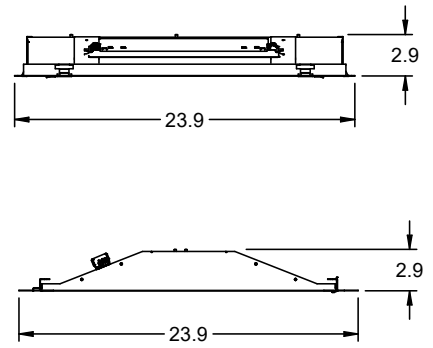
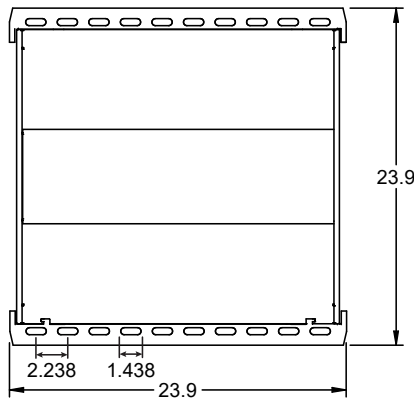


#### 2'x2'

Shown with standard bracket

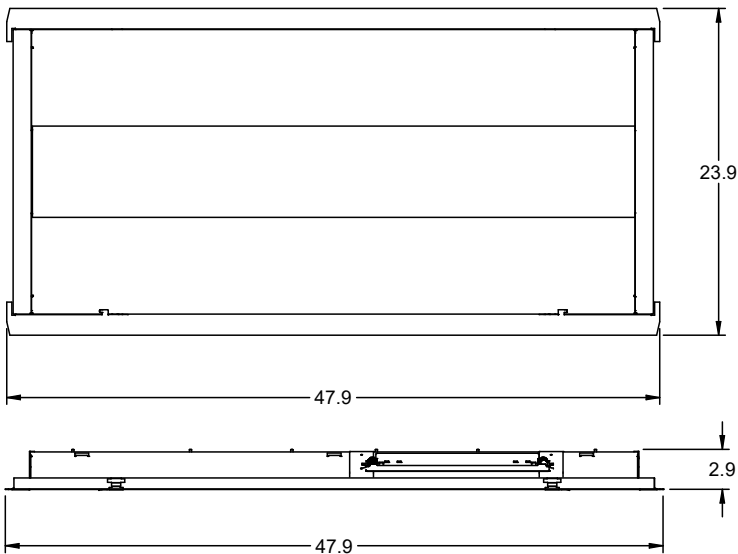


Shown with Air Return bracket

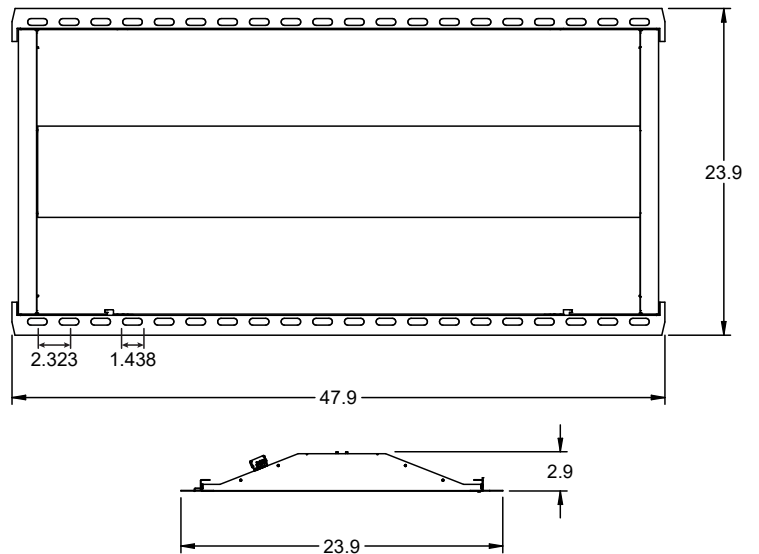


#### 2'x4'

Shown with standard bracket



Shown with Air Return bracket



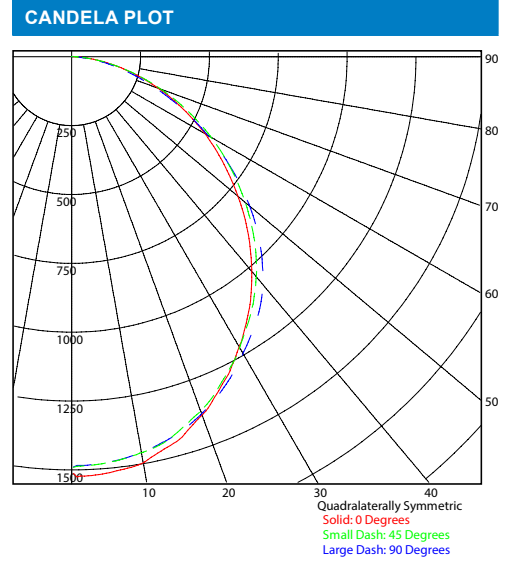
# LANCE

## VOLUMETRIC TROFFER RETROFIT KIT

### PHOTOMETRIC DATA

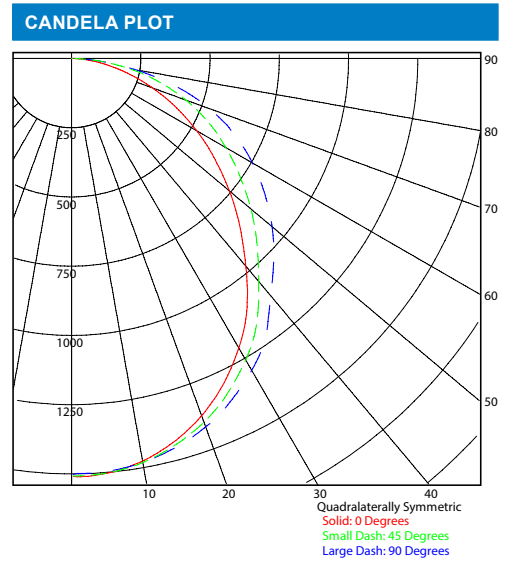
LUMINAIRE DATA	
Part Number	LANCE14-40L-U-40
Description	Latch and Close LED Troffer Retrofit Kit for 1x4 fixture, 4,000lm, with Frosted Acrylic Lens.
Fixture Lumens (lm)	3,952 lm
Wattage (W)	29 W
Efficacy (lm/W)	136 lm/W
Mounting	Recessed
Spacing Criteria	0° = 1.22, 90° = 1.24

ZONAL LUMEN SUMMARY		
Zone	Lumens (lm)	% Fixture
0° - 40°	1,858	47%
0° - 60°	3,203	81%
0° - 90°	3,952	100%
90° - 180°	0	0%
0° - 180°	3,952	100%



LUMINAIRE DATA	
Part Number	LANCE22-37L-U-40
Description	Latch and Close LED Troffer Retrofit Kit for 2x2 fixture, 3,700lm, with Frosted Acrylic Lens.
Fixture Lumens (lm)	3,717 lm
Wattage (W)	27 W
Efficacy (lm/W)	139 lm/W
Mounting	Recessed
Spacing Criteria	0° = 1.20, 90° = 1.30

ZONAL LUMEN SUMMARY		
Zone	Lumens (lm)	% Fixture
0° - 40°	1,652	44%
0° - 60°	2,875	77%
0° - 90°	3,717	100%
90° - 180°	0	0%
0° - 180°	3,717	100%



LUMINAIRE DATA	
Part Number	LANCE24-43L-U-40
Description	Latch and Close LED Troffer Retrofit Kit for 2X4 fixture, 4,300lm, with frosted acrylic lens.
Fixture Lumens (lm)	4,339 lm
Wattage (W)	29 W
Efficacy (lm/W)	149 lm/W
Mounting	Recessed
Spacing Criteria	0° = 1.20, 90° = 1.30

ZONAL LUMEN SUMMARY		
Zone	Lumens (lm)	% Fixture
0° - 40°	1,860	43%
0° - 60°	3,311	76%
0° - 90°	4,339	100%
90° - 180°	0	0%
0° - 180°	4,339	100%

