

SML 500 Series

LED Linear Utility Lighting



Advantages of SML500

- All-purpose utility lighting with **Short ROI Period**
- **Light weight** easy to install versatile design with various mounting options
- **Smart Circuitry System** gives greater protection when used in unstable electrical grids
- **Glare-Free, 240°** comfortable uniform lighting for all working environments
- **Patented Passive Air Cooling System** enables low LED junction temperatures (T_j) for maintenance free long life
- Easy Access Serviceable all-in-one junction box / LED driver
- **Cost effective Solution** as a true LED replacement with a 5-Year Warranty
- Designed and Engineered in the **USA** and manufactured in Taiwan

Application

- Manufacturing Plants
- Warehouses
- Parking Structures
- Utility Lighting
- Car Bays
- Convenient Stores
- Assembly Lines

SML 500 Series

LED Linear Utility Lighting

Mounting Options



SURFACE MOUNTING SYSTEM

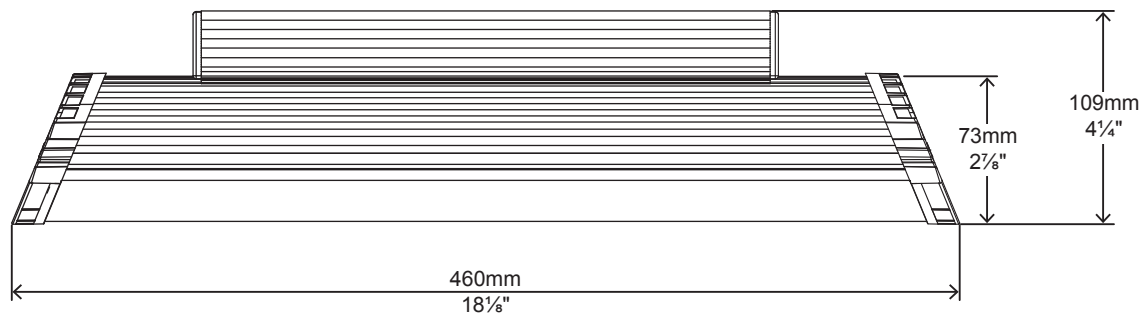
Part Number

SMH-SML

Part Description

Surface Mounting System

External Dimensions



SML 500 Series

LED Linear Utility Lighting - 12Watt

Ordering Information

SML	Series	CCT	Driver	Mounting *
	050 = 500 100 = 1000 150 = 1500	30 = 3000K 40 = 4000K 50 = 5000K	ND = Non-Dimmable DM = Dimmable	TBH = Tube Mount SMH = Surface Mount

*Surface Mount comes standard, please see accessories for additional mounting system options.
Tube Hanging System is only available for SML1000 and SML1500 models.

Example

Part Number	Part Description
SML050-50DM-SMH	38Watt LED Surface Mount Luminaire / 90-277VAC / 5000K Cool White / Dimmable / Surface Mount

Packaging Information

Case Quantity	Dimensions (LxWxH)	Weight
16	58 x 39 x 44 cm 22 ⁷ / ₈ x 15 ³ / ₈ x 17 ¹ / ₄ in	10.90 kg 23.98 lbs

SML 500 Series

LED Linear Utility Lighting - 12Watt

Specification

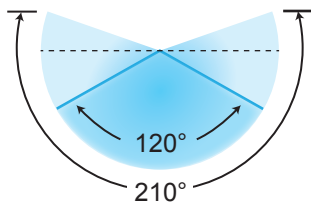
Input Voltage	90-277VAC 47~63Hz
Fixture Watts *	12 W
Lumens (Total) *	1,320 Lumens
Efficacy *	110 Lumens / W
LED Model	Nichia
Number of LEDs & Driving Current	32@100mA
CRI	85
T _s - Solder Point Temp *	48°C
L70 Rating @ T _a 25°C	> 80K hours
Lighting Control	Dimmable (0-10V)
Warranty	5-Year Limited
Operational Temperature (T _a)	-40°C ~ 50°C
Storage Temp. / Humidity	-40°C ~ 80°C / 20 - 95% RH non - condensing

* Test data @ T_a: 25°C

NOTE: All Values Have ±7% Tolerance



Illumination Levels *



Height	LUX	FC
2m / 6.5ft	84	7.8
3m / 9.8ft	42	4
4m / 13ft	22	2
5m / 16.5ft	13	1.2

* Light Beam Angle: 210° Total / 120° @ 70% Flux

SML 500 Series

LED Linear Utility Lighting - 12Watt

Photometry (LM79 Test Number LTL 355367)

Average Luminance Table (cd/m²)

		Horizontal Angle (°)		
		Along	45	Across
Vertical Angle (°)	45	13622	10746	9698
	55	11825	8643	7492
	65	9819	6796	5770
	75	7370	5413	4662
	85	3580	4686	4147

NOTE: All Values Have ±7% Tolerance

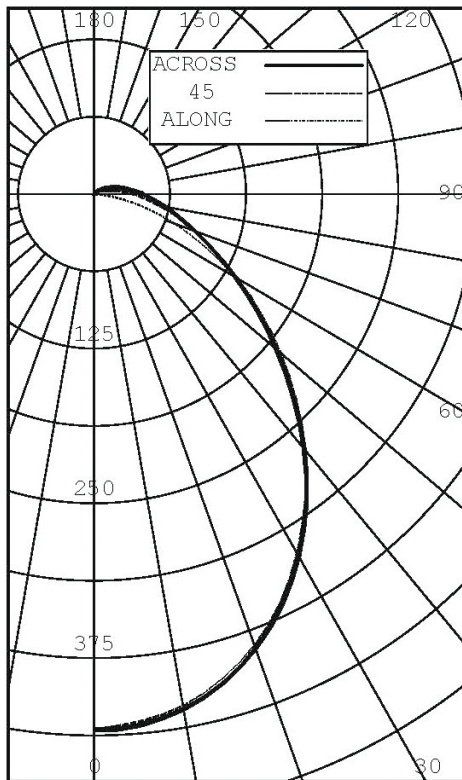
Lumen values may be lower than those indicated on the product specification page due to technological advancements.

Zonal Lumens and Percentages

Zone (°)	Lumens	% of Luminaire
0-30	323	29.41
0-40	512	46.63
0-60	839	76.50
0-90	1056	96.22
40-90	544	49.58
60-90	216	19.72
90-180	41	3.78
0-180	1097	100.00

NOTE: All Values Have ±7% Tolerance

Polar Plot



Intensity(Candlepower) Summary

Angle	Along	22.5	45	67.5	Across	Output Lumens
0	433	433	433	433	433	–
5	432	429	428	429	431	41
15	408	406	406	408	409	114
25	363	362	363	365	366	167
35	302	302	303	304	304	189
45	233	233	235	233	231	180
55	164	165	168	165	163	148
65	100	105	111	111	109	107
75	46	58	70	73	73	69
85	8	27	42	47	49	40
90	0	17	32	38	40	–
95	0	10	24	30	32	22
105	0	3	12	19	20	12
115	0	0	5	10	12	5
125	0	0	1	4	5	2
135	0	0	0	1	1	0

NOTE: All Values Have ±7% Tolerance