

# SML 3000 Series

LED Linear Industrial Lighting



## Product Information

The **SML3000** is a light weight, all-purpose **Low - Mid Bay** linear industrial lighting fixture with versatile mounting options. It is designed to replace fluorescent fixtures of much higher wattages for multiple applications. This ultra-energy efficient high output luminaire consumes only **75Watts** and provides glare free, 120° comfortable uniform lighting in most working environments.

The patented **Passive Air Cooling System** enables low LED Junction Temperatures ( $T_j$ ) for maintenance free long life.

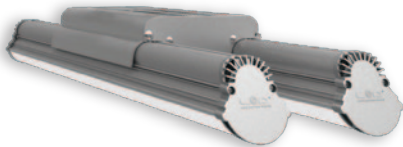
Patent No. 20130242548 A1

Other US and international patents pending

# SML Series

## LED Linear Industrial Lighting

### Mounting Options



#### SURFACE MOUNTING SYSTEM

##### Part Number

SMH-SML

##### Part Description

Surface Mounting System



#### CHAIN CHANDELIER MOUNTING SYSTEM

##### Part Number

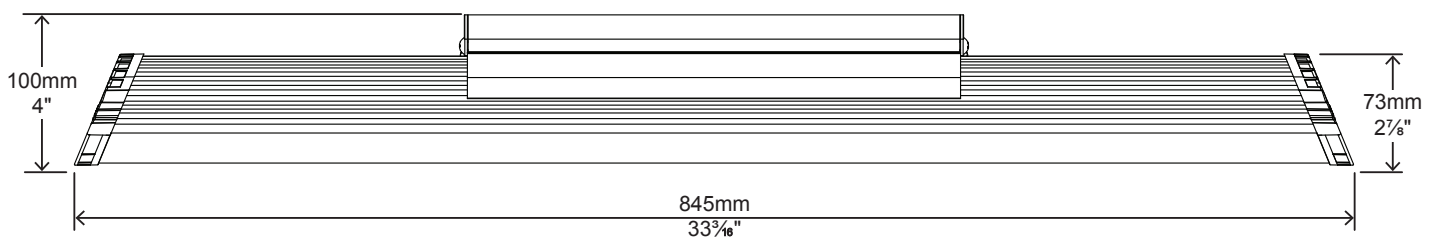
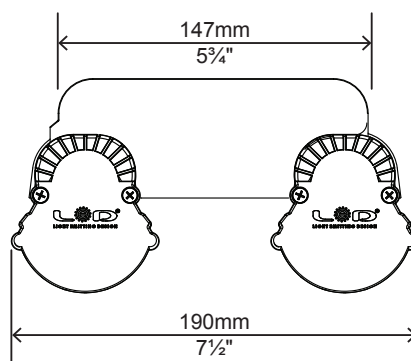
CH4-SML-45C

4 Link Chain Chandelier System / 18" (45cm) / Chrome

CH4-SML-90C

4 Link Chain Chandelier System / 36" (90cm) / Chrome

### External Dimensions



# SML 3000 Series

LED Linear Industrial Lighting - 75Watt

## Ordering Information

<b>SML300</b>	<b>Voltage</b>	<b>CCT</b>	<b>Driver</b>	<b>Mounting *</b>
	UV = 90-277VAC HV = 305-528VAC			

\*Surface Mount comes standard, please see accessories for additional mounting system options.

## Example

Part Number	Part Description
<b>SML300UV-50DM-SMH</b>	70Watt LED Linear Industrial Lighting / 90-277VAC / 5000K Cool White / Dimmable / Surface Mount

## Packaging Information

Case Quantity	Dimensions (LxWxH)	Weight
6	98 x 42 x 35 cm 38 <sup>5</sup> / <sub>8</sub> x 16 <sup>1</sup> / <sub>2</sub> x 13 <sup>3</sup> / <sub>4</sub> in	34.50 kg 76.00 lbs

# SML 3000 Series

## LED Linear Industrial Lighting - 75Watt

### Specification

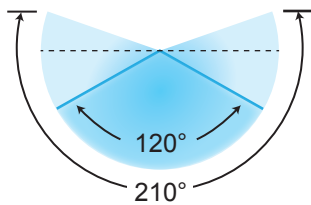
Input Voltage	90-277VAC 47~63Hz (available in 348 & 480VAC)
Fixture Watts *	75 W
Lumens (Total) *	8,625 Lumens
Efficacy *	115 Lumens / W
LED Model	Nichia
Number of LEDs & Driving Current	80@125mA
CRI	85
T <sub>s</sub> - Solder Point Temp *	59°C
L70 Rating @ T <sub>a</sub> 25°C	> 80K hours
Lighting Control	Dimmable (0-10V)
Warranty	5-Year Limited
Operational Temperature (T <sub>a</sub> )	-40°C ~ 50°C
Storage Temp. / Humidity	-40°C ~ 80°C / 20 - 95% RH non - condensing

\* Test data @ T<sub>a</sub>: 25°C

NOTE: All Values Have ±7% Tolerance



### Illumination Levels \*



Height	LUX	FC
2m / 6.5ft	572	53
3m / 9.8ft	286	26
4m / 13ft	152	14
5m / 16.5ft	90	8.2

\* Light Beam Angle: 210° Total / 120° @ 70% Flux

# SML 3000 Series

LED Linear Industrial Lighting - 75Watt

## Photometry (LM79 Test Number LTL 355369)

**Average Luminance Table (cd/m<sup>2</sup>)**

		Horizontal Angle (°)		
		Along	45	Across
Vertical Angle (°)	45	42274	32932	29638
	55	36986	26620	22914
	65	30876	20958	17690
	75	46232	16656	14320
	85	10432	14322	12700

NOTE: All Values Have ±7% Tolerance

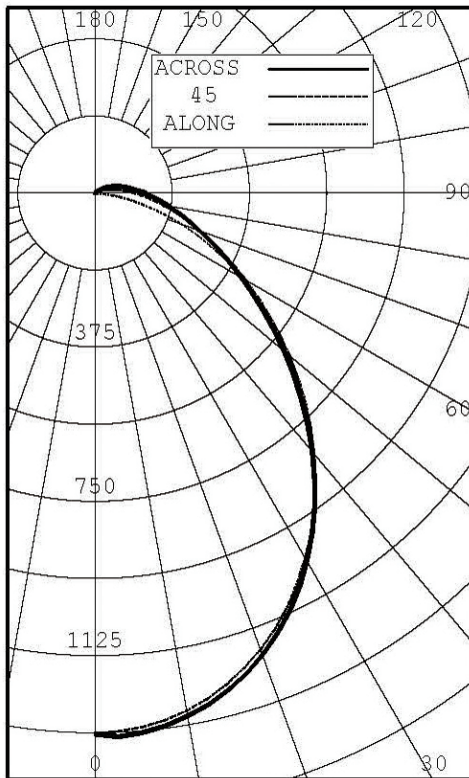
Lumen values may be lower than those indicated on the product specification page due to technological advancements.

**Zonal Lumens and Percentages**

Zone (°)	Lumens	% of Luminaire
0-30	1966	29.30
0-40	3120	46.52
0-60	5136	76.56
0-90	6468	96.41
40-90	3346	49.89
60-90	1332	19.85
90-180	240	3.59
0-180	6708	100.00

NOTE: All Values Have ±7% Tolerance

**Polar Plot**



**Intensity(Candlepower) Summary**

Angle	Along	22.5	45	67.5	Across	Output Lumens
0	2630	2630	2630	2630	2630	–
5	2610	2600	2608	2614	2634	252
15	2470	2466	2476	2482	2502	696
25	2212	2208	2216	2220	2238	1018
35	1856	1852	1852	1852	1858	1156
45	1446	1438	1440	1422	1414	1104
55	1026	1020	1034	1008	996	912
65	632	650	686	678	670	662
75	290	360	428	444	446	426
85	44	164	254	290	298	244
90	0	100	192	232	242	–
95	0	58	142	184	196	134
105	0	6	68	110	122	68
115	0	0	26	58	68	30
125	0	0	2	22	28	10

NOTE: All Values Have ±7% Tolerance