

## VSC6 Linear Round Luminaire



**Application:** The Vyv VSC6 Linear Round Luminaire provides sleek lighting for both individual and continuous runs in indoor applications. Available with multiple mounting options.

**Mode Switching:** Use 'Antimicrobial+Light Mode' when both continuous antimicrobial action and illumination are needed and 'Enhanced Antimicrobial Mode,' which emits a higher dosage of Vyv's antimicrobial wavelengths, as an antimicrobial cleaning mode for when full illumination is not required. See installation instructions (INS-424) for wiring details.

### Product Specifications

**Lens:** Microlinear frosted lens is standard.

**Housing:** The VSC6 is constructed from an extruded aluminum housing with internal components made from die formed cold rolled steel.

**Finish:** White antimicrobial polyester powder coat standard.

**Electrical:** LEDs coupled with high efficiency drivers provide quality illumination. Fixtures supplied with 0-10V dimming down to 1% as standard. Other dimming options are available (Consult Factory).

**LED:** Patented Vyv LED package. The range of CCT (correlated color temperature) follows the color uniformity guidelines of the American National Standard regarding specifications for the chromaticity of solid-state lighting (SSL) products as per ANSI C78.377-2017.

**Approvals:** Fixtures are cETLus listed for Damp Location. EPA Est. 94839-RI-1. Covered by one or more of the following U.S. Patent Numbers: 9,333,274; 9,439,989; 9,713,223; 9,927,097; 10,357,582; 10,753,575



## Ordering

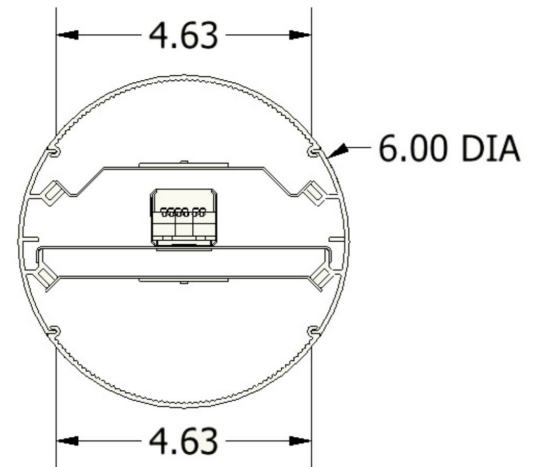
Project: \_\_\_\_\_ Date: \_\_\_\_\_  
 Luminaire Type: \_\_\_\_\_ Approved By: \_\_\_\_\_  
 Product Code: \_\_\_\_\_

Series	Distribution	Mounting	Features	CCT	Size	Diffuser	Finish
VSC6	<b>D</b> Direct	<b>AC</b> Adjustable Aircraft Cable (48" Standard)	<b>N</b> Dual Mode (Antimicrobial+Light Mode & Enhanced Antimicrobial Mode)	<b>30</b> 3000K	<b>2</b> 2'	<b>MFL</b>	<b>WHT</b> White
	<b>DI</b> Direct/ Indirect**						
		<b>SP</b> Swivel Pendant/ Canopy (45°/24" Standard)		<b>40</b> 4000K	<b>4</b> 4'		
		<b>W</b> Wall			<b>5</b> 5'		
					<b>6</b> 6'		
					<b>7</b> 7'		
					<b>8</b> 8'		
					<b>XX</b> XX' (Specify Row Length)		

Voltage	Options	Indirect Lumens Per Foot			
UNV					
UNV 120/277V	<b>Wiring</b> <b>BP</b> In Line Fusing	<b>ILF035</b>	350	<b>ILF120</b>	1200
		<b>ILF055</b>	550	<b>ILF145</b>	1450
		<b>ILF080</b>	800	<b>ILF170</b>	1700
		<b>ILF100</b>	1000	<b>ILF220</b>	2200

\*\*Indirect distribution supplied with nonantimicrobial standard white light only and is switched off in enhanced mode.

## Dimensions



DIRECT/INDIRECT

Consult Installation instructions for exact dimensions.

## Electrical

<b>Input Frequency</b>	50/60Hz
<b>Power Factor</b>	>.9
<b>Control</b>	On/Off via standard light switch Antimicrobial+Light Mode to Enhanced Antimicrobial Mode (optional) via low voltage switch or controls.

## Performance

<b>Configuration</b>	W Direct
<b>Watts/ft</b>	17.5
<b>Lumens/ft</b>	1,078
<b>Lumens/Watt</b>	62

Some options may not be available in all combinations. All fixture configurations subject to final factory approval. Vyv will work with your facility to customize a design for lighting and antimicrobial action. Vyv, Inc. reserves the right to upgrade and improve products without notice.

SPECIFICATIONS AND DATA SUBJECT TO CHANGE WITHOUT NOTICE

Updated August 1, 2022