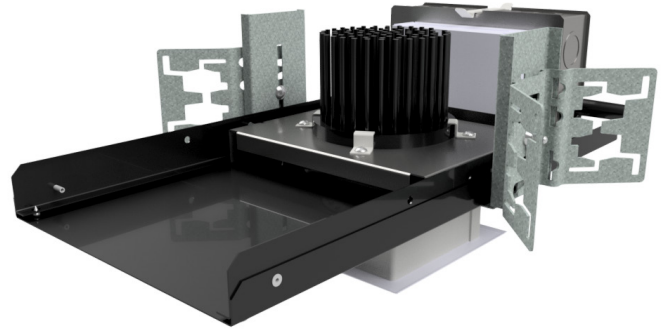


## VSDLD Recessed 4” Downlight Square



**Application:** The Vyv VSDLD provides sleek recessed lighting for a clean look and feel in indoor applications.

**Mode Switching:** Use ‘Antimicrobial+Light Mode’ when both continuous antimicrobial action and illumination are needed and ‘Enhanced Antimicrobial Mode,’ which emits a higher dosage of Vyv’s antimicrobial wavelengths, as an antimicrobial cleaning mode for when full illumination is not required. See installation instructions (INS-443) for wiring details.

### Product Specifications

**Lens:** Solite LP1 tempered glass lens is standard.

**Trim:** Integrated LED module with Spun Aluminum Reflector. Haze anodized reflector is standard.

**Housing:** Fabricated from stamped and die formed galvanized steel. Supplied with a junction box suitable for through wiring (4in/4out). Sliding light engine for easy service.

**Electrical:** LEDs coupled with high efficiency drivers provide quality illumination. Fixtures supplied with 0-10V dimming down to 1% as standard.

**LED:** Patented Vyv LED package. The range of CCT (correlated color temperature) follows the color uniformity guidelines of the American National Standard regarding specifications for the chromaticity of solid-state lighting (SSL) products as per ANSI C78.377-2017.

**Approvals:** Fixtures are cETLus listed for Damp Location. Wet location optional. EPA Est. 94839-RI-1. Covered by one or more of the following U.S. Patent Numbers: 9,333,274; 9,439,989; 9,713,223; 9,927,097; 10,357,582; 10,753,575



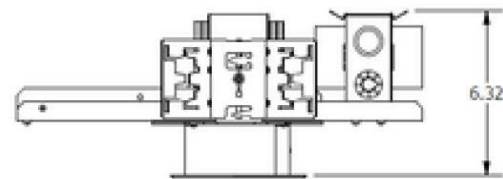
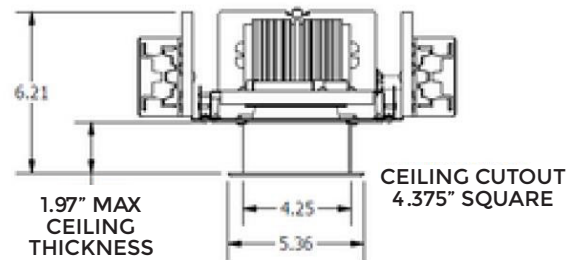
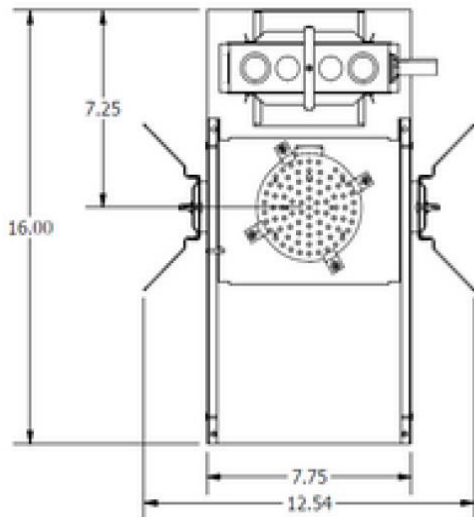
## Ordering

Project: \_\_\_\_\_ Date: \_\_\_\_\_  
 Luminaire Type: \_\_\_\_\_ Approved By: \_\_\_\_\_  
 Product Code: \_\_\_\_\_

Series	Lumens	Features	CCT	Reflector Finish	Lens	Voltage	Options
VSDLD	010				LP1		
	010 1,000lm	<b>N</b> Dual Mode (Antimicrobial+Light Mode & Enhanced Antimicrobial Mode) <b>W</b> Antimicrobial +Light Mode	<b>30</b> 3000K <b>35</b> 3500K <b>40</b> 4000K	<b>FP1</b> Haze (Anodized) Standard <b>FP2</b> White Powder Coat <b>FP3</b> Black Powder Coat <b>FP4</b> Custom Color (Consult Factory)	<b>LP1</b> <b>LP1</b>	<b>120</b> 120V <b>277</b> 277V	<b>Wiring</b> <b>BP</b> In Line Fusing <b>Approval</b> <b>WL</b> Wet Location <b>CRI*</b> <b>90CRI</b> 90 CRI

## Dimensions

Consult installation instructions for exact dimensions.



## Electrical

Input Frequency	50/60Hz
Power Factor	>.9
Control	On/Off via standard light switch Antimicrobial+Light Mode to Enhanced Antimicrobial Mode (optional) via low voltage switch or controls.

\*90+CRI reduces lumen output by 20%.  
 Some options may not be available in all combinations.  
 All fixture configurations subject to final factory approval.  
 Vyv will work with your facility to customize a design for lighting and antimicrobial action.  
 Vyv, Inc. reserves the right to upgrade and improve products without notice.

SPECIFICATIONS AND DATA SUBJECT TO CHANGE WITHOUT NOTICE

Updated August 1, 2022