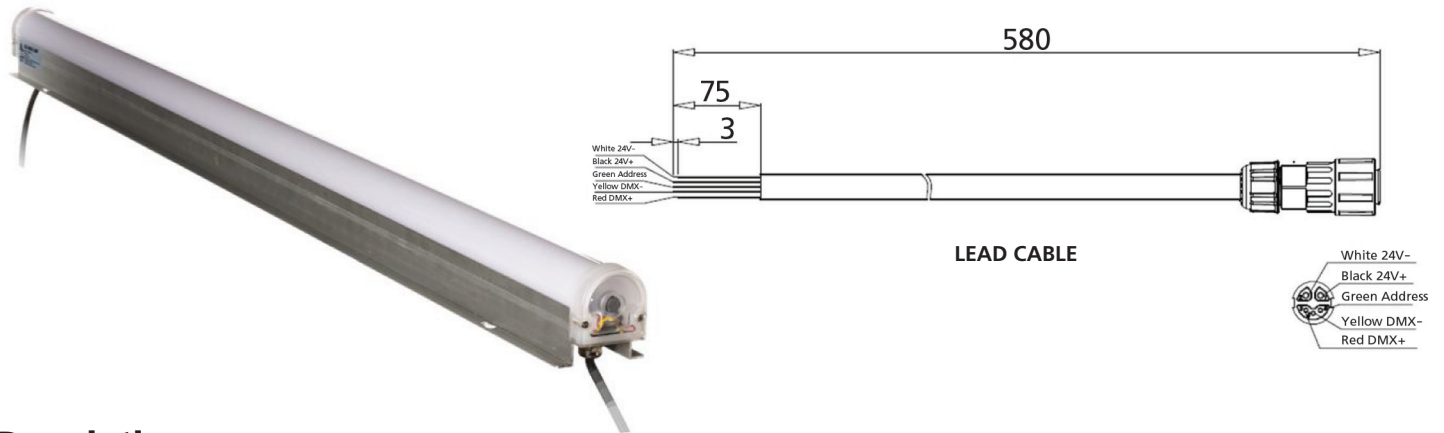


TPR PHANTOM™ PIXEL TUBE

IP65



Description:

The **TPR Phantom™ Pixel Tube** is a rigid RGB fixture for Architectural and Entertainment use. It is available in 1', 2' and 4' lengths, is IP65 rated for outdoor use, and is Pixelated for chasing color scenes. Each 6" is a pixel. Each pixel can be programmed independently for color change, chase, etc. This fixture is run via DMX512 protocol and is extremely light weight and easy to install. Each 6" is 3 channels. Example: 4ft=24 channels. Discuss control options with factory.

Specifications: *

Operating Voltage:	24VDC	Power Supply:	Meanwell 24VDC (90-305VAC)
Lumen Output:	240lm (4')	Lifetime:	50,000 hrs at 70% output
Operating Temp:	-4F to 104F (-20C to 40C)	Maximum Run:	32' (8 x 4', 16 x 2')
Dimensions:	2"W x 4"H x 1', 2', or 4'	Weight:	3.5lbs
Watts:	4W/ft	Mounting:	Clips, Included

Certifications:



Ordering Logic:

MODEL	LENGTH
TPR – PIXLT	1' 2' 4'

Accessories:

TPR – PIXLT – PC – 10	10" Power/Control Feed IP65 to bare end
TPR – PIXLT – PCJ – 1	1' Power/Control Jumper IP65 male to IP65 female
TPR – PIXLT – PCJ – 3	3' Power/Control Jumper IP65 male to IP65 female

* Specifications subject to change without notice.