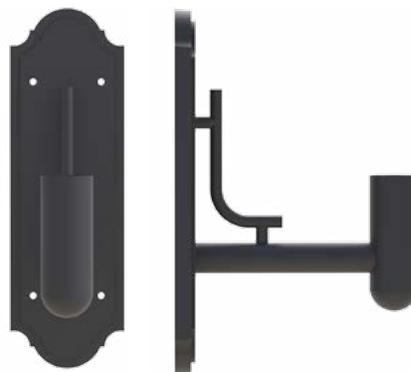
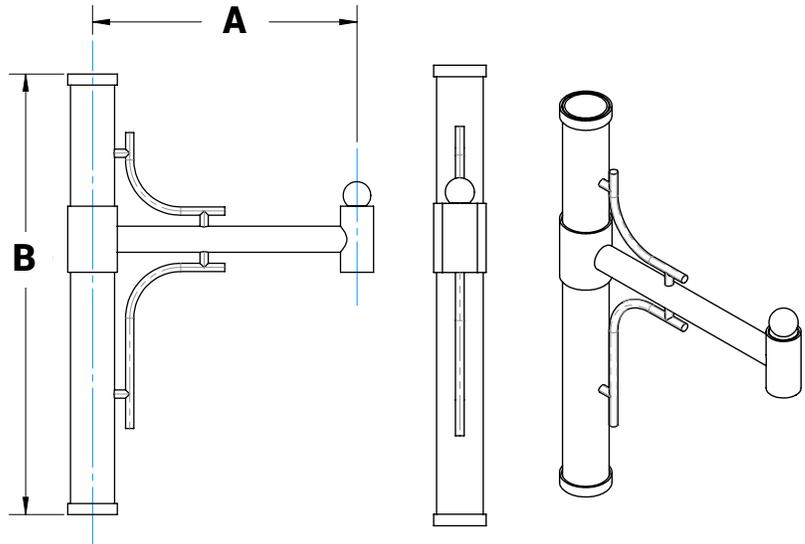




**A11 Single**



**A11 Wall Mount Cast Wall Plate**

MODEL	A	B	EPA SGL	EPA DBL	EPA WM
A11	24 in.	40 in.	1.8	2.5	1.04

Architectural Arm 11 is constructed of extruded aluminum tubing and available for both post top and pendant mount luminaires. Integrates with poles or tenons of 3-1/2", 4", 4-1/2", or 5" OD and is secured with 3/8" stainless steel Allen set screws.

Contact NLS for custom configuration or other mounting options. Designed, tooled, fabricated and assembled in the USA.



Project Name:

Type:

Cat #	Mounting	Pole or Tenon Diameter	Color
Architectural Arm 11 <b>(A11)</b>	Single <b>(SGL)</b>	3 1/2" Round <b>(312R)</b>	Bronze <b>(BRZ)</b>
	Double 180° <b>(D180)</b>	4" Round <b>(4R)</b>	White <b>(WHT)</b>
	Wall Mount <b>(WM)</b>	4 1/2" Round <b>(412R)</b>	Silver <b>(SVR)</b>
		5" Round <b>(5R)</b>	Black <b>(BLK)</b>
			Hunter Green <b>(HGN)</b>
			Graphite <b>(GPH)</b>
			Grey <b>(GRY)</b>
			Custom <b>(CS)</b>