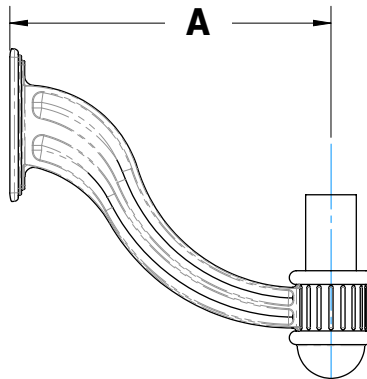


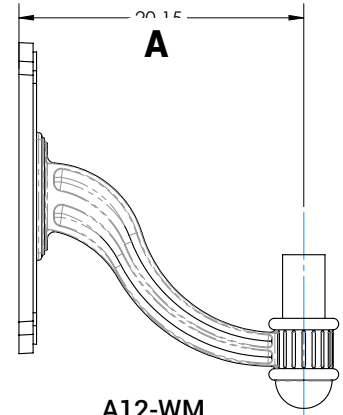
ARMS



A12 Single



A12-SGL (Bolts to Pole)



A12-WM

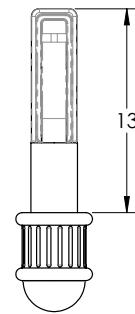


A12 Double 180°

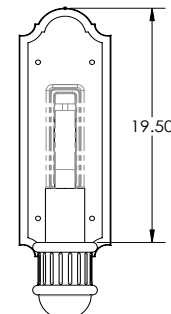
MODEL	A	EPA SGL	EPA DBL	EPA WM
A12	19 in.	.77	1.7	.96

Architectural Arm 12 is constructed of extruded aluminum tubing and available for both post top and pendant mount luminaires. Integrates with poles or tenons of 3-1/2", 4", 4-1/2", or 5" OD and is secured with 3/8" stainless steel Allen set screws.

Contact NLS for custom configuration or other mounting options. Designed, tooled, fabricated and assembled in the USA.



A12-SGL



A12-WM



A12 Wall Mount

Project Name:

Type:

Cat #	Mounting	Pole or Tenon Diameter	Color
Architectural Arm 12 (A12)	Single (SGL)	3 1/2" Round (312R)	Bronze (BRZ) White (WHT)
	Double 180° (D180)	4" Round (4R)	Silver (SVR) Black (BLK)
	Wall Mount (WM)	4 1/2" Round (412R) 5" Round (5R)	Hunter Green (HGN) Graphite (GPH) Grey (GRY) Custom (CS)