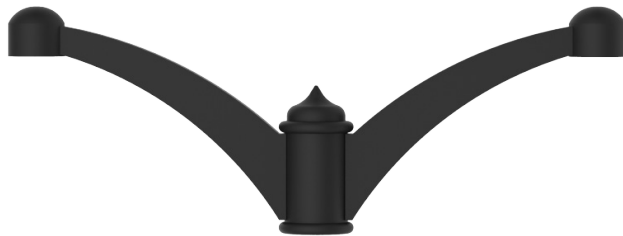
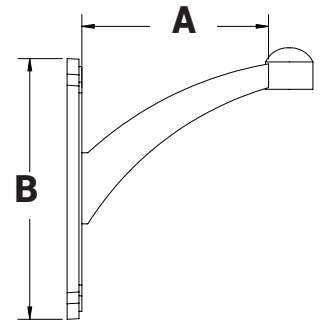
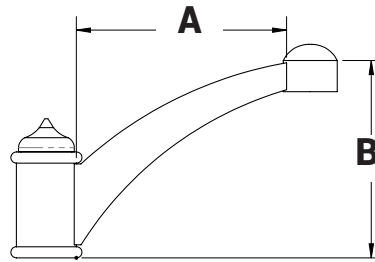
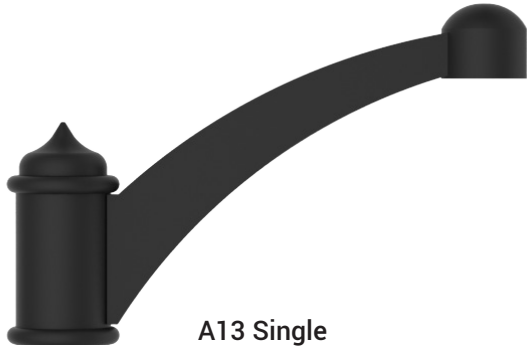


ARMS

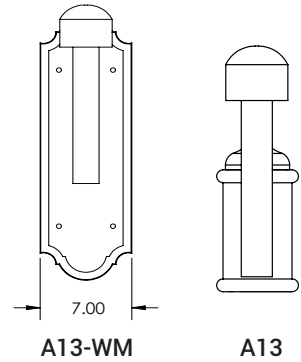


MODEL	A	B	EPA SGL	EPA DBL	EPA WM
A13-L	16 in.	12 in.	1	1.6	.8



Architectural Arm 13 is constructed of extruded aluminum tubing and available for both post top and pendant mount luminaires. Integrates with poles or tenons of 3-1/2", 4", 4-1/2", or 5" OD and is secured with 3/8" stainless steel Allen set screws.

Contact NLS for custom configuration or other mounting options. Designed, tooled, fabricated and assembled in the USA.



Project Name:

Type:

Cat #	Mounting	Pole or Tenon Diameter	Color
Architectural Arm 13 Large (A13-L)	Single (SGL)	3 1/2" Round (312R)	Bronze (BRZ)
	Double 180° (D180)	4" Round (4R)	White (WHT)
	Wall Mount (WM)	4 1/2" Round (412R)	Silver (SVR)
		5" Round (5R)	Black (BLK)
			Hunter Green (HGN)
			Graphite (GPH)
			Grey (GRY)
			Custom (CS)