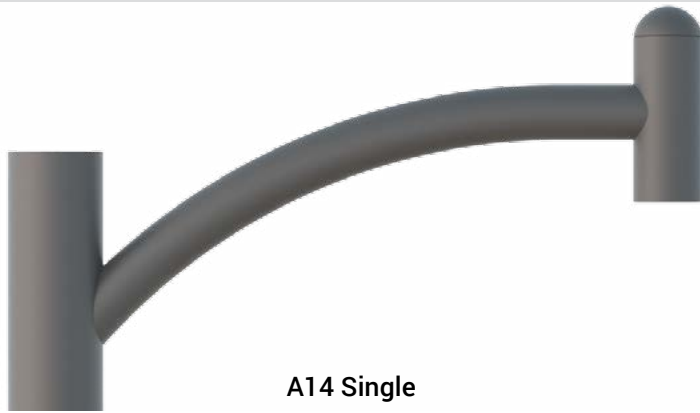


ARMS



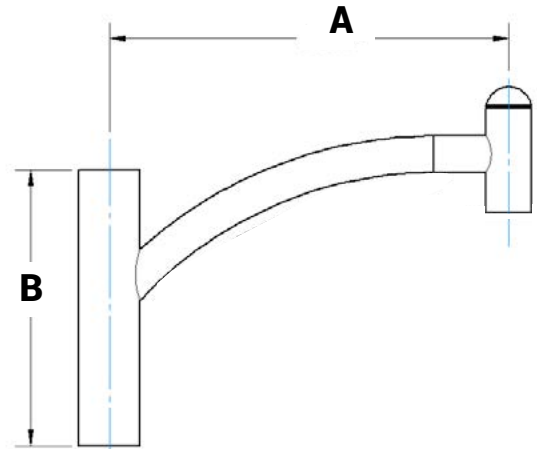
A14 Single



A14 Double 180°



A14 Wall Mount



MODEL	A	B	EPA SGL	EPA DBL	EPA WM
A14-S	17 in.	15 in.	.85	1.3	.45
A14-L	26 in.	18 in.	1.09	1.64	.6

Architectural Arm 14 is constructed of extruded aluminum tubing and available for both post top and pendant mount luminaires. Integrates with poles or tenons of 3-1/2", 4", 4-1/2", or 5" OD and is secured with 3/8" stainless steel Allen set screws.



Contact NLS for custom configuration or others mounting options. Arms are designed, tooled, fabricated and assembled in the USA.



Project Name:

Type:

Cat #	Mounting	Pole or Tenon Diameter	Color
Architectural Arm 14 Small (A14-S)	Single (SGL)	3 1/2" Round (312R)	Bronze (BRZ) White (WHT)
	Double 180° (D180)	4" Round (4R)	Silver (SVR) Black (BLK)
Architectural Arm 14 Large (A14-L)	Wall Mount (WM)	4 1/2" Round (412R)	Hunter Green (HGN)
		5" Round (5R)	Graphite (GPH) Grey (GRY) Custom (CS)