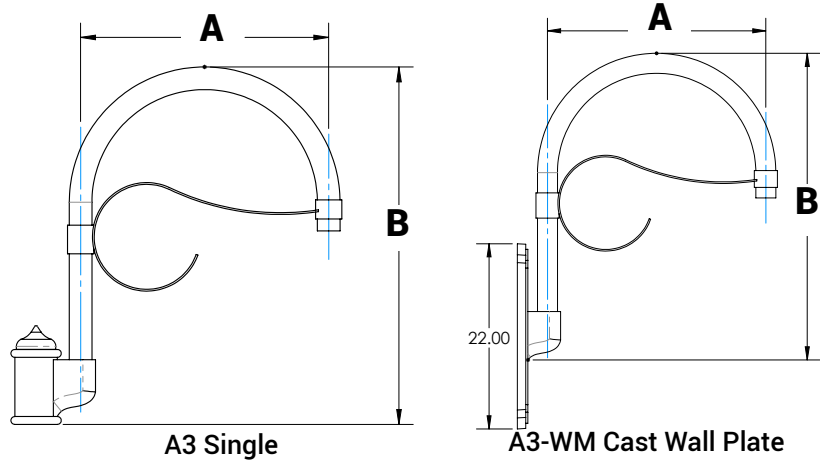
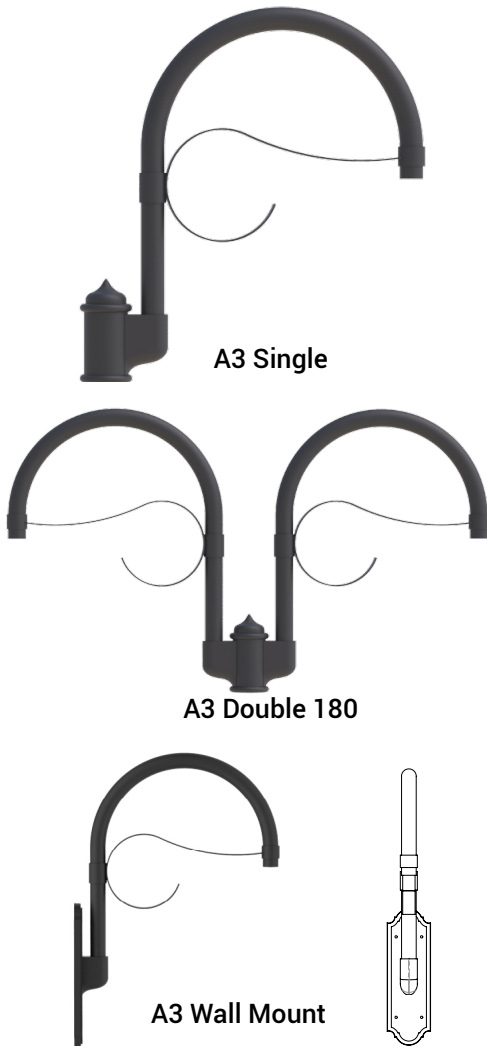


ARMS



MODEL	A	B	C	EPA SGL	EPA DBL	EPA WM
A3-S	17 in.	29 in.	1 7/8" Ø (1-1/2 in. SCH40)	1.2	1.9	.9
A3-L	26 in.	38 in.	1 7/8" Ø (1-1/2 in. SCH40)	1.5	2.8	1.4
A3-XL	26 in.	38 in.	2 3/8" Ø (2 in. SCH40)			

Architectural Arm 3 is constructed of extruded aluminum tubing. Integrates with poles or tenons of 3-1/2", 4", 4-1/2", or 5" OD and is secured with 3/8" stainless steel Allen set screws.

Contact NLS for custom configuration or others mounting options. Arms are designed, tooled, fabricated and assembled in the USA.



Project Name:

Type:

Cat #	Mounting	Pole or Tenon Diameter	Color
Architectural Arm 3 Small (A3-S)	Single (SGL)	3" Round (3R)	Bronze (BRZ)
	Double 180° (D180)	4" Round (4R)	White (WHT)
Architectural Arm 3 Large (A3-L)	Wall Mount (WM)	4 1/2" Round (412R)	Silver (SVR)
		5" Round (5R)	Black (BLK)
Architectural Arm 3 X-Large (A3-XL)			Hunter Green (HGN)
			Graphite (GPH)
			Grey (GRY)
			Custom (CS)