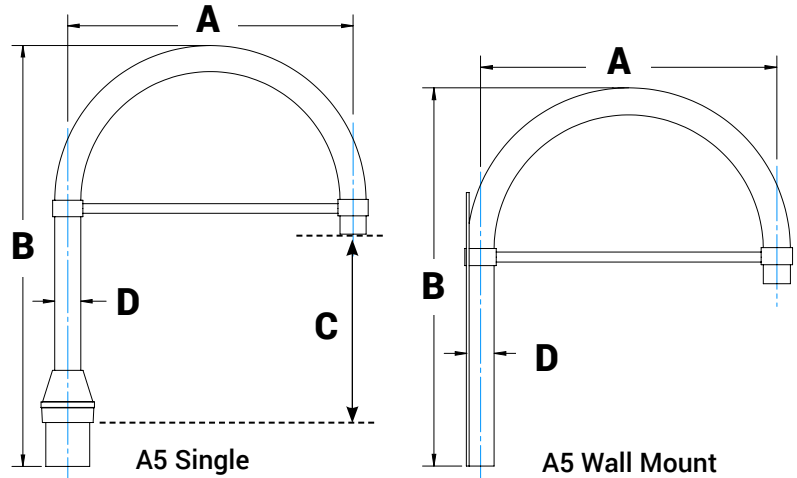
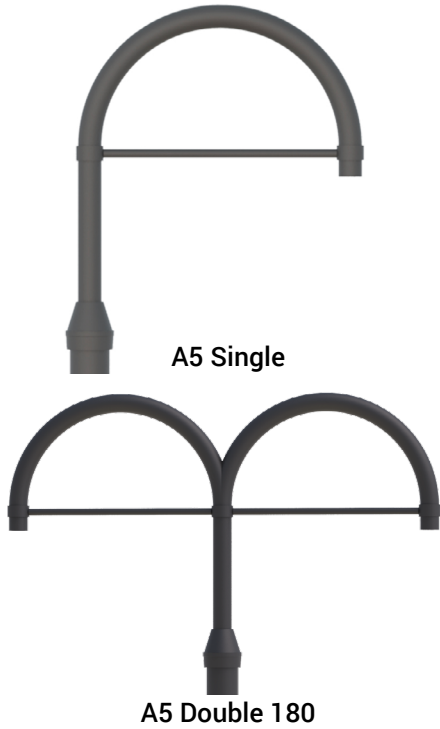


ARMS



| MODEL | A | B | C | D | EPA SGL | EPA DBL | EPA WM |
|-------------|--------|--------|----------|-------------------------------|---------|---------|--------|
| A5-S | 17 in. | 20 in. | 10.5 in. | 1 7/8" Ø (1-1/2 in. SCH40) | 1.8 | 3.0 | 1.2 |
| A5-L | 26 in. | 38 in. | 17.5 in. | 1 7/8" Ø (1-1/2 in. SCH40) | 1.5 | 2.7 | 1.0 |



Architectural Arm 5 is constructed of extruded aluminum tubing. Integrates with poles or tenons of 3-1/2", 4", 4-1/2", or 5" OD and is secured with 3/8" stainless steel Allen set screws.

Contact NLS for custom configuration or others mounting options. Arms are designed, tooled, fabricated and assembled in the USA.



Project Name:

Type:

| Cat # | Mounting | Pole or Tenon Diameter | Color |
|--|------------------------------|-------------------------------|---------------------------|
| Architectural Arm 5 Small (A5-S) | Single (SGL) | 3 1/2" Round (312R) | Bronze (BRZ) |
| | Double 180° (D180) | 4" Round (4R) | White (WHT) |
| Architectural Arm 5 Large (A5-L) | Wall Mount (WM) | 4 1/2" Round (412R) | Silver (SVR) |
| | | 5" Round (5R) | Black (BLK) |
| | | | Hunter Green (HGN) |
| | | | Graphite (GPH) |
| | | | Grey (GRY) |
| | | | Custom (CS) |