

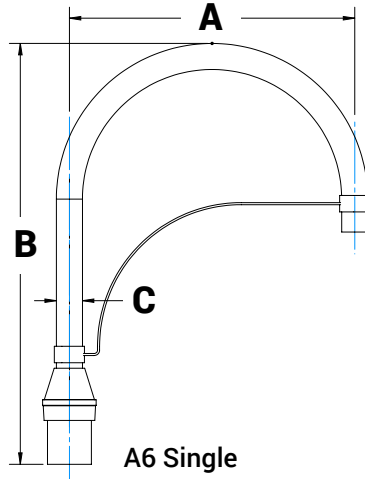
ARMS



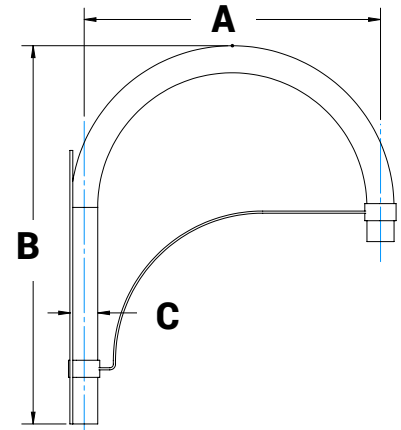
A6 Single



A6 Double 180

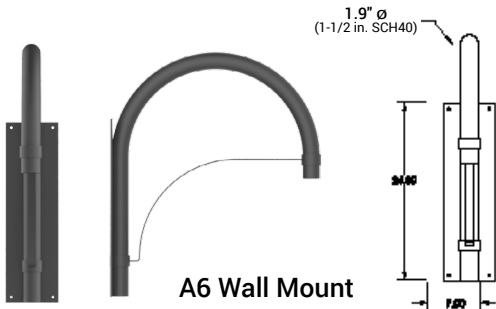


A6 Single



A6 Wall Mount

MODEL	A	B	C	EPA SGL	EPA DBL	EPA WM
<b>A6-S</b>	17 in.	20 in.	1 7/8" Ø (1-1/2 in. SCH40)	1.8	3.0	1.2
<b>A6-L</b>	26 in.	38 in.	1 7/8" Ø (1-1/2 in. SCH40)	1.5	2.7	1.0



A6 Wall Mount

Architectural Arm 6 is constructed of extruded aluminum tubing. Integrates with poles or tenons of 3-1/2", 4", 4-1/2", or 5" OD and is secured with 3/8" stainless steel Allen set screws.

Contact NLS for custom configuration or others mounting options. Arms are designed, tooled, fabricated and assembled in the USA.



Project Name:

Type:

Cat #	Mounting	Pole or Tenon Diameter	Color
Architectural Arm 6 Small <b>(A6-S)</b>	Single <b>(SGL)</b>	3 1/2" Round <b>(312R)</b>	Bronze <b>(BRZ)</b>
	Double 180° <b>(D180)</b>	4" Round <b>(4R)</b>	White <b>(WHT)</b>
Architectural Arm 6 Large <b>(A6-L)</b>	Wall Mount <b>(WM)</b>	4 1/2" Round <b>(412R)</b>	Silver <b>(SVR)</b>
		5" Round <b>(5R)</b>	Black <b>(BLK)</b>
			Hunter Green <b>(HGN)</b>
			Graphite <b>(GPH)</b>
			Grey <b>(GRY)</b>
			Custom <b>(CS)</b>