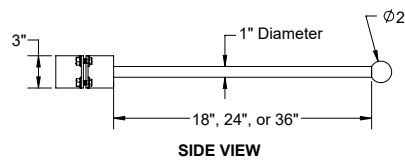
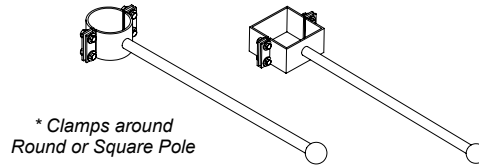
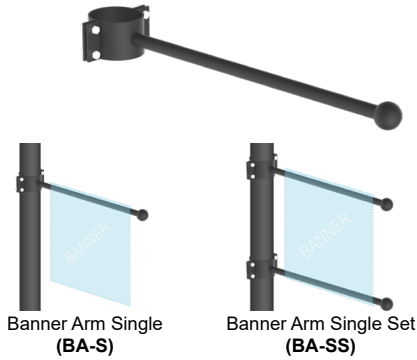
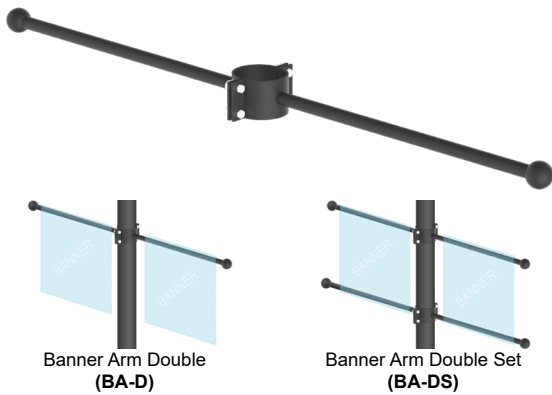


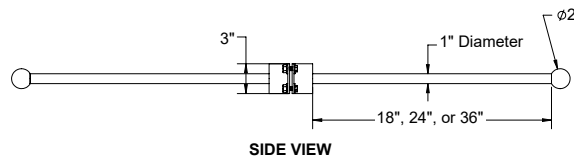
Banner Arms (BA) are constructed of 1" OD extruded aluminum pipe, extending 18", 24" or 36" in length. The threaded end of the pipe is capped with a 2" OD screw-on spherical finial. Banner Arms are available for round or square poles and clamped using 3/8-16 hardware. A "set" in Single Set, or Double Set arms consists of top and bottom arms that align vertically, parallel to each other. Consult with factory for a custom configuration or tapered pole banner arms.



EPA	SINGLE
18"	.25
24"	.29
36"	.38



* Double Arms clamp at 180° on Round or Square Pole



EPA	DOUBLE
18"	.40
24"	.50
36"	.65

Project Name:

Type:

Cat #	Arm Length	Pole Diameter	Color
Banner Arm Single (BA-S)	18" (18)	3" SQ (3S) 3½" SQ (312S) 4" SQ (4S)	Bronze (BRZ) White (WHT)
Banner Arm Single Set (BA-SS)	24" (24)	4½" SQ (412S) 5" SQ (5S) 5½" SQ (512S)	Silver (SVR) Black (BLK)
Banner Arm Double (BA-D)	36" (36)	2¾" OD (238R) 3" OD (3R) 3½" OD (312R) 4" OD (4R) 4½" OD (412R) 5" OD (5R) 5½" OD (512R)	Green (GRN) Hunter Green (HGN) Graphite (GPH) Grey (GRY) Custom (CS)
Banner Arm Double Set (BA-DS)			

*Consult factory for tapered pole