

The **Cambria** adds a touch of class and elegance to any Municipal or Residential project. Architectural form by day and efficient by night. The **Cambria** is the perfect low glare solution for any Roadway, Street, Residential or Pathway project.

Utilizing the latest LED technology – The Patented **STAR POWER™ Optical System** keeps glare to a bare minimum.

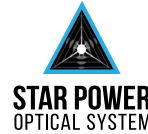
Optical System: Patented **STAR POWER™ Optical System**, with an outer Injection molded refractor available in IES Distributions T3 and T5. Offered in 2700K, 3000K, 3500K, 4000K, and 5000K color temperature.

Mounting: The **Cambria** Post Top fits 3" OD (PT3) tenon. Stainless Steel Set screws are provided by factory to secure the **Cambria** to the pole tenon.

The **Cambria** has an easy, accessible door below the light engine that houses the Nema 7-Pin Receptacle (PE7).



* Receptacle + Shorting Cap (PER) shown with lens in capitol.



STAR POWER™ OPTICAL SYSTEM

The Star Power™ reflector is an excellent system which provides great value and performance. Star Power Patent number: 10168023

LED WATTAGE CHART

	16L	32L	48L
350 milliamps	17w	34w	53w
530 milliamps	26w	54w	80w
700 milliamps	33w	71w	104w

Project Name:

Type:

--	--	--	--	--	--	--	--	--

Cat#	Light Dist.	# of LEDs	Milliamps	Kelvin	Volts	Mounting	Color	Options
Cambria (CAM-1)	Type 3 (T3)	16 (16L)	350 (35)	2700K, 70 CRI (27K7)	120-277 (UNV)	Post Top Over 3" OD (PT3)	Bronze Textured (BRZ)	Marine Grade Finish (MGF)
	Type 5 (T5)	32 (32L)	530 (53)	2700K, 80 CRI (27K8) ①	347-480 (HV)		White Textured (WHT)	Button Photocell (PC) ②
		48 (48L)	700 (7)	3000K, 70 CRI (30K7)			Smooth White Gloss (SWT)	Nema 7-Pin Receptacle (PE7)
	3000K, 80 CRI (30K8) ①		Silver (SVR)	Photocell + Receptacle (PCR)				
	3500K, 80 CRI (35K8) ①		Black Textured (BLK)	Receptacle + Shorting Cap (PER)				
	4000K, 70 CRI (40K7)	Smooth Black Gloss (SBK)	House Side Shield (HSS)					
	4000K, 80 CRI (40K8) ①	Graphite Textured (GPH)						
	5000K, 70 CRI (50K7)	Grey Textured (GRY)						
	5000K, 80 CRI (50K8) ①	Custom (CS)						

Notes:

- ① Consult Factory for Lead Time. Consult Factory for 90 CRI Requests.
- ② Universal Voltage 120-277

PRODUCT SPECIFICATIONS

ELECTRICAL

- 120-277 Volts (UNV) or 347-480 Volts (HV)
- 0-10V dimming driver
- Driver power factor at maximum load is $\geq .95$, THD maximum load is 15%
- LED Drivers Ambient Temp. Min is -40°C and Ambient Temp. Max ranges from 50°C to 55°C and, in some cases, even higher. Consult the factory for revalidation by providing the fixture catalog string before quoting and specifying it.
- All internal wiring UL certified for 600 VAC and 105°C
- CRI 70, 80 or 90
- Color temperatures: 2700, 3000K, 3500K, 4000K, 5000K
- Surge Protection: 20KA supplied as standard.

CONSTRUCTION

- Cast Aluminum, Spun Aluminum

OPTIONS

- MARINE GRADE FINISH (MGF) - A multi-step process creating protective finishing coat against harsh environments. Chemically washed in a 5 stage cleaning system. Pre-baked, Powder coated 3-5 mils of Zinc Rich Super Durable Polyester Primer. Oven Baked. Finished Powder Coating of Super Durable Polyester Powder Coat 3-5 mil thickness.

House Side Shield (HSS) is designed for full property line cut-off.

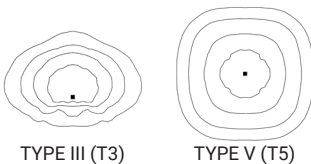
CONTROL OPTIONS

- NEMA 7-PIN RECEPTACLE (PE7)—An ANSI C136.41-2013 receptacle provides electrical and mechanical interconnection between photo control cell and luminaire. Dimming receptacle available two or four dimming contacts supports 0-10 VDC dimming methods or Digital Addressable Lighting Interface (DALI), providing reliable power interconnect.
- PHOTOCELL + RECEPTACLE (PCR)—7-Pin Receptacle and Electronic Twist Lock PhotoCell for dusk to dawn operation.
- RECEPTACLE + SHORTING CAP (PER)—7-Pin Receptacle and Shorting Cap.
- PHOTOCELL - Button type photocell.
- Controls Agnostic: Please contact factory for your preferred controls option.

OPTICS

Recessed Star Power Optical System is 95% reflective material. Utilizes a linear diffused pattern, softening the light distribution and eliminating any dark shadows or striations.

- IES Types



FINISH

- 3-5 mils electrostatic powder coat.
- NLS Lighting standard high-quality finishes prevent corrosion and protects against extreme environmental conditions

WARRANTY

Five-year limited warranty for drivers and LEDs.

LISTINGS

- Certified to UL 1598
- UL 8750
- CSA C22.2 No. 250.0
- IP65 Rated
- 3G Vibration Rated per ANSI C136.31-2010



The information and specifications on this document are subject to change without any notification. All values are design, nominal, typical or prorated values when measured under internal and external laboratory conditions.



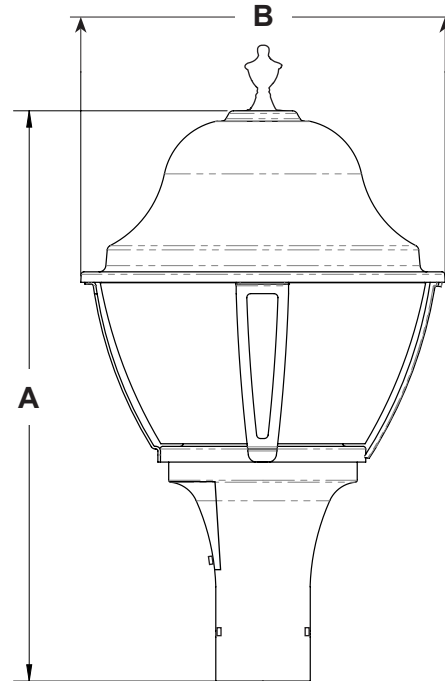
701 Kingshill Place, Carson, CA 90746
Call Us Today (310) 341-2037

nlsighting.com

PRODUCT SPECIFICATIONS

CAMBRIA LUMEN DATA CHART

PART NUMBER	T3 LUMENS	T3 LM/W	T5 LUMENS	T5 LM/W	Watts
CAM-1-16L-35-30K7	1598	94	1632	96	17
CAM-1-16L-35-40K7	1649	97	1700	100	17
CAM-1-16L-35-50K7	1717	101	1768	104	17
CAM-1-16L-53-30K7	2444	94	2496	96	26
CAM-1-16L-53-40K7	2522	97	2600	100	26
CAM-1-16L-53-50K7	2626	101	2704	104	26
CAM-1-16L-7-30K7	3102	94	3168	96	33
CAM-1-16L-7-40K7	3201	97	3300	100	33
CAM-1-16L-7-50K7	3333	101	3432	104	33
CAM-1-32L-35-30K7	3196	94	3264	96	34
CAM-1-32L-35-40K7	3298	97	3400	100	34
CAM-1-32L-35-50K7	3434	101	3536	104	34
CAM-1-32L-53-30K7	5076	94	5184	96	54
CAM-1-32L-53-40K7	5238	97	5400	100	54
CAM-1-32L-53-50K7	5454	101	5616	104	54
CAM-1-32L-7-30K7	6674	94	6816	96	71
CAM-1-32L-7-40K7	6887	97	7100	100	71
CAM-1-32L-7-50K7	7171	101	7384	104	71
CAM-1-48L-35-30K7	4982	94	5088	96	53
CAM-1-48L-35-40K7	5141	97	5300	100	53
CAM-1-48L-35-50K7	5353	101	5512	104	53
CAM-1-48L-53-30K7	7520	94	7680	96	80
CAM-1-48L-53-40K7	7760	97	8000	100	80
CAM-1-48L-53-50K7	8080	101	8320	104	80
CAM-1-48L-7-30K7	9776	94	9984	96	104
CAM-1-48L-7-40K7	10088	97	10400	100	104
CAM-1-48L-7-50K7	10504	101	10816	104	104



DIMENSION	CAMBRIA
A	27.22 in.
B	17.39 in.
WEIGHT	20 lbs.

EPA	
SINGLE	1.8

The Cambria includes 3" Cast *Finial* as standard, powder-coated finish to match fixture.

