

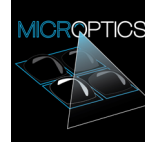
The Classic Mini LED Post Top Lantern blends traditional design with modern LED and optical technology. The Classic Mini is able to provide illumination at (70) seventy percent energy savings compared to previous technology.

The Classic Mini is Dark Sky Friendly and features a full cutoff optical reflector system. Micro Optics— recessed within the fixture's surface and can distribute light up to five times the mounting height, creating powerful uniformity. The Classic Mini LED provides uniform illumination with up to four to five mounting heights. The optical system is completely concealed inside the fixture top eliminating glare. The Classic Mini is available in 2700K, 3000K, 3500K, 4000K and 5000K Kelvin and is available from 18-56 watts. The Classic Mini LED Series is the perfect luminaire for traditional American neighborhoods.

The standard Classic Mini LED comes with flat glass lens in the top of the fixture with open sides. Opal Side Lens, Frosted Side Lens, and Clear Side Lens can be ordered as options.



*Standard Clear Top Lens



MICRO OPTIC SYSTEM

Our new cell-enclosed, Micro Optic silicone modules produce high clarity and outstanding performance.

LED WATTAGE CHART

	16L
350 milliamps	18w
530 milliamps	28w
700 milliamps	36w
1050 milliamps	56w

Project Name:

Type:

--	--	--	--	--	--	--	--	--

Cat#	Light Dist.	# of LEDs	Milliamps	Kelvin	Volts	Mounting	Color	Options
Classic Mini (CLA-M)	Type 2 (T2)	16 (16L)	350 (35)	2700K, 70 CRI (27K7)	120-277 (UNV)	Post Top Over 2-3/8" OD (T2R)	Bronze Textured (BRZ)	Marine Grade Finish (MGF) Photocell (PC) ④
	Type 3 (T3)	530 (53)	2700K, 80 CRI (27K8) ①	Post Top Over 3" OD (T3R)		White Textured (WHT)	Nema 7-Pin Receptacle (PE7) Photocell + Receptacle (PCR)	
	Type 4 (T4)	700 (7)	3000K, 70 CRI (30K7)	Arm Mount (AM) ②		Smooth White Gloss (SWT)	Receptacle + Shorting Cap (PER) House Side Shield (HSS)	
	Type 5 (T5)	1050 (1)	3000K, 80 CRI (30K8) ①	Pendant Mount		Opal Side Lens (OSL) Clear Side Lens (CSL) Frosted Side Lens (FSL)		
	3500K, 80 CRI (35K8)	1' (PM1) ③	Silver (SVR)	Terminal Block (TB)				
	4000K, 70 CRI (40K7)	2' (PM2) ③	Black Textured (BLK)	Toolless Entry (TE)				
	4000K, 80 CRI (40K8) ①	3' (PM3) ③	Smooth Black Gloss (SBK)					
	5000K, 70 CRI (50K7)	4' (PM4) ③	Graphite Textured (GPH)					
	5000K, 80 CRI (50K8) ①	5' (PM5) ③	Grey Textured (GRY)					
			Custom (CS)					

Notes:

- ① Consult Factory for Lead Time. Consult Factory for 90 CRI Requests.
- ② For use with Decorative Arms
- ③ Comes with 1/2" Coupling
- ④ Universal Voltage 120-277

PRODUCT SPECIFICATIONS

ELECTRICAL

- 120-277 Volts (UNV) or 347-480 Volts (HV)
- 0-10V dimming driver
- Driver power factor at maximum load is $\geq .95$, THD maximum load is 15%
- LED Drivers Ambient Temp. Min is -40°C and Ambient Temp. Max ranges from 50°C to 55°C and, in some cases, even higher. Consult the factory for revalidation by providing the fixture catalog string before quoting and specifying it.
- All internal wiring UL certified for 600 VAC and 105°C
- CRI 70, 80 or 90
- Color temperatures: 3000K, 3500K, 4000K, 5000K
- Surge Protection: 20KA supplied as standard.

CONSTRUCTION

- Cast Aluminum

OPTIONS

- MARINE GRADE FINISH (MGF) - A multi-step process creating protective finishing coat against harsh environments. Chemically washed in a 5 stage cleaning system. Pre-baked, Powder coated 3-5 mils of Zinc Rich Super Durable Polyester Primer. Oven Baked. Finished Powder Coating of Super Durable Polyester Powder Coat 3-5 mil thickness.

HOUSE SIDE SHIELD (HSS) - Designed for full property line cutoff.

OPAL SIDE LENS - Translucent white side lens.

CLEAR SIDE LENS - Clear side lens.

FROSTED SIDE LENS - Frosted, textured side lens.

TERMINAL BLOCK - Internal terminal block.

TOOLESS ENTRY - Easy tool-less entry into the fixture.

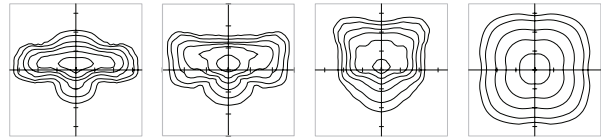
CONTROL OPTIONS

- Controls Agnostics: Please contact factory for your preferred controls option.
- PHOTOCELL - Button type photocell.
- NEMA 7-PIN RECEPTACLE (PE7)—An ANSI C136.41-2013 receptacle provides electrical and mechanical interconnection between photo control cell and luminaire. Dimming receptacle available two or four dimming contacts supports 0-10 VDC dimming methods or Digital Addressable Lighting Interface (DALI), providing reliable power interconnect.
- PHOTOCELL + RECEPTACLE (PCR)—7-Pin Receptacle and Electronic Twist Lock Photocell for dusk to dawn operation.
- RECEPTACLE + SHORTING CAP (PER)—7-Pin Receptacle and Shorting Cap.

OPTICS

Silicone optics high photo-thermal stability and light output provides higher powered LEDs with minimized lumen depreciation LED life. UV and thermal stability with scratch resistance increases exterior application durability.

- IES Types



TYPE II (T2) TYPE III (T3) TYPE IV (T4) TYPE V (T5)

FINISH

- 3-5 mils electrostatic powder coat.
- NLS Light's standard high-quality finishes prevent corrosion protects against and extreme environmental conditions

WARRANTY

Five-year limited warranty for drivers and LEDs.

LISTINGS

- Certified to UL 1598
- UL 8750
- CSA C22.2 No. 250.0



The information and specifications on this document are subject to change without any notification. All values are design, nominal, typical or prorated values when measured under internal and external laboratory conditions.



701 Kingshill Place, Carson, CA 90746
Call Us Today (310) 341-2037

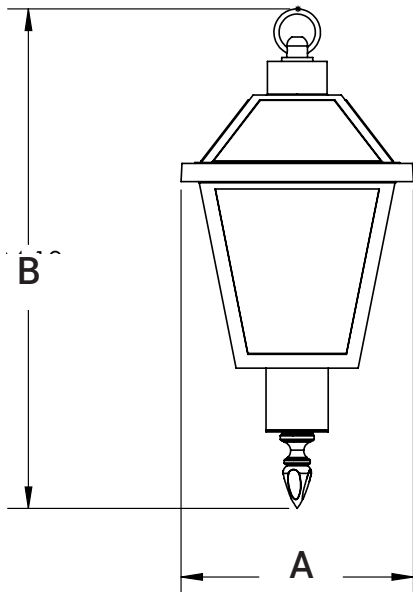
nlsighting.com

PRODUCT SPECIFICATIONS

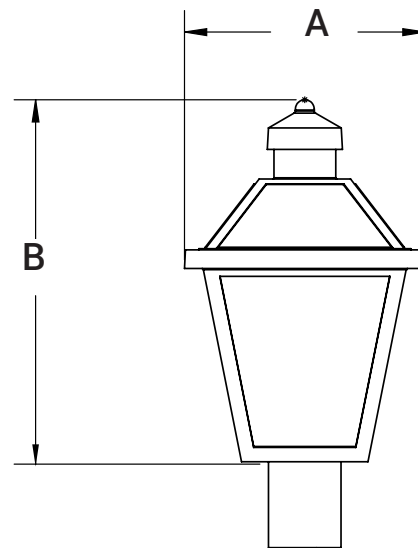
CLASSIC - LUMEN DATA CHART

PART NUMBER	T2 LUMENS	L/W	T3 LUMENS	L/W	T3 HSS LUMENS	L/W	T4 LUMENS	L/W	T4 HSS LUMENS	L/W	T5 LUMENS	L/W	Watts
CLA-M-16L-35-30K7	2142	119	2088	116	1044	58	2070	115	1026	57	2160	120	18
CLA-M-16L-35-40K7	2305	128	2247	125	1116	62	2227	124	1098	61	2322	129	18
CLA-M-16L-35-50K7	2356	131	2297	128	1188	66	2277	127	1170	65	2376	132	18
CLA-M-16L-53-30K7	3275	117	3192	114	1624	58	3165	113	1596	57	3304	118	28
CLA-M-16L-53-40K7	3524	126	3435	123	1736	62	3406	122	1708	61	3556	127	28
CLA-M-16L-53-50K7	3603	129	3511	125	1848	66	3482	124	1820	65	3640	130	28
CLA-M-16L-7-30K7	4100	114	4115	111	2088	58	4003	111	2052	57	4176	116	36
CLA-M-16L-7-40K7	4411	123	4300	119	2232	62	4308	120	2196	61	4500	125	36
CLA-M-16L-7-50K7	4510	125	4396	122	2376	66	4404	122	2340	65	4608	128	36
CLA-M-16L-1-30K7	5858	105	5712	102	3248	58	5661	101	3192	57	5880	105	56
CLA-M-16L-1-40K7	6303	113	6146	110	3472	62	6091	109	3416	61	6328	113	56
CLA-M-16L-1-50K7	6443	115	6283	112	3696	66	6227	111	3640	65	6496	116	56

DIMENSION	CLA-M	CLA-M-PM
A	11.22 in. SQ	11.22 in. SQ
B	16.86 in.	24.10 in.



CLA-M Pendant Mount



CLA-M Post Top



*Standard Top Clear Lens



Frosted Side Lens (FSL)



Opal Side Lens (OSL)