

The Del Mar is the perfect luminaire designed to replace existing post top fixtures saving seventy five percent energy while meeting IES minimum foot candle levels while improving light distribution and uniformity.

The Del Mar luminaire features LEDs recessed deep into the luminaire eliminating any direct glare. The fixture is Full Cutoff Dark Sky. The Del Mar also features a clear tempered safety glass lens with silicone gasket which improves fixture reliability.

Del Mar is available from 18 to 104 watts and its scale is perfect to replace any wattage between 70-400 watt HID. The Del Mar throws light four to five mounting heights in all directions which is a major improvement to existing optical technology. The Del Mar features the Star Power Reflector system, a diffused 95 percent reflective low glare optical material.

Del Mar is available in Kelvin temperatures of 2700K, 3000K, 3500K, 4000K and 5000K in Types 3, and 5 light distributions.



**STAR POWER™ OPTICAL SYSTEM**

The Star Power™ reflector is an excellent system which provides great value and performance.

**LED WATTAGE CHART**

	16L	32L	48L	64L
350 milliamps	18w	33w	51w	66w
530 milliamps	28w	54w	80w	102w
700 milliamps	36w	71w	104w	-

Project Name: \_\_\_\_\_ Type: \_\_\_\_\_

--	--	--	--	--	--	--	--	--

Cat#	Light Dist.	# of LEDs	Milliamps	Kelvin	Volts	Mounting	Color	Options
DEL MAR 1 (DMR-1)	Type 3 (T3)	16 (16L)	350 (35)	2700K, 70 CRI (27K7) ①	120-277 (UNV)	Post Top Over 2-3/8" OD (PT2)	Bronze Textured (BRZ)	Marine Grade Finish (MGF)
	Type 4 (T4)	32 (32L)	530 (53)	2700K, 80 CRI (27K8) ① ②	347-480 (HV)	Post Top Over 3" OD (PT3)	White Textured (WHT)	Button Photocell (PC) ③
	Type 5 (T5)	48 (48L)	700 (7) ②	3000K, 70 CRI (30K7) ①		Post Top Over 3.5" OD (PT35)	Smooth White Gloss (SWT)	FSP-211 with Motion Sensor (FSP-8) ④ 8' and Below (FSP-20) ④ 9'-20" Heights (FSP-40) ④ 21'-40' Heights
			64 (64L) ①		3000K, 80 CRI (30K8) ① ②		Silver (SVR)	
					3500K, 80 CRI (35K8) ①		Black Textured (BLK)	House Side Shield (HSS)
					4000K, 70 CRI (40K7)		Smooth Black Gloss (SBK)	
					4000K, 80 CRI (40K8) ①		Graphite Textured (GPH)	
					5000K, 70 CRI (50K7)		Grey Textured (GRY)	
					5000K, 80 CRI (50K8) ①		Green (GRN)	
							Custom (CS)	

**Notes:**  
 ① 530mA Max  
 ② 48L Max  
 ③ Consult Factory for Lead Time. Consult Factory for 90 CRI Requests.  
 ④ Universal Voltage 120-277  
 ⑤ 3000K or lower must be selected to meet International Dark-Sky Association certification.

# PRODUCT SPECIFICATIONS

## ELECTRICAL

- 120-277 Volts (UNV) or 347-480 Volts (HV)
- 0-10V dimming driver
- Driver power factor at maximum load is  $\geq .95$ , THD maximum load is 15%
- LED Drivers Ambient Temp. Min is  $-40^{\circ}\text{C}$  and Ambient Temp. Max ranges from  $50^{\circ}\text{C}$  to  $55^{\circ}\text{C}$  and, in some cases, even higher. Consult the factory for revalidation by providing the fixture catalog string before quoting and specifying it.
- All internal wiring UL certified for 600 VAC and  $105^{\circ}\text{C}$
- CRI 70, 80 or 90
- Color temperatures: 2700, 3000K, 3500K, 4000K, 5000K
- Surge Protection: 20KA supplied as standard.

## CONSTRUCTION

- Cast Aluminum, Spun Aluminum

## OPTIONS

- MARINE GRADE FINISH (MGF) - A multi-step process creating protective finishing coat against harsh environments. Chemically washed in a 5 stage cleaning system. Pre-baked, Powder coated 3-5 mils of Zinc Rich Super Durable Polyester Primer. Oven Baked. Finished Powder Coating of Super Durable Polyester Powder Coat 3-5 mil thickness.

House Side Shield (HSS) is designed for full property line cut-off.

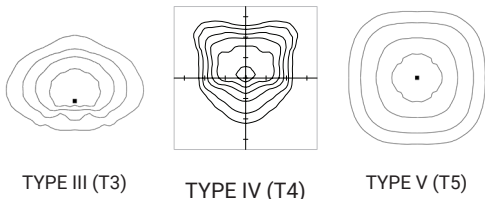
## CONTROL OPTIONS

- FSP-211 (FSP-X)—Passive infrared (PIR) sensor providing multi-level control based on motion/daylight contribution.
  - All control parameters adjustable via wireless configuration remote storing and transmitting sensor profiles.
  - FSP-20 mounting heights 9-20 feet
  - FSP-40 mounting heights 21-40 feet.
  - Includes 5 dimming event cycles, 0-10V dimming with motion sensing, reprogrammable in the field.
  - FSIR-100 commissioning remote is required to change sensor settings. Please contact factory for ordering.
- PHOTOCCELL - Button type photocell.
- Controls Agnostics: Please contact factory for your preferred controls option.

## OPTICS

Recessed Star Power Optical System is 95% reflective material. Utilizes a linear diffused pattern, softening the light distribution and eliminating any dark shadows or striations.

- IES Types



## FINISH

- 3-5 mils electrostatic powder coat.
- NLS Lighting standard high-quality finishes prevent corrosion and protects against extreme environmental conditions

## WARRANTY

Five-year limited warranty for drivers and LEDs.

## LISTINGS

- Certified to UL 1598
- UL 8750
- CSA C22.2 No. 250.0



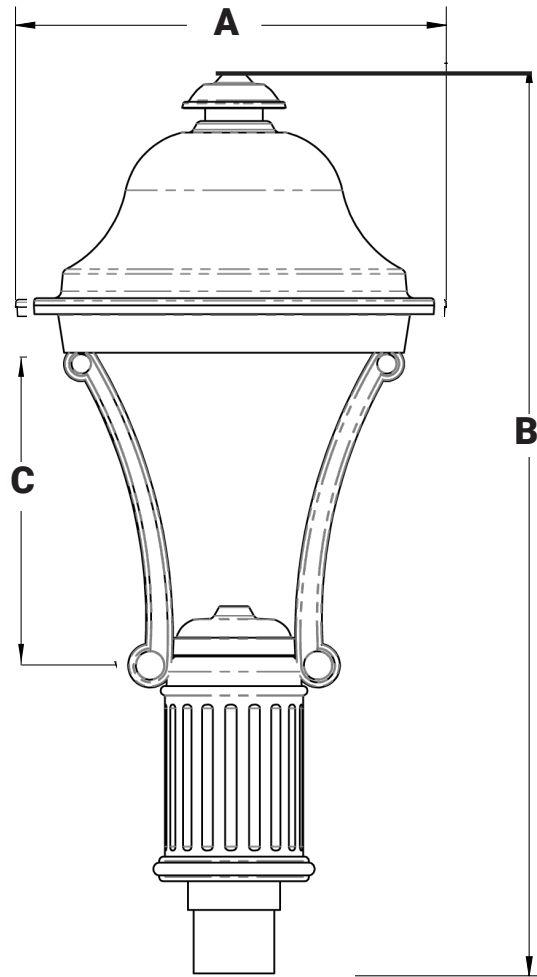
The information and specifications on this document are subject to change without any notification. All values are design, nominal, or typical or prorated values when measured under internal and external laboratory conditions.



701 Kingshill Place, Carson, CA 90746  
Call Us Today (310) 341-2037

nlsighting.com

**PRODUCT SPECIFICATIONS**



OVER 2-3/8" TO 3.5" OD Ø

EPA	
<b>SINGLE</b>	1.82

DIMENSION	DMR-1
<b>A</b>	17.5 in
<b>B</b>	37.8 in
<b>C</b>	14 in

**DEL MAR - LUMEN DATA CHART**

MODEL #	T3	LM/W	BUG RATING	T5	LM/W	BUG RATING	WATTAGE
DMR-1-16L-350-27K8	1429	79	B0-U0-G0	1446	80	B1-U0-G0	18
DMR-1-16L-350-30K8	1532	85	B0-U0-G0	1550	86	B1-U0-G0	18
DMR-1-16L-350-30K7	1650	92	B0-U0-G0	1669	93	B1-U0-G0	18
DMR-1-16L-350-35K8	1532	85	B0-U0-G0	1550	86	B1-U0-G0	18
DMR-1-16L-350-40K8	1651	92	B0-U0-G0	1669	93	B1-U0-G0	18
DMR-1-16L-350-40K7	1783	99	B0-U0-G0	1804	100	B1-U0-G0	18
DMR-1-16L-350-50K8	1651	92	B0-U0-G0	1669	93	B1-U0-G0	18
DMR-1-16L-350-50K7	1783	99	B0-U0-G0	1804	100	B1-U0-G0	18
DMR-1-16L-530-27K8	2164	77	B1-U0-G1	2189	78	B1-U0-G1	28
DMR-1-16L-530-30K8	2321	83	B1-U0-G1	2347	84	B1-U0-G1	28
DMR-1-16L-530-30K7	2499	89	B1-U0-G1	2528	90	B1-U0-G1	28
DMR-1-16L-530-35K8	2321	83	B1-U0-G1	2347	84	B1-U0-G1	28
DMR-1-16L-530-40K8	2499	89	B1-U0-G1	2528	90	B1-U0-G1	28
DMR-1-16L-530-40K7	2701	96	B1-U0-G1	2731	98	B1-U0-G1	28
DMR-1-16L-530-50K8	2499	89	B1-U0-G1	2528	90	B1-U0-G1	28
DMR-1-16L-530-50K7	2701	96	B1-U0-G1	2731	98	B1-U0-G1	28
DMR-1-16L-700-27K8	2859	79	B1-U0-G1	2891	80	B1-U0-G1	36
DMR-1-16L-700-30K8	3065	85	B1-U0-G1	3100	86	B1-U0-G1	36
DMR-1-16L-700-30K7	3301	92	B1-U0-G1	3338	93	B1-U0-G1	36
DMR-1-16L-700-35K8	3065	85	B1-U0-G1	3100	86	B1-U0-G1	36
DMR-1-16L-700-40K8	3301	92	B1-U0-G1	3338	93	B1-U0-G1	36
DMR-1-16L-700-40K7	3567	99	B1-U0-G1	3607	100	B2-U0-G1	36
DMR-1-16L-700-50K8	3301	92	B1-U0-G1	3338	93	B1-U0-G1	36
DMR-1-16L-700-50K7	3567	99	B1-U0-G1	3607	100	B2-U0-G1	36
DMR-1-32L-350-27K8	2859	87	B1-U0-G1	2891	88	B1-U0-G1	33
DMR-1-32L-350-30K8	3065	93	B1-U0-G1	3100	94	B1-U0-G1	33
DMR-1-32L-350-30K7	3301	100	B1-U0-G1	3338	101	B1-U0-G1	33
DMR-1-32L-350-35K8	3065	93	B1-U0-G1	3100	94	B1-U0-G1	33
DMR-1-32L-350-40K8	3301	100	B1-U0-G1	3338	101	B1-U0-G1	33
DMR-1-32L-350-40K7	3567	108	B1-U0-G1	3607	109	B2-U0-G1	33
DMR-1-32L-350-50K8	3301	100	B1-U0-G1	3338	101	B1-U0-G1	33
DMR-1-32L-350-50K7	3567	108	B1-U0-G1	3607	109	B2-U0-G1	33
DMR-1-32L-530-27K8	4329	80	B1-U0-G1	4378	81	B2-U0-G1	54
DMR-1-32L-530-30K8	4641	86	B1-U0-G1	4694	87	B2-U0-G1	54
DMR-1-32L-530-30K7	4999	93	B1-U0-G1	5055	94	B2-U0-G1	54
DMR-1-32L-530-35K8	4641	86	B1-U0-G1	4694	87	B2-U0-G1	54
DMR-1-32L-530-40K8	4999	93	B1-U0-G1	5055	94	B2-U0-G1	54
DMR-1-32L-530-40K7	5401	100	B1-U0-G1	5462	101	B2-U0-G1	54
DMR-1-32L-530-50K8	4999	93	B1-U0-G1	5055	94	B2-U0-G1	54
DMR-1-32L-530-50K7	5401	100	B1-U0-G1	5462	101	B2-U0-G1	54
DMR-1-32L-700-27K8	5717	81	B1-U0-G1	5782	81	B2-U0-G1	71
DMR-1-32L-700-30K8	6130	86	B1-U0-G1	6199	87	B2-U0-G1	71
DMR-1-32L-700-30K7	6602	93	B1-U0-G1	6677	94	B2-U0-G1	71
DMR-1-32L-700-35K8	6130	86	B1-U0-G1	6199	87	B2-U0-G1	71
DMR-1-32L-700-40K8	6602	93	B1-U0-G1	6677	94	B2-U0-G1	71
DMR-1-32L-700-40K7	7133	100	B1-U0-G1	7214	102	B3-U0-G1	71
DMR-1-32L-700-50K8	6602	93	B1-U0-G1	6677	94	B2-U0-G1	71
DMR-1-32L-700-50K7	7133	100	B1-U0-G1	7214	102	B3-U0-G1	71
DMR-1-48L-350-27K8	4288	84	B1-U0-G1	4337	85	B2-U0-G1	51
DMR-1-48L-350-30K8	4597	90	B1-U0-G1	4649	91	B2-U0-G1	51
DMR-1-48L-350-30K7	4951	97	B1-U0-G1	5007	98	B2-U0-G1	51
DMR-1-48L-350-35K8	4597	90	B1-U0-G1	4649	91	B2-U0-G1	51
DMR-1-48L-350-40K8	4952	97	B1-U0-G1	5008	98	B2-U0-G1	51
DMR-1-48L-350-40K7	5350	105	B1-U0-G1	5411	106	B2-U0-G1	51
DMR-1-48L-350-50K8	4952	97	B1-U0-G1	5008	98	B2-U0-G1	51
DMR-1-48L-350-50K7	5350	105	B1-U0-G1	5411	106	B2-U0-G1	51
DMR-1-48L-530-27K8	6493	81	B1-U0-G1	6567	82	B2-U0-G1	80
DMR-1-48L-530-30K8	6962	87	B1-U0-G1	7041	88	B3-U0-G1	80
DMR-1-48L-530-30K7	7498	94	B1-U0-G1	7583	95	B3-U0-G1	80
DMR-1-48L-530-35K8	6962	87	B1-U0-G1	7041	88	B3-U0-G1	80
DMR-1-48L-530-40K8	7498	94	B1-U0-G1	7583	95	B3-U0-G1	80
DMR-1-48L-530-40K7	8102	101	B1-U0-G1	8193	102	B3-U0-G1	80
DMR-1-48L-530-50K8	7498	94	B1-U0-G1	7583	95	B3-U0-G1	80
DMR-1-48L-530-50K7	8102	101	B1-U0-G1	8193	102	B3-U0-G1	80
DMR-1-48L-700-27K8	8576	82	B1-U0-G1	8673	83	B3-U0-G1	104
DMR-1-48L-700-30K8	9195	88	B2-U0-G2	9299	89	B3-U0-G1	104
DMR-1-48L-700-30K7	9903	95	B2-U0-G2	10015	96	B3-U0-G1	104
DMR-1-48L-700-35K8	9195	88	B2-U0-G2	9299	89	B3-U0-G1	104
DMR-1-48L-700-40K8	9903	95	B2-U0-G2	10015	96	B3-U0-G1	104
DMR-1-48L-700-40K7	10700	103	B2-U0-G2	10821	104	B3-U0-G1	104
DMR-1-48L-700-50K8	9903	95	B2-U0-G2	10015	96	B3-U0-G1	104
DMR-1-48L-700-50K7	10700	103	B2-U0-G2	10821	104	B3-U0-G1	104
DMR-1-64L-350-27K8	5717	87	B1-U0-G1	5782	88	B2-U0-G1	66
DMR-1-64L-350-30K8	6130	93	B1-U0-G1	6199	94	B2-U0-G1	66
DMR-1-64L-350-30K7	6602	100	B1-U0-G1	6677	101	B2-U0-G1	66
DMR-1-64L-350-35K8	6130	93	B1-U0-G1	6199	94	B2-U0-G1	66
DMR-1-64L-350-40K8	6602	100	B1-U0-G1	6677	101	B2-U0-G1	66
DMR-1-64L-350-40K7	7133	108	B1-U0-G1	7214	109	B3-U0-G1	66
DMR-1-64L-350-50K8	6602	100	B1-U0-G1	6677	101	B2-U0-G1	66
DMR-1-64L-350-50K7	7133	108	B1-U0-G1	7214	109	B3-U0-G1	66
DMR-1-64L-530-27K8	8658	85	B1-U0-G1	8756	86	B3-U0-G1	102
DMR-1-64L-530-30K8	9282	91	B2-U0-G2	9387	92	B3-U0-G1	102
DMR-1-64L-530-30K7	9997	98	B2-U0-G2	10110	99	B3-U0-G1	102
DMR-1-64L-530-35K8	9283	91	B2-U0-G2	9388	92	B3-U0-G1	102
DMR-1-64L-530-40K8	9997	98	B2-U0-G2	10110	99	B3-U0-G1	102
DMR-1-64L-530-40K7	10802	106	B2-U0-G2	10924	107	B3-U0-G1	102
DMR-1-64L-530-50K8	9997	98	B2-U0-G2	10110	99	B3-U0-G1	102
DMR-1-64L-530-50K7	10802	106	B2-U0-G2	10924	107	B3-U0-G1	102

3000K or lower must be selected to meet International Dark Sky Association certification.



701 Kingshill Place, Carson, CA 90746  
Call Us Today (310) 341-2037

nlsighting.com