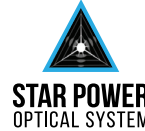


The Hermosa 66 Watts LED Wall Pack is California Title 24 Compliant. Each model comes with photocell. Recommended replacement wattage up to 150 watts Metal Halide. Clear lens is standard.

**The Hermosa is the Best Value Solid State Outdoor Lighting Solution Today**

- UL Listed for Wet Location
- Tempered Borosilicate Glass Lens
- High Quality Outdoor Powder Coat Finish
- Minimum Start Temperature -40° F
- Weather Resistant Silicon Gasket
- Independent Photometric Testing
- Title 24 Compliant
- Die Cast Aluminum Housing
- IP 66 Rated
- Suitable for use at 40° C Ambient Temperature



**STAR POWER™ OPTICAL SYSTEM**

The Star Power™ reflector is an excellent system which provides great value and performance. Star Power Patent number: 10168023

**LED WATTAGE CHART**

	16L	32L
530 milliamps	28w	54w
700 milliamps	36w	68w
1050 milliamps	56w	-

Project Name: \_\_\_\_\_ Type: \_\_\_\_\_

Cat#	Light Dist.	# of LEDs	Milliamps	Kelvin	Volts	Mounting	Color	Options
Hermosa 1 (HRM-1)	Type 4 (T4)	16L (16L)	530 (53)	2700K, 70 CRI (27K7)	120-277 (UNV)	Wall Mount (WM)	Bronze Textured (BRZ)	Marine Grade Finish (MGF)
		32 (32L)	700 (7)	2700K, 80 CRI (27K8) ②			White Textured (WHT)	Polycarbonate Lens (PL)
		1050 (1) ①	3000K, 70 CRI (30K7)	Smooth White Gloss (SWT)			Photo Cell (PC) ③	
		3000K, 80 CRI (30K8) ②	Silver (SVR)	Emergency Battery Back-Up 4w (EM4)				
		3500K, 80 CRI (35K8) ②	Black Textured (BLK)	Emergency Battery Back-Up 8w (EM8)				
		4000K, 70 CRI (40K7)	Smooth Black Gloss (SBK)	Emergency Battery Back-Up 14w (EM14)				
		4000K, 80 CRI (40K8) ②	Graphite Textured (GPH)	Emergency Battery Cold Pack 14w (EMCP)				
		5000K, 70 CRI (50K7)	Grey Textured (GRY)	Dual Circuit (DC)				
		5000K, 80 CRI (50K8) ②	Custom (CS)	20KA Surge Protector (20K)				

**Notes:**

- ① 16L Only
- ② Consult Factory for Lead Time. Consult Factory for 90 CRI Requests.
- ③ Universal Voltage 120-277

# PRODUCT SPECIFICATIONS

## ELECTRICAL

- 120-277 Volts (UNV) or 347-480 Volts (HV)
- 0-10V dimming driver
- Driver power factor at maximum load is  $\geq .95$ , THD maximum load is 15%
- LED Drivers Ambient Temp. Min is  $-40^{\circ}\text{C}$  and Ambient Temp. Max ranges from  $50^{\circ}\text{C}$  to  $55^{\circ}\text{C}$  and, in some cases, even higher. Consult the factory for revalidation by providing the fixture catalog string before quoting and specifying it.
- All internal wiring UL certified for 600 VAC and  $105^{\circ}\text{C}$
- CRI 70, 80 or 90
- Color temperatures: 2700, 3000K, 3500K, 4000K, 5000K

## CONSTRUCTION

- Die Cast Aluminum.

## OPTIONS

- MARINE GRADE FINISH (MGF) - A multi-step process creating protective finishing coat against harsh environments. Chemically washed in a 5 stage cleaning system. Pre-baked, Powder coated 3-5 mils of Zinc Rich Super Durable Polyester Primer. Oven Baked. Finished Powder Coating of Super Durable Polyester Powder Coat 3-5 mil thickness.

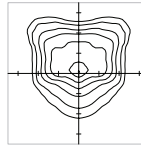
- POLYCARBONATE LENS
- EMERGENCY BATTERY BACK-UP
- COLD WEATHER BATTERY BACK-UP
- DUAL CIRCUIT
- 20KA SURGE PROTECTOR

## CONTROL OPTIONS

- FSP-211 (FSP-X)—Passive infrared (PIR) sensor providing multi-level control based on motion/daylight contribution.
  - All control parameters adjustable via wireless configuration remote storing and transmitting sensor profiles.
  - FSP-20 mounting heights 9-20 feet
  - FSP-40 mounting heights 21-40 feet.
  - Includes 5 dimming event cycles, 0-10V dimming with motion sensing, reprogrammable in the field.
  - FSIR-100 commissioning remote is required to change sensor settings. Please contact factory for ordering.
- PHOTOCCELL
- Controls Agnostics: Please contact factory for your preferred controls option.

## OPTICS

Recessed Star Power Optical System is 95% reflective material. Utilizes a linear diffused pattern, softening the light distribution and eliminating any dark shadows or striations.



TYPE IV (T4)

## FINISH

- 3-5 mils electrostatic powder coat.
- NLS Lighting standard high-quality finishes prevent corrosion and protects against extreme environmental conditions

## WARRANTY

Five-year limited warranty for drivers and LEDs.

*\* Not all variation of the product are DLC listed.*



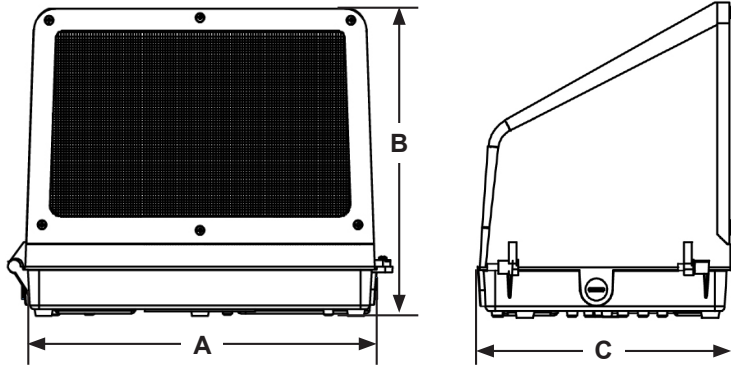
The information and specifications on this document are subject to change without any notification. All values are design, nominal, typical or prorated values when measured under internal and external laboratory conditions.

**NLS**  
LIGHTING

701 Kingshill Place, Carson, CA 90746  
Call Us Today (310) 341-2037

[nlsighting.com](http://nlsighting.com)

# PRODUCT SPECIFICATIONS

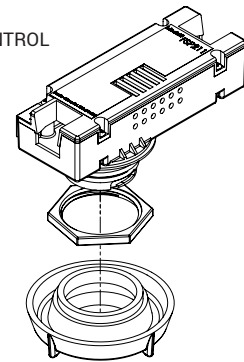


DIMENSION	HRM-1
A	14.25 in
B	12.00 in
C	9.00 in

## HERMOSA - LUMEN DATA CHART

PART NUMBER	T4 Lumens	T4 Lm/W	B.U.G	Watts
HRM-1-T4-16L-53-30K7	2,163	77	B0-U0-G0	28
HRM-1-T4-16L-53-40K7	2,277	81	B0-U0-G0	28
HRM-1-T4-16L-53-50K7	2,277	81	B0-U0-G0	28
HRM-1-T4-16L-7-30K7	2,703	75	B1-U0-G1	36
HRM-1-T4-16L-7-40K7	2,846	79	B1-U0-G1	36
HRM-1-T4-16L-7-50K7	2,846	79	B1-U0-G1	36
HRM-1-T4-16L-1-30K7	3,785	68	B1-U0-G1	56
HRM-1-T4-16L-1-40K7	3,984	71	B1-U0-G1	56
HRM-1-T4-16L-1-50K7	3,984	71	B1-U0-G1	56
HRM-1-T4-32L-53-30K7	4,325	80	B1-U0-G1	54
HRM-1-T4-32L-53-40K7	4,553	84	B1-U0-G1	54
HRM-1-T4-32L-53-50K7	4,553	84	B1-U0-G1	54
HRM-1-T4-32L-7-30K7	5,407	79	B1-U0-G1	68
HRM-1-T4-32L-7-40K7	5,691	84	B1-U0-G1	68
HRM-1-T4-32L-7-50K7	5,691	84	B1-U0-G1	68

### OPTIONAL CONTROL



- **FSP-211 (FSP-X)**—Passive infrared (PIR) sensor providing multi-level control based on motion/daylight contribution.
- All control parameters adjustable via wireless configuration remote storing and transmitting sensor profiles.
- FSP-8 mounting heights 8 feet and below
- FSP-20 mounting heights 9-20 feet
- Includes 5 dimming event cycles, 0-10V dimming with motion sensing, reprogrammable in the field.
- FSIR-100 commissioning remote is required to change sensor settings. Please contact factory for ordering.