

WALL/CEILING/FLOOD LIGHTING

The KLIP is a sleek, versatile, and amazingly designed Decorative Wall Sconce offering the latest in energy efficient LED technology.

This wall mounted luminaire is available in 16 and 32 LEDs at either 350 or 530 Milliamps in available color temperatures of 3000, 4000 and 5000 Kelvin. The KLIP can be ordered as a Down Light only, Up Light only, or a Combination of Up and Down Light.

The KLIP also features a diffused tempered glass lens providing minimal glare and great uniformity. It features highly efficient long life LEDs.



STAR POWER™
OPTICAL SYSTEM

STAR POWER™ OPTICAL SYSTEM

The Star Power™ reflector is an excellent system which provides great value and performance. Star Power Patent number: 10168023

LED WATTAGE CHART

	8L	16L	32L
350 milliamps	10W	20w	40w
530 milliamps	13W	25w	51w

Project Name:

Type:

--	--	--	--	--	--	--	--	--	--

Cat#	Light Dist.	Optics	Total # of LEDs	Milliamps	Kelvin	Volts	Mounting	Color	Options
Klip (KLP)	Up (U)	Type 4 (T4)	8 (8L) ¹	350 (35)	3000K (30K)	120-277 (UNV)	Wall Mount (WM)	Bronze Textured (BRZ)	Marine Grade Finish (MGF)
	Down (D)		16 (16L)	530 (53)	4000K (40K)			White Textured (WHT)	Button Photocell (PC) ³
	Up/Down (UD)		32 (32L) ²	5000K (50K)	Smooth White Gloss (SWT)			Cutoff Louver (CL)	
					Silver (SVR)			Flat Lens (FL) ⁴	
Black Textured (BLK)	Surge Protector (20K)								
Smooth Black Gloss (SBK)									
Graphite Textured (GPH)									
Grey Textured (GRY)									
Custom (CS)									

Notes:

- ¹ Up Only or Down Only
- ² Only In Up/Down Light distribution
- ³ Universal Voltage 120-277
- ⁴ Consult Factory

PRODUCT SPECIFICATIONS

ELECTRICAL

- 120-277 Volts (UNV) or 347-480 Volts (HV)
- 0-10V dimming driver
- Driver power factor at maximum load is $\geq .95$, THD maximum load is 15%
- LED Drivers Ambient Temp. Min is -40°C and Ambient Temp. Max ranges from 50°C to 55°C and, in some cases, even higher. Consult the factory for revalidation by providing the fixture catalog string before quoting and specifying it.
- All internal wiring UL certified for 600 VAC and 105°C
- CRI 70, 80 or 90
- Color temperatures: 2700, 3000K, 3500K, 4000K, 5000K

CONSTRUCTION

- Cast Aluminum. CNC Die Formed.

OPTIONS

• MARINE GRADE FINISH (MGF) - A multi-step process creating protective finishing coat against harsh environments. Chemically washed in a 5 stage cleaning system. Pre-baked, Powder coated 3-5 mils of Zinc Rich Super Durable Polyester Primer. Oven Baked. Finished Powder Coating of Super Durable Polyester Powder Coat 3-5 mil thickness.

- CUTOFF LOUVER
- 20KA SURGE PROTECTOR
- FLAT LENS

CONTROL OPTIONS

- BUTTON PHOTOCELL
- Controls Agnostics: Please contact factory for your preferred controls option.

OPTICS

Recessed Star Power Optical System is 95% reflective material. Utilizes a linear diffused pattern, softening the light distribution and eliminating any dark shadows or striations.

FINISH

- 3-5 mils electrostatic powder coat.
- NLS Lighting standard high-quality finishes prevent corrosion and protects against extreme environmental conditions

WARRANTY

Five-year limited warranty for drivers and LEDs.



The information and specifications on this document are subject to change without any notification. All values are design, nominal, or typical or prorated values when measured under internal and external laboratory conditions.

PRODUCT SPECIFICATIONS

LUMEN DATA CHART UP/DOWN

Part Number	Lumens	Lm/W	System Watts
KLP-UD-T4-16L-35-30K	1,072	53.6	20
KLP-UD-T4-16L-35-40K	1,127	56.3	20
KLP-UD-T4-16L-35-50K	1,127	56.3	20
KLP-UD-T4-16L-53-30K	1,540	57.8	27
KLP-UD-T4-16L-53-40K	1,619	60.8	27
KLP-UD-T4-16L-53-50K	1,619	60.8	27
KLP-UD-T4-32L-35-30K	2,144	53.6	40
KLP-UD-T4-32L-35-40K	2,253	56.3	40
KLP-UD-T4-32L-35-50K	2,253	56.3	40
KLP-UD-T4-32L-53-30K	3,081	57.8	53
KLP-UD-T4-32L-53-40K	3,238	60.8	53
KLP-UD-T4-32L-53-50K	3,238	60.8	53

LUMEN DATA CHART DOWN ONLY

Part Number	Lumens	Lm/W	System Watts
KLP-D-T4-8L-35-30K	588	58.8	10
KLP-D-T4-8L-35-40K	618	61.8	10
KLP-D-T4-8L-35-50K	618	61.8	10
KLP-D-T4-8L-53-30K	844	67.6	13
KLP-D-T4-8L-53-40K	888	71.0	13
KLP-D-T4-8L-53-50K	888	71.0	13
KLP-D-T4-16L-35-30K	1,175	58.8	20
KLP-D-T4-16L-35-40K	1,235	61.8	20
KLP-D-T4-16L-35-50K	1,235	61.8	20
KLP-D-T4-16L-53-30K	1,689	67.6	25
KLP-D-T4-16L-53-40K	1,775	71.0	25
KLP-D-T4-16L-53-50K	1,775	71.0	25

LUMEN DATA CHART UP ONLY

Part Number	Lumens	Lm/W	System Watts
KLP-U-T4-8L-35-30K	472	47.2	10
KLP-U-T4-8L-35-40K	497	49.7	10
KLP-U-T4-8L-35-50K	497	49.7	10
KLP-U-T4-8L-53-30K	679	54.3	13
KLP-U-T4-8L-53-40K	714	57.1	13
KLP-U-T4-8L-53-50K	714	57.1	13
KLP-U-T4-16L-35-30K	945	47.2	20
KLP-U-T4-16L-35-40K	993	49.7	20
KLP-U-T4-16L-35-50K	993	49.7	20
KLP-U-T4-16L-53-30K	1,358	54.3	25
KLP-U-T4-16L-53-40K	1,427	57.1	25
KLP-U-T4-16L-53-50K	1,427	57.1	25



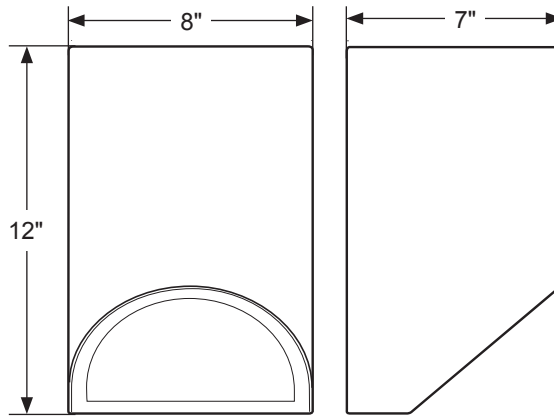
701 Kingshill Place, Carson, CA 90746
Call Us Today (310) 341-2037

nlsighting.com

PRODUCT SPECIFICATIONS



**Cutoff Louver (CL)
Option Shown*



OPTIONAL FLAT LENS (FL)

