



FORM AND FUNCTION

- Sleek, die-cast low profile housing
- Spec grade performance
- Engineered for optimum thermal management
- Reduces energy consumption and costs up to 65%
- Lumens: 9,000-26,000

RELIABILITY

- IP65 Rated
- Silicone Optics
- IK10 Rated Optics
- 3G Vibration Rated Knuckle and Trunnion Mount
- 20KA Surge Protection

The innovative NV Flood Series is a high-powered, corrosion resistant, low copper, die-cast aluminum luminaire.

Heat-sink cooling fins are designed with a thermal gap for longer LED/Driver life.

The NV-F3 comes in 48L and 64L configurations with 5 Kelvin color temperatures 2700K, 3000K, 3500K, 4000K and 5000K. 4 Static LED color options available for a splash of color.

Silicone optical distribution patterns include 15° Very Narrow Beam, 30° Narrow Beam, 55° Medium Beam, 85° Wide beam, 7X5 NEMA T2 Distribution, 7X6 T3 NEMA Distribution, Forward Throw NEMA 6X6 T4, and a Symmetrical NEMA 7X7 T5.

Mounting options include 2-3/8" Knuckle Mount or Trunnion Mount.

Glare control options include the House Side Shield (HSS), Egg Crate Louver Shield (ECL), Barn Doors (BAD), Angled Visor (AGV), Small and Large Snoot (SNS)(SNL).

Other options include Tamper Proof Hardware, 5 Conductor Dimming Leads and Emergency Battery Backup.

Applications include:

- | | |
|---------------------|---------------------|
| • Sign Lighting | • Parking |
| • Building Facades | • Flag Pole |
| • Landscape | • Merchandising |
| • Wall Washing | • Billboard |
| • Up Lighting | • Indirect Lighting |
| • Security Lighting | • Display Pad |
| • Residential | • Transportation |
| • Commercial | |

IP65 Rated for any direction or angle of Flood Lighting.



Project Name:

Type:

NV-F3 ORDERING GUIDE

Cat#	Optics	Watts	Kelvin Temp		Volts
NV-F 3 (NV-F3)	15° (15) Very Narrow	60W (60W) ^①	2700K, 80 CRI (27K8) ^②	Red 624-634nm (RED) ^③	120-277 (UNV)
	30° (30) Narrow Beam	80W (80W) ^①	3000K, 70 CRI (30K7)	Amber 585-600nm (AMBER) ^④	347-480 (HV)
	55° (55) Medium Beam	104W (104W)	3000K, 80 CRI (30K8) ^②	Green 520-540nm (GREEN) ^⑤	
	85° (85) Wide Beam	136W 64L (136W)	3500K, 80 CRI (35K8)	Royal Blue 440-460nm (BLUE) ^⑥	
	IES T2 / NEMA 7Hx5V (T2) ^⑦	156W (156W)	4000K, 70 CRI (40K7)		
	IES T3 / NEMA 7Hx6V (T3) ^⑦	205W 64L (205W)	4000K, 80 CRI (40K8) ^②		
	Forward Throw (T4) ^⑧		5000K, 70 CRI (50K7)		
	Symmetrical (T5)		5000K, 80 CRI (50K8) ^②		

Mounting	Glare Control Options	Color	Options
Knuckle Mount 2.3/8" (KM)	Barn Doors (BAD)	Bronze Textured (BRZ)	Button Photocell (PC) ^⑨
Trunnion Mount (TM) ^⑨	Egg Crate Louver (ECL) ^⑨	White Textured (WHT)	FSP-211 with Motion Sensor (FSP-8) ^⑨
Wall Mount (WM) ^⑨	Angled Visor (AGV)	Smooth White Gloss (SWT)	8' Heights and Below (FSP-20) ^⑨
	Snoot Short (SNS)	Silver Textured (SVR)	*9'-20' Heights (FSP-40) ^⑨
	Snoot Long (SNL)	Black Textured (BLK)	*21'-40' Heights
	House Side Shield (HSS) ^⑨	Smooth Black Gloss (SBK)	Tamper Proof Hardware (TPH)
	No Glare Control (NGC)	Graphite Textured (GPH)	5 Conductor Dimming Leads (DL)
		Grey (GRY)	Marine Grade Finish (MGF)
		Custom (CS)	Black Hardware (BH) ^⑨
			Black Optic Frame (BOF) ^⑨
			Emergency Battery 4w (EM4) 16L Only
			Emergency Battery 8w (EM8) 16L, 32L Only
			Emergency Battery 16w (EM16) 32L, 48L Only
			No Options (NA)

- Notes:
- ① Static Colors Only. Consult Factory
 - ② Consult Factory for Lead Time. Consult Factory for 90 CRI Requests.
 - ③ Standard finish is stainless steel. Can be painted to match fixture
 - ④ Universal Voltage 120-277
 - ⑤ House Side Shield for T2, T3, T4 only
 - ⑥ 64L Config. Only
 - ⑦ Consult Factory
 - ⑧ Consult Factory for lead times
 - ⑨ Wall Mount Bracket WM-SFA Required

CONSTRUCTION

Precision Die cast-aluminum housing for durability and consistency.

Stainless Steel corrosion resistant external hardware
One-piece silicone gasket ensures IP-65 seal for electronics compartment.

OPTICS

Silicone optics high photo-thermal stability and light output provides higher powered LEDs with minimized lumen depreciation LED life. UV and thermal stability with scratch resistance increases exterior application durability.

Distribution patterns are designed to provide maximum light spread for short set backs when lighting signs and washing walls.

FINISH

3-5 mils electrostatic powder coat.
NLS' standard high-quality finishes prevent corrosion and protects against extreme environmental conditions

MARINE GRADE FINISH (MGF)

A multi-step process creating protective finishing coat against harsh environments.

- Chemically washed in a 5 stage cleaning system.
- Pre-baked
- Powder coated 3-5 mils of Zinc Rich Super Durable Polyester Primer.
- Oven Baked.
- Finished Powder Coating of Super Durable Polyester Powder Coat 3-5 mil thickness

5 CONDUCTOR DIMMING LEADS—Standard Dimming Leads exiting the fixture for external dimming control.

GLARE CONTROL OPTIONS

HOUSE SIDE SHIELDS (HSS)—House Side Shield (HSS) is designed for full property line cut-off.

BARN DOORS (BAD)—Field adjustable beam angle control.

EGG CRATE LOUVER (ECL)—Egg Crate Louver is for Extreme Glare Control. 64L Config. Only.

ANGLED VISOR (AGV)—Angled Visor is for minimal glare control.

SNOOT (SNS)(SNL)— Short and Long versions for full cut off precision spot lighting.

MOUNTING OPTIONS

KNUCKLE MOUNT (KM)—2-3/8" for direct mount to many options.

TRUNNION MOUNT (TM)—Standard Stainless Steel Cord Seal

ADDITIONAL OPTIONS

TAMPER PROOF HARDWARE—Provided to protect the optical assembly and the driver compartment for vandal resistance.

5 CONDUCTOR DIMMING LEADS—Optional Dimming Leads exiting the fixture for external dimming control.

ELECTRICAL

120-277 Volts (UNV) or 347-480 Volts (HV)

0-10V dimming driver by Philips Advance

Driver power factor at maximum load is $\geq .95$, THD maximum load is 15%

All internal wiring UL certified for 600 VAC and 105°C

All drivers, controls, and sensors housed in enclosed IP-65 compartment

LED

Lumileds Luxeon MX LED

CRI 70, 80, or 90

Color temperatures: 2700K 3000K, 3500K, 4000K, 5000K

Lumileds Luxeon CZ LED

Static Color Options: Red (Red 624-634nm), Green (520-540nm), Blue (440-460nm), and Amber (585-600nm)

WARRANTY

Five-year standard warranty

LISTINGS

Certified to UL 1598

UL 8750

CSA C22.2 No. 250.0

IP65 Rated

IP67 Rated Optics

IK10 Rated

3G Vibration Rated per ANSI C136.31-2010



PRODUCT SPECIFICATIONS

LED WATTAGE CHART	48L	64L
700mA	104W	136W
1050mA	156W	205W

NV-F3

PART NUMBER	15°	LM/W	30°	LM/W	55°	LM/W	85°	LM/W	7X5	LM/W	7X6	LM/W	T4	LM/W	T5	LM/W	W
NV-F3-48L-104W-27K8	9125	88	9581	92	10216	98	9932	95	10518	101	10601	102	10683	103	10518	101	104
NV-F3-48L-104W-30K7	10537	101	11063	106	11797	113	11469	110	12145	117	12241	118	12337	119	12145	117	104
NV-F3-48L-104W-35K8	9784	94	10273	99	10954	105	10650	102	11278	108	11367	109	11455	110	11278	108	104
NV-F3-48L-104W-40K7	11385	109	11954	115	12746	123	12392	119	13123	126	13226	127	13330	128	13123	126	104
NV-F3-48L-104W-50K7	11385	109	11954	115	12746	123	12392	119	13123	126	13226	127	13330	128	13123	126	104
NV-F3-64L-136W-27K8	11893	87	12487	92	13315	98	12945	95	13821	102	13930	102	14039	103	13821	102	136
NV-F3-64L-136W-30K7	13733	101	14419	106	15376	113	14948	110	15960	117	16086	118	16211	119	15960	117	136
NV-F3-64L-136W-35K8	12752	94	13389	98	14277	105	13880	102	14820	109	14937	110	15054	111	14820	109	136
NV-F3-64L-136W-40K7	14839	109	15580	115	16613	122	16151	119	17245	127	17381	128	17516	129	17245	127	136
NV-F3-64L-136W-50K7	14839	109	15580	115	16613	122	16151	119	17245	127	17381	128	17516	129	17245	127	136
NV-F3-48L-156W-27K8	13687	88	14371	92	15324	98	14898	95	15777	101	15901	102	16025	103	15777	101	156
NV-F3-48L-156W-30K7	15805	101	16594	106	17695	113	17203	110	18218	117	18361	118	18505	119	18218	117	156
NV-F3-48L-156W-35K8	14676	94	15409	99	16431	105	15974	102	16917	108	17050	109	17183	110	16917	108	156
NV-F3-48L-156W-40K7	17077	109	17930	115	19119	123	18588	119	19684	126	19839	127	19994	128	19684	126	156
NV-F3-48L-156W-50K7	17077	109	17930	115	19119	123	18588	119	19684	126	19839	127	19994	128	19684	126	156
NV-F3-64L-205W-27K8	17839	87	18731	91	19973	97	19418	95	20732	101	20895	102	21059	103	20732	101	205
NV-F3-64L-205W-30K7	20600	100	21629	106	23063	113	22422	109	23940	117	24129	118	24317	119	23940	117	205
NV-F3-64L-205W-35K8	19129	93	20084	98	21416	104	20821	102	22230	108	22405	109	22580	110	22230	108	205
NV-F3-64L-205W-40K7	22258	109	23370	114	24920	122	24227	118	25867	126	26071	127	26275	128	25867	126	205
NV-F3-64L-205W-50K7	22258	109	23370	114	24920	122	24227	118	25867	126	26071	127	26275	128	25867	126	205

NV-F3 With Glare Control 15° Optic

PART NUMBER	15° Snoot Long	Lm/W	15° Snoot Short	Lm/W	WATTS
NV-F3-48L-104W-27K8	9938	96	10932	105	104
NV-F3-48L-104W-30K7	11476	110	12623	121	104
NV-F3-48L-104W-35K8	10656	102	11722	113	104
NV-F3-48L-104W-40K7	12400	119	13640	131	104
NV-F3-48L-104W-50K7	12400	119	13640	131	104
NV-F3-64L-136W-27K8	13060	96	14366	106	136
NV-F3-64L-136W-30K7	15080	111	16588	122	136
NV-F3-64L-136W-35K8	14003	103	15404	113	136
NV-F3-64L-136W-40K7	16294	120	17924	132	136
NV-F3-64L-136W-50K7	16294	120	17924	132	136
NV-F3-48L-156W-27K8	14907	96	16398	105	156
NV-F3-48L-156W-30K7	17214	110	18935	121	156
NV-F3-48L-156W-35K8	15984	102	17583	113	156
NV-F3-48L-156W-40K7	18599	119	20459	131	156
NV-F3-48L-156W-50K7	18599	119	20459	131	156
NV-F3-64L-205W-27K8	19589	96	21548	105	205
NV-F3-64L-205W-30K7	22621	110	24883	121	205
NV-F3-64L-205W-35K8	21005	102	23106	113	205
NV-F3-64L-205W-40K7	24442	119	26886	131	205
NV-F3-64L-205W-50K7	24442	119	26886	131	205



701 Kingshill Place, Carson, CA 90746
Call Us Today (310) 341-2037

nslighting.com

PRODUCT SPECIFICATIONS

NV-F3 With Glare Control 30° Optic							
PART NUMBER	30° Egg Crate Louver	LM/W	30° Snoot Long	Lm/W	30° Snoot Short	Lm/W	WATTS
NV-F3-48L-104W-27K8			9276	89	10601	102	104
NV-F3-48L-104W-30K7			10711	103	12241	118	104
NV-F3-48L-104W-35K8			9946	96	11367	109	104
NV-F3-48L-104W-40K7			11573	111	13226	127	104
NV-F3-48L-104W-50K7			11573	111	13226	127	104
NV-F3-64L-136W-27K8	10774	79	12189	90	13930	102	136
NV-F3-64L-136W-30K7	12441	91	14075	103	16086	118	136
NV-F3-64L-136W-35K8	11553	85	13070	96	14937	110	136
NV-F3-64L-136W-40K7	13443	99	15208	112	17381	128	136
NV-F3-64L-136W-50K7	13443	99	15208	112	17381	128	136
NV-F3-48L-156W-27K8			13913	89	15901	102	156
NV-F3-48L-156W-30K7			16066	103	18361	118	156
NV-F3-48L-156W-35K8			14919	96	17050	109	156
NV-F3-48L-156W-40K7			17359	111	19839	127	156
NV-F3-48L-156W-50K7			17359	111	19839	127	156
NV-F3-64L-205W-27K8	16161	79	18284	89	20895	102	205
NV-F3-64L-205W-30K7	18662	91	21113	103	24129	118	205
NV-F3-64L-205W-35K8	17329	85	19605	96	22405	109	205
NV-F3-64L-205W-40K7	20164	98	22812	111	26071	127	205
NV-F3-64L-205W-50K7	20164	98	22812	111	26071	127	205

NV-F3 With Glare Control Angled Visor					
PART NUMBER	55° Angled Visor	LM/W	30° Angled Visor	Lm/W	WATTS
NV-F3-48L-104W-27K8	10110	97	10514	101	104
NV-F3-48L-104W-30K7	11674	112	12141	117	104
NV-F3-48L-104W-35K8	10840	104	11274	108	104
NV-F3-48L-104W-40K7	12614	121	13118	126	104
NV-F3-48L-104W-50K7	12614	121	13118	126	104
NV-F3-64L-136W-27K8	13285	98	13817	102	136
NV-F3-64L-136W-30K7	15341	113	15955	117	136
NV-F3-64L-136W-35K8	14245	105	14815	109	136
NV-F3-64L-136W-40K7	16576	122	17239	127	136
NV-F3-64L-136W-50K7	16576	122	17239	127	136
NV-F3-48L-156W-27K8	15164	97	15771	101	156
NV-F3-48L-156W-30K7	17511	112	18212	117	156
NV-F3-48L-156W-35K8	16260	104	16911	108	156
NV-F3-48L-156W-40K7	18920	121	19678	126	156
NV-F3-48L-156W-50K7	18920	121	19678	126	156
NV-F3-64L-205W-27K8	19928	97	20725	101	205
NV-F3-64L-205W-30K7	23011	112	23932	117	205
NV-F3-64L-205W-35K8	21368	104	22223	108	205
NV-F3-64L-205W-40K7	24863	121	25859	126	205
NV-F3-64L-205W-50K7	24863	121	25859	126	205

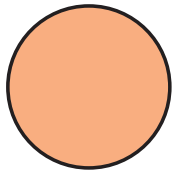
PRODUCT SPECIFICATIONS

EPA	NV-F3
	.54

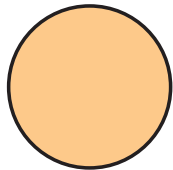
Weight	NV-F3
	24 LBS

Lumen Maintenance Data							
Ambient Temperature	Drive Current	L90 Hours*	L70 Hours**	30,000 Hours*	50,000 Hours*	60,000 Hours*	100,000 Hours**
25°C	Up to 700mA	58,000	173,000	95.7%	91.6%	89.6%	82.1%
	850mA	48,000	143,000	94.3%	89.5%	87.2%	78.5%
*Reported extrapolations per IESNA TM-21				**Projected extrapolations per IESNA TM-21			
Lumen Maintenance Data (For Static Colors, Please Contact Factory)							

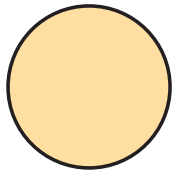
LED KELVIN RANGE



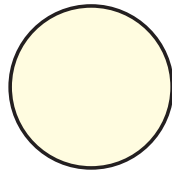
2700K 80 CRI



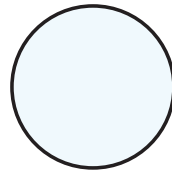
3000K 70 CRI



3500K 80 CRI

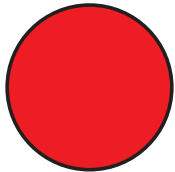


4000K 70 CRI

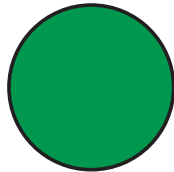


5000K 70 CRI

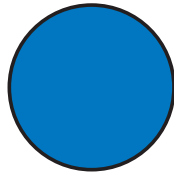
STATIC COLOR LED



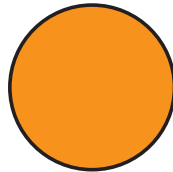
RED
624-634 nm



GREEN
520-540 nm



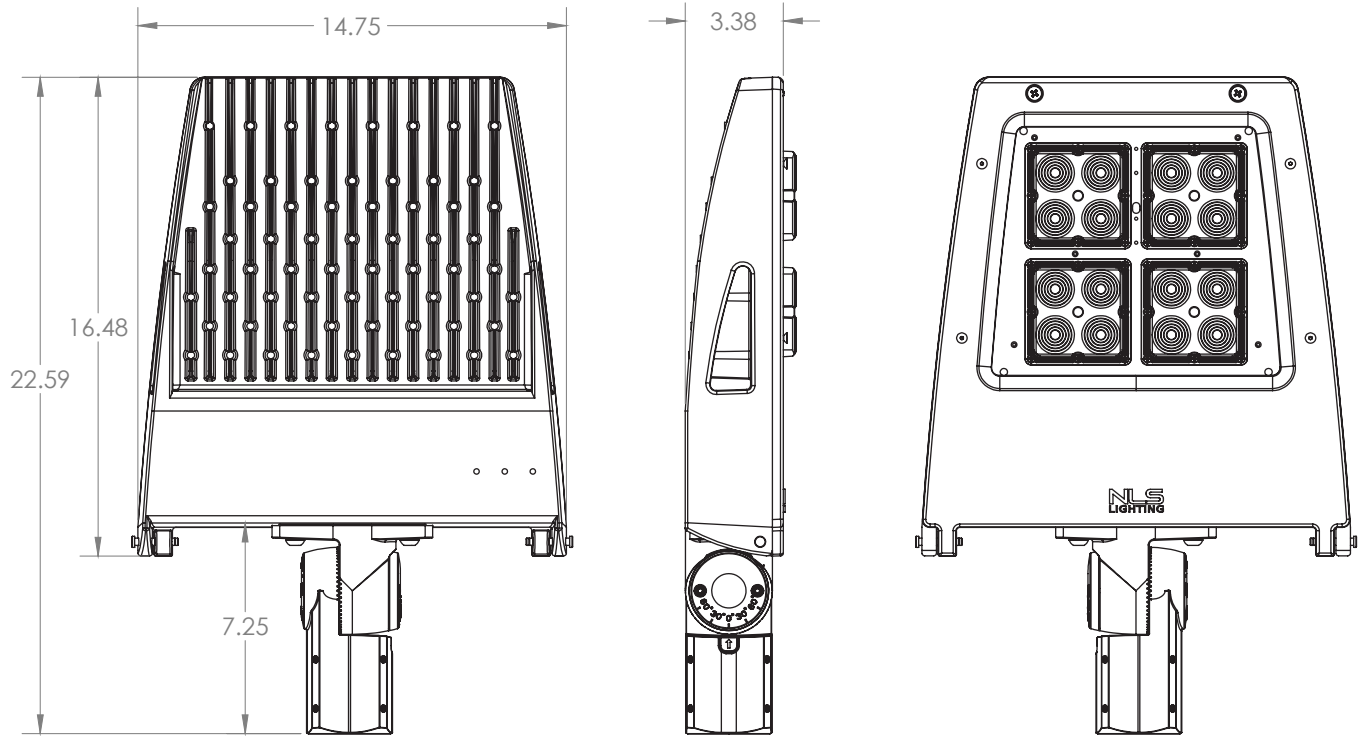
ROYAL BLUE
440-460nm



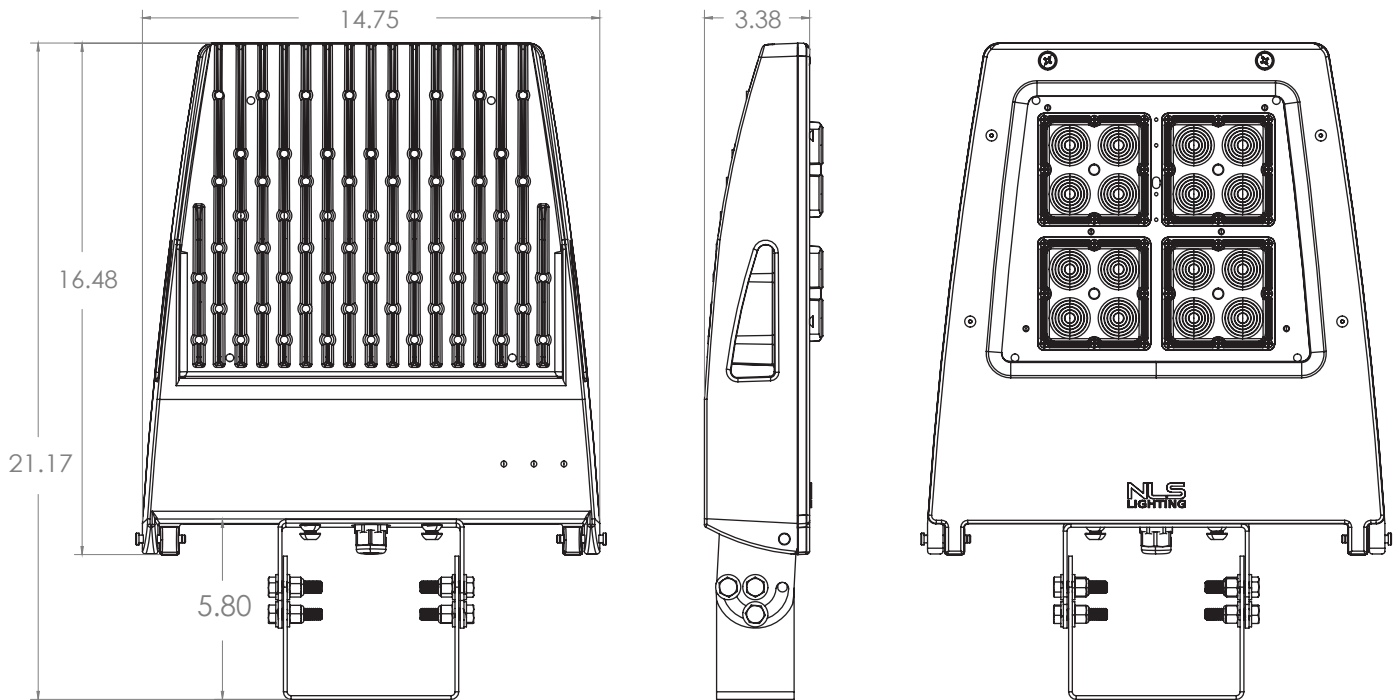
AMBER
585-600 nm

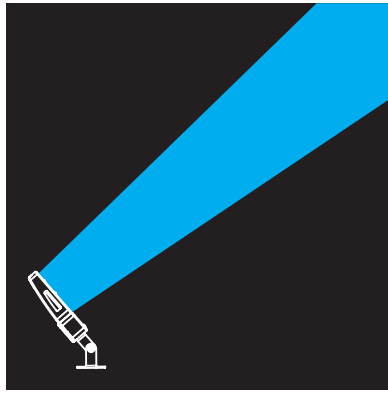
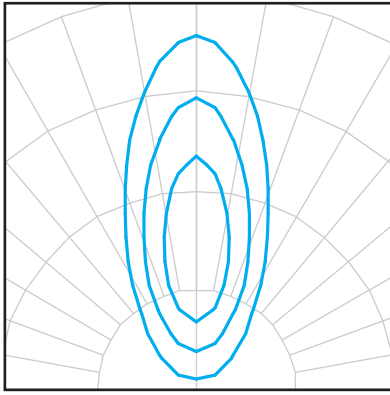
DIMENSIONAL DRAWINGS

KNUCKLE MOUNT



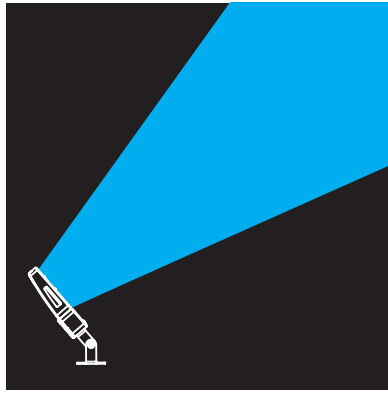
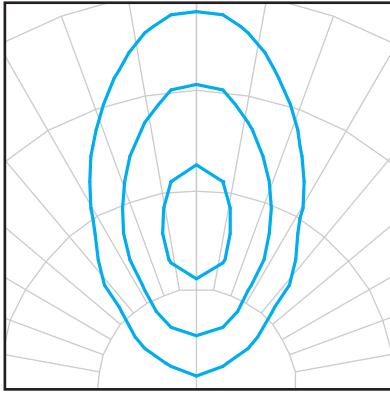
TRUNNION MOUNT





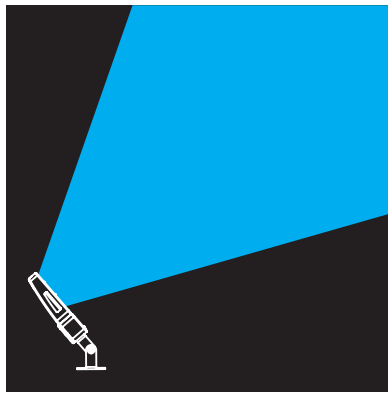
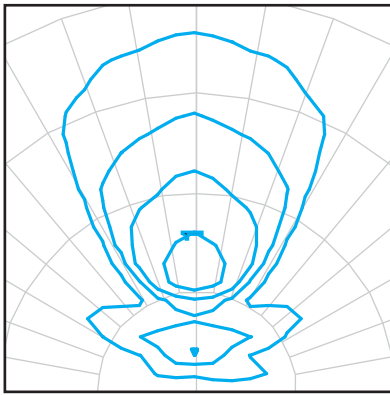
15° Very Narrow Beam Optic

The 15° Optic is used for very specific spot lighting. Spot Lighting a statue, a monument, or a piece of art. The NV Floods can be used indoors and outdoors. Pair the 15° Optic with the following Glare Control Options for more dramatic effect. Snoot Short (SNS), Snoot Long (SNL), or Egg Crate Louvers (ECL). These Glare Control Options help reduce glare and focus the viewing angles.



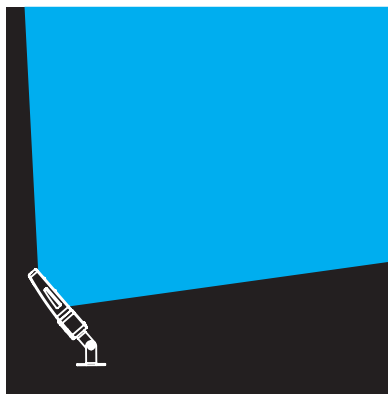
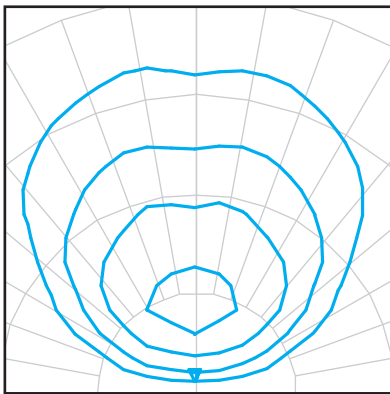
30° Narrow Beam Optic

The 30° Optic is used for larger objects and for spot and accent lighting. The 30° is perfect for Flag Lighting, Facade Lighting and great for showcasing Car Dealerships, display pads. Pair the 30° Optic with the following Glare Control Options for more dramatic effect. Snoot Short (SNS), Snoot Long (SNL), or Egg Crate Louvers (ECL). These Glare Control Options help reduce glare and focus the viewing angle.



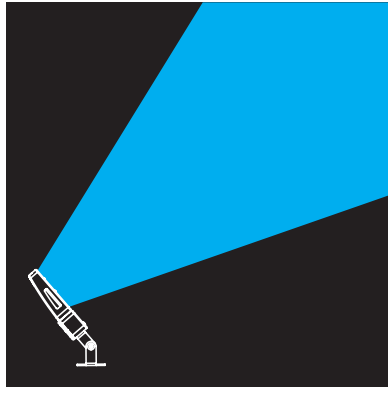
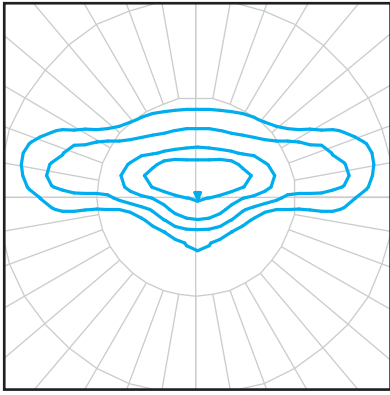
55° Medium Beam Optic

The 55° Optic is used for larger objects, flood lighting. The 55° is perfect for Facade Lighting, Landscape and general flood lighting. Pair the 55° Optic with the following Glare Control Options for more dramatic effect. Snoot Short (SNS), Angled Visor (AGV), These Glare Control Options help reduce glare and focus the beam angles.



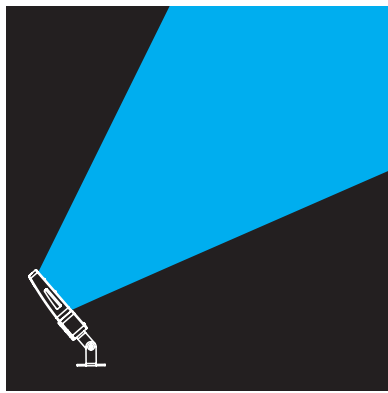
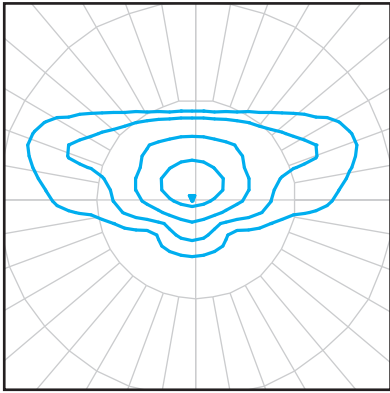
85° Wide Flood Optic

The 85° Optic is used for large area and accent lighting. The 85° is perfect for Security Lighting, general flood lighting and area lighting. Pair the 85° Optic with the following Glare Control Options for more dramatic effect. Snoot Small (SNS), Angled Visor (AGV), These Glare Control Options help reduce glare and shield unnecessary light.



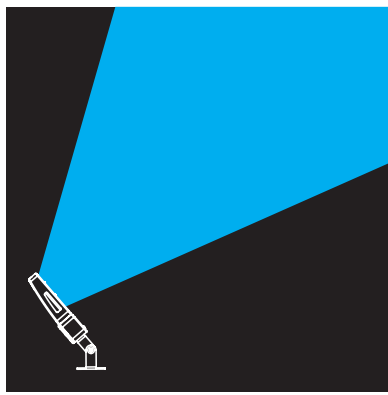
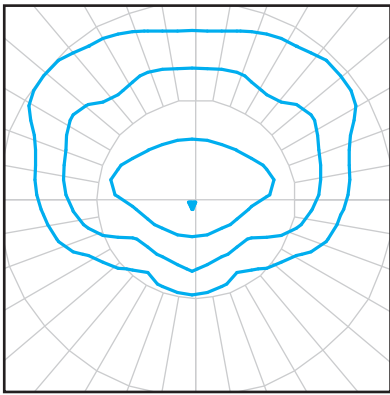
NEMA 7X5 T2 Flood Optic

The Type II (T2) distribution is used for narrow pathways and trails, narrow entrances of shopping centers, parking lots and office complex's.



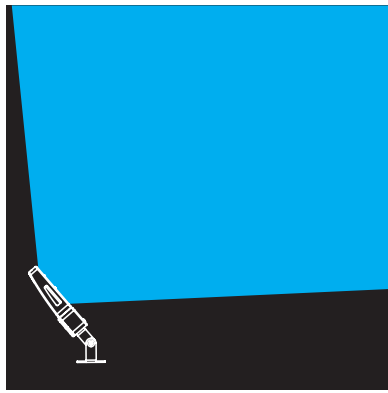
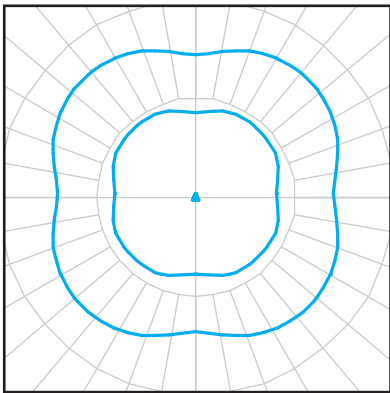
NEMA 7X6 T3 Flood Optic

The Type III (T3) distribution is meant for roadway lighting, general parking areas and other areas where a larger area of lighting is required. Type III lighting needs to be placed to the side of the area, allowing the light to project outward and fill the area. This produces a filling light flow.



NEMA 6X6 Forward Throw T4 Flood Optic

The Type IV (T4) distribution produces a semicircular light meant for mounting on the sides of buildings and walls. It is best for illuminating the perimeter of parking areas and businesses. The intensity of the Type IV lighting has the same intensity at angles from 90° to 270°.

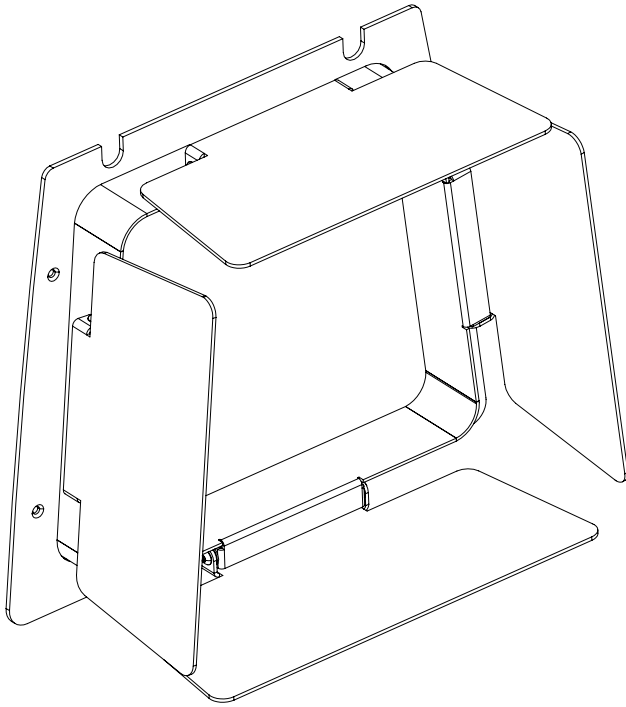


NEMA 7X7 Symmetrical T5 Flood Optic

The Type V (T5) produces a symmetrical distribution that has the same intensity at all angles. This distribution has a uniform symmetry of candlepower that is essentially the same at all lateral angles. It is meant for large, commercial parking lot lighting as well as areas where sufficient, evenly distributed light is necessary.

GLARE CONTROL OPTIONS

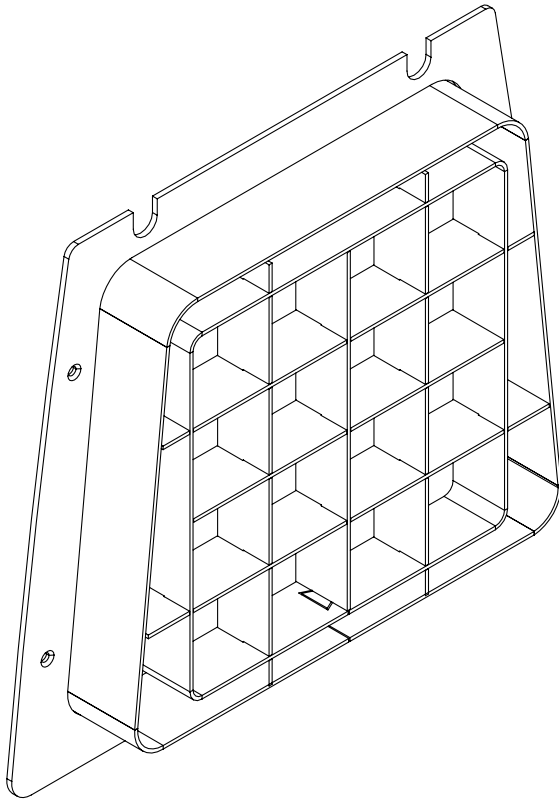
BARN DOORS (BAD)



Barn Doors (BAD)

The Barn Doors is field adjustable beam angle control. Laser cut precision formed aluminum construction. Powder Coated flat black as standard. The **(BAD)** is field installable.

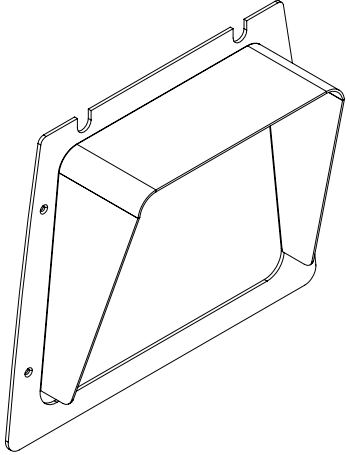
EGG CRATE LOUVER (ECL)



Egg Crate Louver (ECL)

The Egg Crate Louver is designed for Extreme Glare Control. Laser cut precision formed aluminum construction. Powder Coated flat black as standard. The **(ECL)** is field installable. 64L config. only.

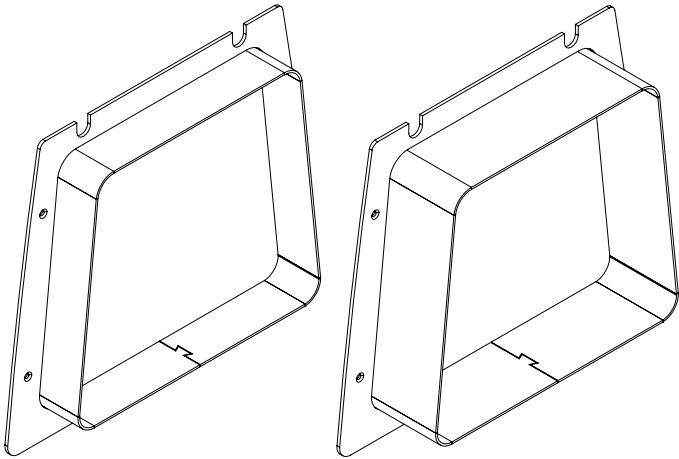
ANGLED VISOR (AGV)



Angled Visor (AGV)

The Angled Visor is designed for minimal glare control. Laser cut precision formed aluminum construction. Powder Coated flat black as standard. The **(AGV)** is field installable.

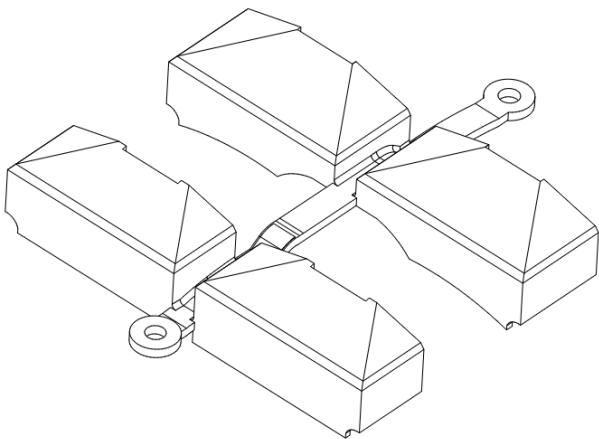
SNOOT (SNS) (SNL)



Snoot (SNS) (SNL)

Snoot in short or long options for full-cut off precision spot lighting. Laser cut precision formed aluminum construction. Powder Coated flat black as standard. The **(SNS)** & **(SNL)** is field installable.

HOUSE SIDE SHIELD (HSS)



House Side Shield (HSS)

House Side Shield **(HSS)** is designed for stringent property line cut-off. Injection Molded Glass Filled Nylon, standard finish is black.

FIXTURE FEATURES & OPTIONS

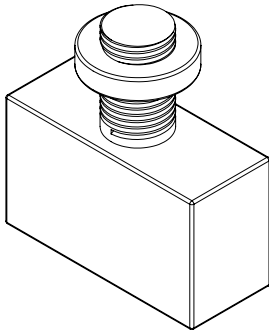
MARINE GRADE FINISH



Marine Grade Finish (MGF)

The **(MGF)** is a multi step process. Chemically washed in a 5 stage cleaning system. Pre-baked. Powder coated 3-5 mils of Zinc Rich Super Durable Polyester Primer. Oven Baked. Finished Powder Coating of Super Durable Polyester Powder Coat 3-5 mil thickness.

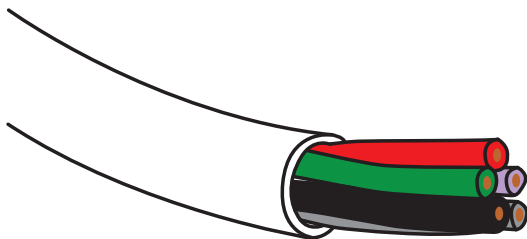
BUTTON PHOTOCELL



Button Type Photocell (PC)

Photocell for dusk to dawn operation.
Consult Factory.

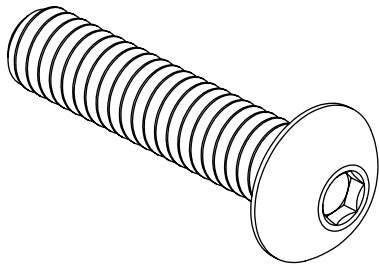
5 CONDUCTOR DIMMING LEADS



5 Conductor Dimming Leads (DL)

Standard Dimming Leads exiting the fixture for external dimming control.

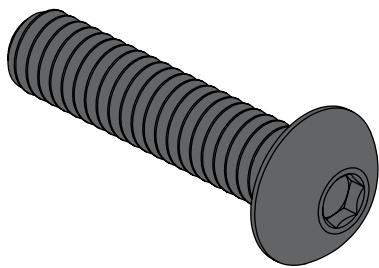
TAMPER PROOF HARDWARE



Tamper Proof Hardware (TPH)

316 Stainless Steel Button Head Hex Drive Screws. Provided to protect the optical assembly and the driver compartment for vandal resistance.

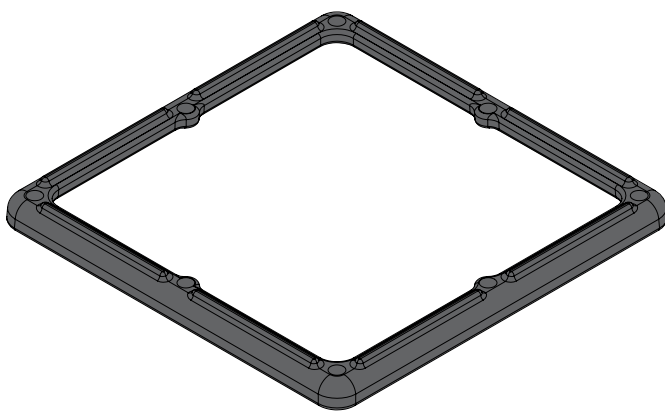
BLACK HARDWARE



Black Hardware (BH)

Black painted hardware.

BLACK OPTIC FRAME

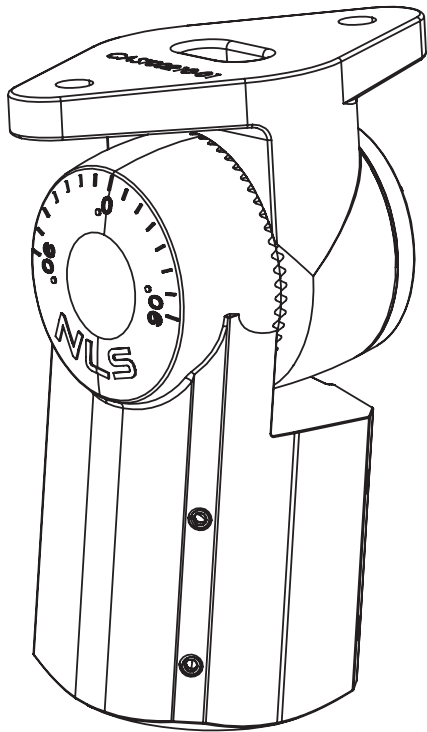


Black Optic Frame (BOF)

Optional Black Optic Frame.

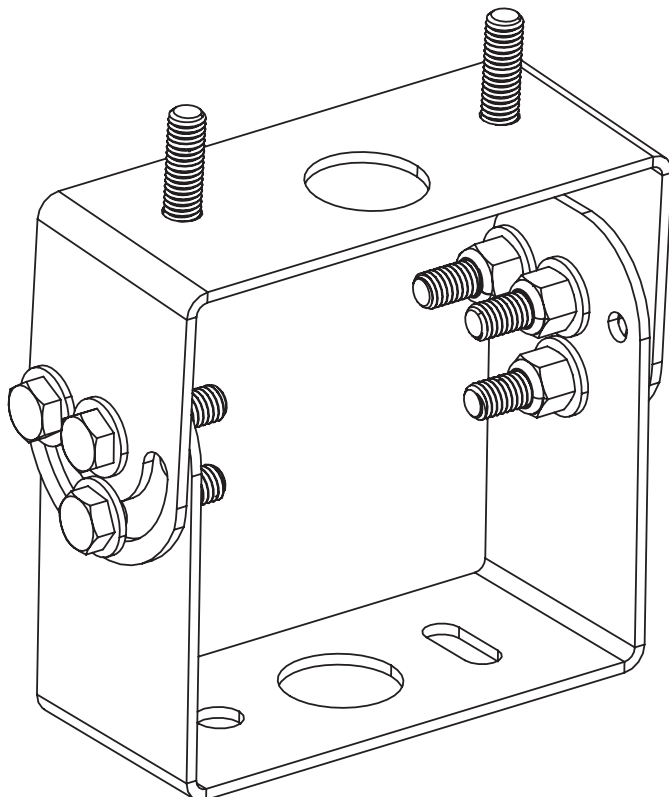
MOUNTING OPTIONS

KNUCKLE MOUNT 2 3/8" (KM)



(KM) Knuckle Mount fits over a 2-3/8" Tenon. Max tilt 180°.

TRUNNION MOUNT (TM)



(TM) Trunion Mount has a universal Mounting Pattern.