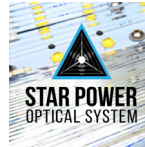


The Sentry is an outdoor vandal proof luminaire that is made out of cast aluminum grade. It is designed with vertical fins and painted with high quality powder coat (3mm), built to resist all outdoor conditions.

With its superior durability and high performance, the Sentry is a perfect solution for all lighting applications while specializing in vandal resistance. Perfect for recreational parks, shopping malls, parking lots, libraries, school sites, walkways and much more.

Kelvin temperature offerings include 2700K, 3000K, 3500K, 4000K and 5000K with a wattage range of 54 to 104 watts.



STAR POWER OPTICAL SYSTEM

The Star Power reflector is an excellent system which provides great value and performance.

LED WATTAGE CHART

	32L	48L
530 milliamps	54w	80w
700 milliamps	71w	104w

Project Name: _____ Type: _____

Cat#	Light Dist.	# of LEDs	Milliamps	Kelvin	Volts	Mounting	Color	Options
Sentry 2 (SY-2)	Type 3 (T3)	32 (32L)	530 (53)	2700K, 80 CRI (27K8)	120-277 (UNV)	Post Top Over 3' OD (T3R)	Bronze Textured (BRZ)	Bird Spikes (BS)
	Type 5 (T5)	48 (48L)	700 (7)	2700K, 80 CRI (27K8) ①	347-480 (HV)		White Textured (WHT)	Marine Grade Finish (MGF)
				3000K, 70 CRI (30K7)			Smooth White Gloss (SWT)	FSP-211 with Motion Sensor (FSP-8) ② 8' and Below (FSP-20) ② 9'-20' Heights (FSP-40) ② 21'-40' Heights
				3000K, 80 CRI (30K8) ①			Silver (SVR)	House Side Shield (HSS)
				3500K, 80 CRI (35K8) ①			Black Textured (BLK)	Nema 7-Pin Receptacle + Shorting Cap (PER)
				4000K, 70 CRI (40K7)			Smooth Black Gloss (SBK)	
				4000K, 80 CRI (40K8) ①			Graphite Textured (GPH)	
				5000K, 70 CRI (50K7)			Grey Textured (GRY)	
				5000K, 80 CRI (50K8) ①			Custom (CS)	

Notes:

- ① Consult Factory for Lead Time. Consult Factory for 90 CRI Requests.
- ② Universal Voltage 120-277

PRODUCT SPECIFICATIONS

ELECTRICAL

- 120-277 Volts (UNV) or 347-480 Volts (HV)
- 0-10V dimming driver
- Driver power factor at maximum load is $\geq .95$, THD maximum load is 15%
- LED Drivers Ambient Temp. Min is -40°C and Ambient Temp. Max ranges from 50°C to 55°C and, in some cases, even higher. Consult the factory for revalidation by providing the fixture catalog string before quoting and specifying it.
- All internal wiring UL certified for 600 VAC and 105°C
- CRI 70, 80 or 90
- Color temperatures: 2700, 3000K, 3500K, 4000K, 5000K
- Surge Protection: 20KA supplied as standard.

CONSTRUCTION

- Cast Aluminum. Tempered Glass Lens.

OPTIONS

- MARINE GRADE FINISH (MGF) - A multi-step process creating protective finishing coat against harsh environments. Chemically washed in a 5 stage cleaning system. Pre-baked, Powder coated 3-5 mils of Zinc Rich Super Durable Polyester Primer. Oven Baked. Finished Powder Coating of Super Durable Polyester Powder Coat 3-5 mil thickness.

Bird Spikes (BS)

House Side Shield (HSS) is designed for full property line cut-off.

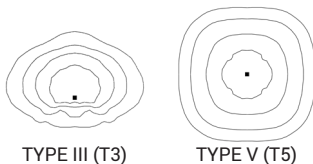
CONTROL OPTIONS

- FSP-211 (FSP-X)—Passive infrared (PIR) sensor providing multi-level control based on motion/daylight contribution.
 - All control parameters adjustable via wireless configuration remote storing and transmitting sensor profiles.
 - FSP-20 mounting heights 9-20 feet
 - FSP-40 mounting heights 21-40 feet.
 - Includes 5 dimming event cycles, 0-10V dimming with motion sensing, reprogrammable in the field.
 - FSIR-100 commissioning remote is required to change sensor settings. Please contact factory for ordering.
- Controls Agnostics: Please contact factory for your preferred controls option.

OPTICS

Recessed Star Power Optical System is 95% reflective material. Utilizes a linear diffused pattern, softening the light distribution and eliminating any dark shadows or striations.

- IES Types



FINISH

- 3-5 mils electrostatic powder coat.
- NLS Lighting standard high-quality finishes prevent corrosion and protects against extreme environmental conditions

WARRANTY

Five-year limited warranty for drivers and LEDs.

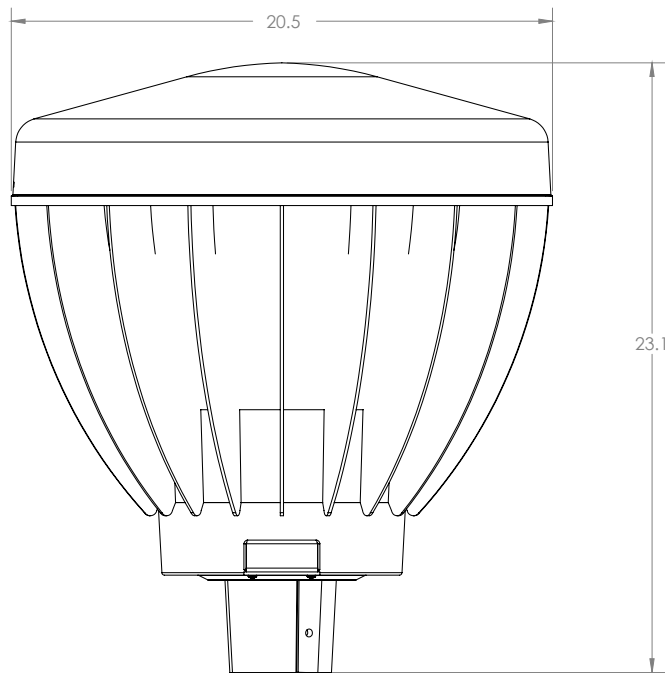


The information and specifications on this document are subject to change without any notification. All values are design, nominal, or typical or prorated values when measured under internal and external laboratory conditions.

PRODUCT SPECIFICATIONS

SENTRY - LUMEN DATA CHART

PART NUMBER	T3 LUMENS	T3 LM/W	T5 LUMENS	T5 LM/W	Watts
SY-2-32L-53-30K7	4806	89	5076	94	54
SY-2-32L-53-40K7	4968	92	5238	97	54
SY-2-32L-53-50K7	5184	96	5454	101	54
SY-2-32L-7-30K7	6319	89	6674	94	71
SY-2-32L-7-40K7	6532	92	6887	97	71
SY-2-32L-7-50K7	6816	96	7171	101	71
SY-2-48L-53-30K7	7120	89	7520	94	80
SY-2-48L-53-40K7	7360	92	7760	97	80
SY-2-48L-53-50K7	7680	96	8080	101	80
SY-2-48L-7-30K7	9256	89	9776	94	104
SY-2-48L-7-40K7	9568	92	10088	97	104
SY-2-48L-7-50K7	9984	96	10504	101	104



EPA	
LUMINAIRE	SINGLE
SENTRY II	1.5