

PRIORITY

Schoolhouse Pendant

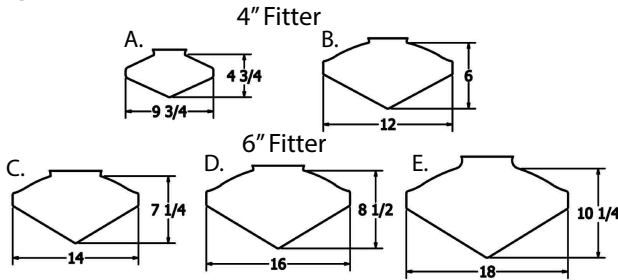
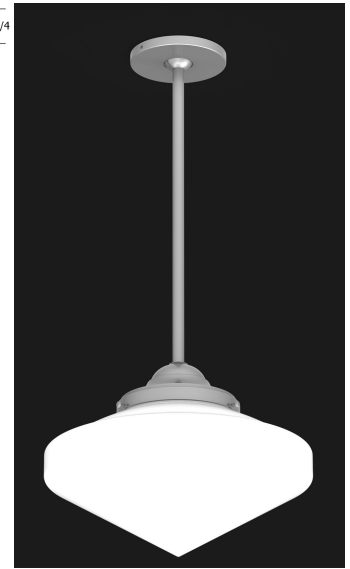
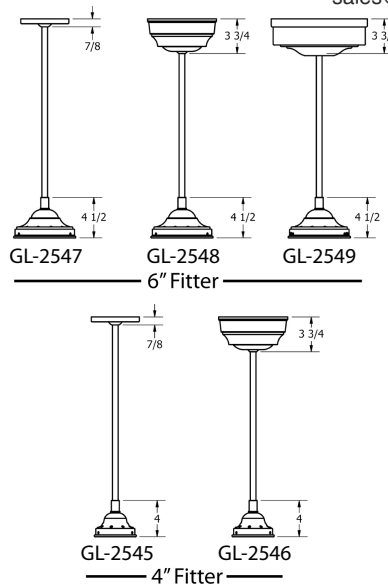


9777 Reavis Park Drive
St. Louis, MO 63123
800.331.2425 or 314.631.6000

sales@lighting.com www.lighting.com

GENERAL SPECIFICATION

- LED:** High efficiency mid-power LEDs are field serviceable.
- LED Dimming:** Standard 1% 0-10V dimming. TRIAC, DALI, or DMX available upon request.
- Canopy:** May be mounted on flat or sloped ceilings up to 40°.
- Body:** 18ga steel or .050 aluminum glass fitter.
- Glass:** White opal diffuser hand blown in the USA.
- Modifications:** Consult factory for lamping or cluster options.
- Finish:** Highly durable oven cured no VOC premium powder coat.
- Surge Protection:** External surge protector provided as standard.



SAMPLE CATALOG NUMBER:						036
MODEL NO.	LAMPING	GLASS	FINISH	OPTION(S)	OVERALL HEIGHT	
GL-2545	IN1. 1MED 120V only	4" Fitter: A. 9 3/4" x 4 3/4" B. 12" x 6"	Standard: Powder Coat BLK-Black BL-Blue GR-Gray LG-Light Gray BE-Beige PAB-Antique Brass PA-Painted Aluminum PTC-Painted Copper WH-White DBZ-Dark Bronze NSN-New Satin Nickel BRN-Brown RD-Red CH-Champagne RG-Reed Green SG-Sungold GM-Gun Metal POR-Oil Rubbed Bronze Textured Powder TLV-Light Verdigris TWH-Textured White TBL-Textured Black TS-Textured Silver TBN-Terra Brown TBZ-Textured Bronze Premium: SA-Satin Aluminum	A. No Options B. Damp Location Available in powder coat or Satin Aluminum finish. E. Emergency Ballast Operates one fluorescent lamp. Remote mount up to 5' from lamps in controlled environment with an area temperature range of 32°-131°F. Non-dimming compact fluorescent only. Specify 120 or 277 voltage. EL. Emergency LED Remote mount up to 10' from light source in controlled environment with an area temperature range of 32°-131°F. LED only. Specify 120 or 277 voltage.	Specify overall height in inches.	
GL-2546	E. 1CFQ13 H. 1CFT26 Y0. 11LED30 F. 1CFQ18 I. 1CFT32 Y5. 11LED35 G. 1CFQ26 J. 1CFT42 Y4. 11LED40	6" Fitter: C. 14" x 7 1/4" D. 16" x 8 1/2" E. 18" x 10 1/4"				
GL-2547	IN1. 1MED 120V only					
GL-2548	K. 2CFQ13 N. 2CFT26 Y0. 11LED30 L. 2CFQ18 O. 2CFT32 Y5. 11LED35 M. 2CFQ26 P. 2CFT42 Y4. 11LED40 W0. 16LED30 W5. 16LED35 W4. 16LED40					
GL-2549	Q. 3CFT26 Specify Voltage Q-S: R. 3CFT32 1 - 120V S. 3CFT42 2 - 277V					

All dimensions are nominal.

Light Source Definition

Lamp	Fluorescent	Lamp Base	Rated Life Hrs ¹	Lumens ¹	Code	LED	Total Wattage	Delivered Lumens	Kelvin
CFQ13	CFQ 13W	G24q-1	17000	755	Y0	11LED30	11	1075	3000
CFQ18	CFQ 18W	G24q-2	17000	970	Y5	11LED35	11	1075	3500
CFQ26	CFQ 26W	GX24q-3 4PIN	17000	1530	Y4	11LED40	11	1075	4000
CFT26	CFTR 26W	GX24q-3 4PIN	17000	1530	W0	16LED30	16	1652	3000
CFT32	CFTR 32W	GX24q-3 4PIN	17000	2010	W5	16LED35	16	1652	3500
CFT42	CFTR 42W	GX24q-4 4PIN	17000	2690	W4	16LED40	16	1652	4000
IN1		Medium							

Universal Voltage unless otherwise specified.

¹Per GE lamp product catalog. Contact factory for availability of other lamp configurations.

