

# CM1924 SERENITY™

## 2' x 4' High Abuse Overbed



[VisaLighting.com/products/Serenity](http://VisaLighting.com/products/Serenity)

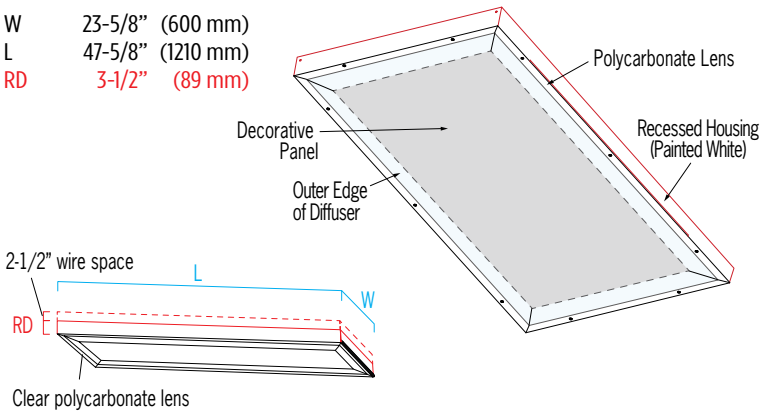
Type: \_\_\_\_\_ Project: \_\_\_\_\_ Location: \_\_\_\_\_



### DIMENSIONS

W = Width L = Length RD = Recessed Depth

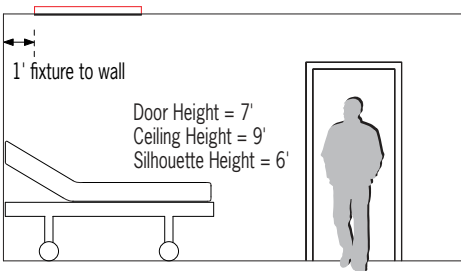
W 23-5/8" (600 mm)  
 L 47-5/8" (1210 mm)  
 RD 3-1/2" (89 mm)



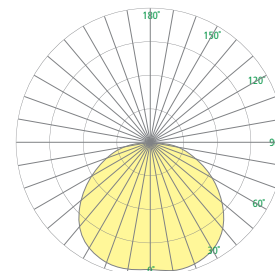
### FEATURES

- Driver located within the housing and accessible from below the ceiling
- Low voltage patient control (LVPC-DIM) switching interface accessory available for pillow speaker/nurse call systems (order separately – see page 2)
- Amber night light option to minimize patient disturbance
- High abuse lens and frame features 1/8" thick, high impact clear polycarbonate secured with tamper resistant fasteners; ligature resistant (sheetrock/drywall installation only)
- Shallow recessed depth minimizes interference with systems within ceiling plenum
- Housing is white (no VOC) powder coat paint
- Antimicrobial finishes (no VOC) on all interior and exterior painted surfaces
- Outer edge of diffuser (source of light) is high transmittance matte white acrylic
- Decorative panel – choose from four calming patterns or design your own custom pattern
- ETL listed for damp locations. Not suited for exterior applications

### RELATIVE SCALE DRAWING



### PHOTOMETRICS



Reading, Ambient, & Exam



ETL Listed

5 Year Warranty

# CM1924 SERENITY (cont.)

## 2' x 4' High Abuse Overbed



Fill in shaded boxes using information listed below

CM1924												
MODEL		SOURCE <sup>1</sup>				VOLTAGE <sup>2</sup>		SOURCE OPTION(S) <sup>3</sup>		DECORATIVE PANEL <sup>4</sup>		OPTION(S) <sup>5</sup>
		L30K(H) L30K(L) L35K(H) L35K(L) L40K(H) L40K(L)				MVOLT 120V 277V		90CRI NGT		ESS ORB VCT VEN		CP NAF

SOURCE<sup>1,2</sup> (Select one)

Dimmable 0-10V to 1%, Minimum 80CRI, within 3-step MacAdam

Source	CCT	Reading		Ambient		Exam		Total		Voltage
		Delivered Lumens	Power (Watts)	Delivered Lumens	Power (Watts)	Delivered Lumens	Power (Watts)	Delivered Lumens	Power (Watts)	
L30K(H)	3000K	2700	47	2300	29	5900	98	10900	174	120V or 277V
L30K(L)	3000K	2700		2300			5000	76	MVOLT	
L35K(H)	3500K	2700		2300		6000	98	11000	174	120V or 277V
L35K(L)	3500K	2700		2300			5000	76	MVOLT	
L40K(H)	4000K	2800		2400		6200	98	11400	174	120V or 277V
L40K(L)	4000K	2800		2400			5200	76	MVOLT	

90CRI option reduces lumen output by 12%

SOURCE OPTIONS<sup>3</sup> (Multiple selections allowed)

90CRI	Color rendering index 93; minimum R9 value of 50 (lumen output reduced by 5%) Minimum 80CRI within 3-step MacAdam is standard if option is not selected
NGT	Night Light (amber)

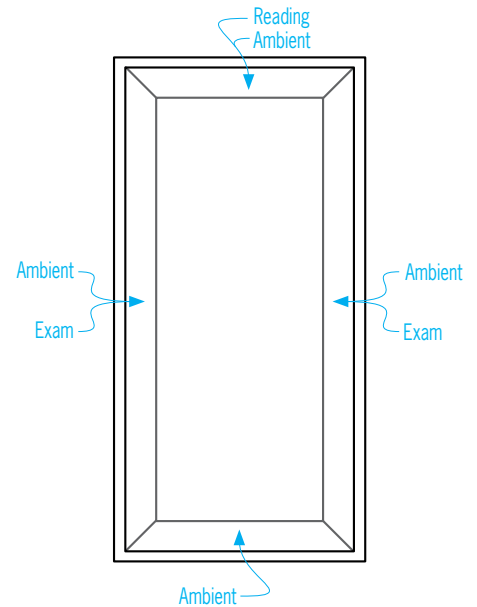
DECORATIVE PANEL<sup>4</sup> (Select one)

ORB and VEN options not recommended for behavioral health applications

ESS	Essence	VCT	Vector
ORB	Orbit	VEN	Venture



### LIGHTING COMPONENT LOCATIONS



OPTIONS<sup>5</sup> (Multiple selections allowed)

⚠ Option availability may be interdependent with Other Options

CP	Chicago Platinum certified
NAF	Ceiling plane sealing gasket

ACCESSORY (Order Separately)

LVPC-DIM	Low voltage patient control interface (3 load with dimming) requires minimum of 1 switch per zone (by others), mounts in electrical box (by others)
----------	---

# CM1924 SERENITY (cont.)

## 2' x 4' High Abuse Overbed

### SERENITY PRODUCT FAMILY

<b>Wall Sconce</b>	<b>ADA</b>		• CB1930
<b>Headwall</b>			• CB1934
<b>Overbed</b>	<b>High Abuse</b>	24" x 24"	• CM1922
		24" x 48"	• CM1924
	<b>Tandem</b>	12" x 48"	• CM1930
		24" x 24"	• CM1938
		24" x 48"	• CM1946
<b>Table Lamp</b>	<b>Fixed Base</b>		• TF1930
	<b>Freestanding</b>		• TF1932
	<b>Charging Base</b>		• TF1934

### SUGGESTED VARIATIONS

- Custom graphic for decorative panel
- Alternate finish
- Increase or decrease fixture height or width

See [Visalighting.com/products/Serenity](https://visalighting.com/products/Serenity) for more information