

Fixture Type: _____

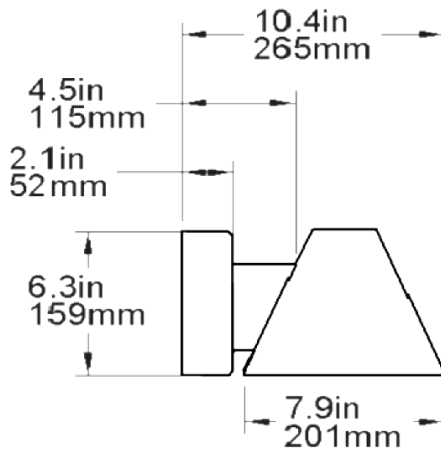
Model Number: _____

Project Name: _____



CHARISMA

Full Cutoff Amber LED Wall Mount



General: The simple, elegant, and compact design of the Charisma series is perfect for both direct and indirect accent lighting applications.

Full Cutoff Fixture: The Charisma series is a fully-shielded, full cutoff fixture. No upward light above horizontal.

Construction: Cast, low-copper content aluminum housing, mounting bracket and arm. Stainless steel external hardware to protect against corrosion.

Glass Lens: Glass lens available in either clear glass (-CGL) or stippled glass (-SGL) lens options.

Amber LED: LED module, located in upper housing, operates between 585nm and 595nm, greater than the 560nm required for wildlife protection.

Wattage: Array: 18.1 watts

Driver: Constant Current Driver wired to 700mA, 120-277V, 50/60Hz; Dimmable

Mounting: Straight arm wall mount style is standard.

Finish: Textured polyester powder coat finish. Shade underside is standard with white finish. Black, bronze, gray, white, silver, and verde green options available on housing exterior. Consult factory for custom colors.

Gaskets: Shall be supplied with EPDM gasketing.

Weight: 7 lbs.

Listings: ETL Listed to UL 8750. IESNA LM79



FWC Guidelines: Per FWC sea turtle lighting guidelines, the Charisma series fixture is to be downward directed with a maximum mounting height of 8 feet above the floor. Additional shielding may be necessary if directly or indirectly visible from the beach.



content of specification sheet is subject to change.

N60 W14592 Kaul Avenue
Menomonee Falls, WI 53051

P 877 965 0005
intrigueled.com

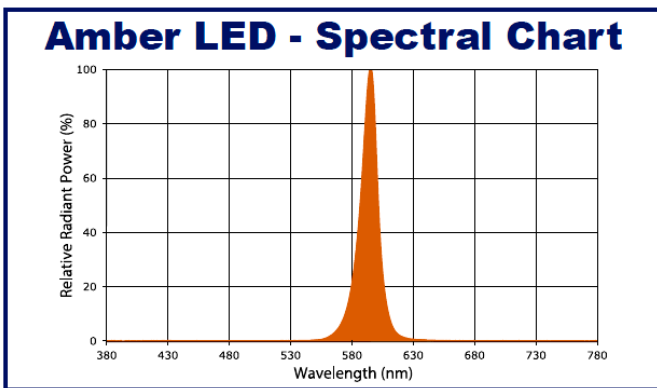
Fixture Type: _____
 Model Number: _____
 Project Name: _____



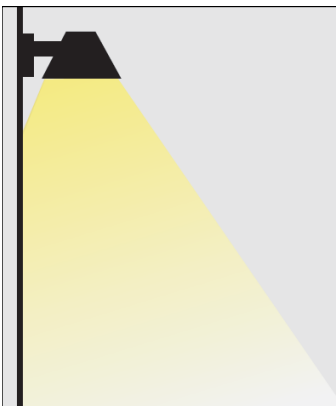
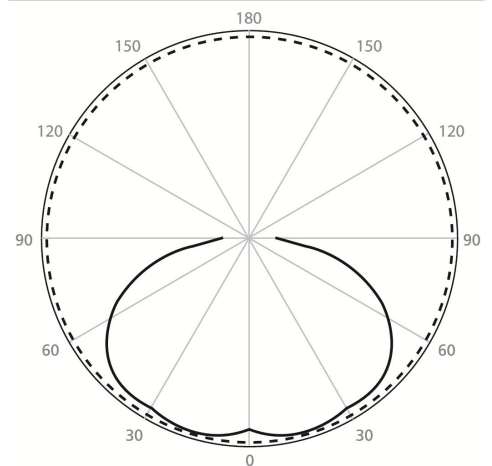
PHOTOMETRIC SPECIFICATIONS

Photometric Performance

| Input Watts | Drive Current (mA) | Color Temperature | Optics | Lumens | LPW |
|-------------|--------------------|-------------------|--------|--------|-----|
| 20.0w | 700mA | 590nm | Lens | 680 | 57 |



PHOTOMETRICS
 Vertical — Horizontal - - - -



content of specification sheet is subject to change.

N60 W14592 Kaul Avenue
 Menomonee Falls, WI 53051

P 877 965 0005
intrigueled.com

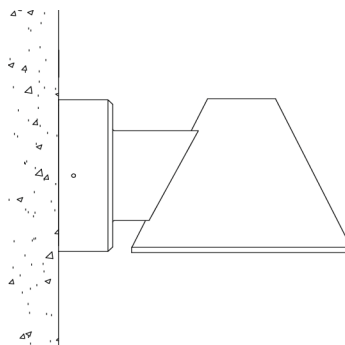
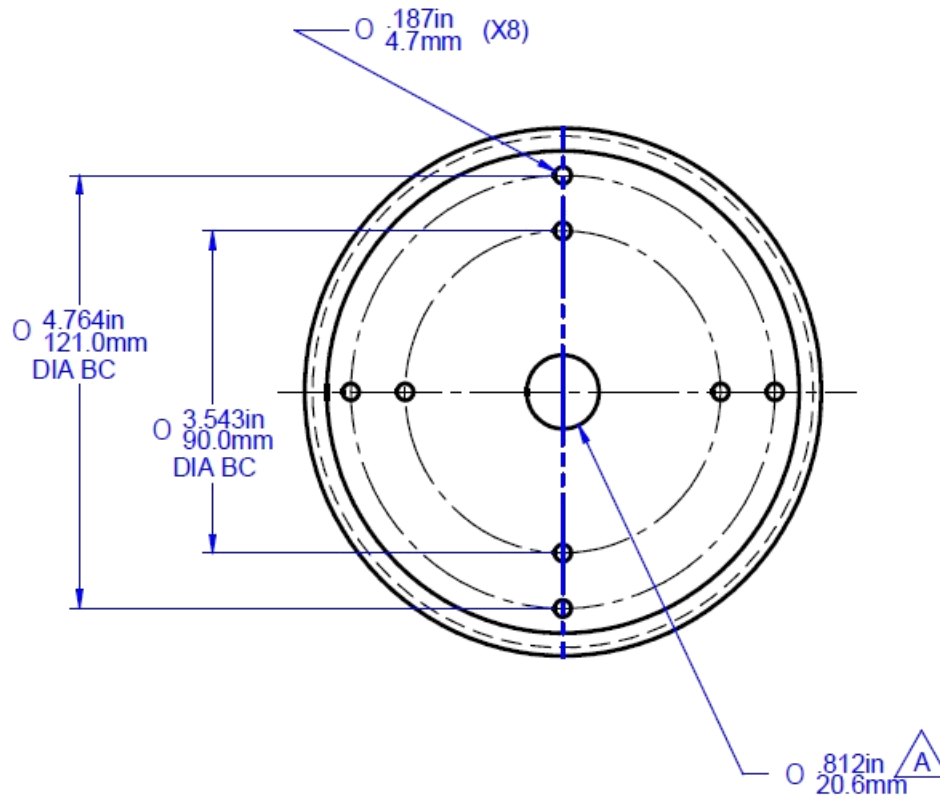
Fixture Type: _____

Model Number: _____

Project Name: _____



MOUNTING / INSTALLATION DETAIL



content of specification sheet is subject to change.

N60 W14592 Kaul Avenue
Menomonee Falls, WI 53051

P 877 965 0005
intrigueled.com

Fixture Type: _____
 Model Number: _____
 Project Name: _____



SERIES MOUNTING WATTAGE COLOR (K) LENS OPTIONS VOLTAGE FINISH
CS - WA - 20LED - AML - - - UNV -

MODEL NUMBER DETAIL

- | | | |
|------------------|--|---|
| SERIES | <input type="checkbox"/> CS | Charisma Full Cutoff Amber LED Wall Mount |
| MOUNTING | <input type="checkbox"/> WA | Straight Wall Arm Mount |
| WATTAGE | <input type="checkbox"/> 20LED | 20-watt Amber LED Module |
| COLOR (K) | <input type="checkbox"/> AML | Amber (585nm - 595nm) |
| LENS | <input type="checkbox"/> CGL <input type="checkbox"/> PGL | Tempered Flat Clear Glass Lens Tempered Flat Prismatic Glass Lens |
| OPTIONS | <input type="checkbox"/> HSS | 180° House Side Shield |
| VOLTAGE | <input type="checkbox"/> UNV | Universal Voltage (120v-277v) (50/60Hz); electronic dimmable driver (700mA) |
| FINISH | <input type="checkbox"/> BLK <input type="checkbox"/> BRZ <input type="checkbox"/> GRY <input type="checkbox"/> SIL <input type="checkbox"/> VGN <input type="checkbox"/> WHT <input type="checkbox"/> CC | Black Bronze Grey Silver Verde Green White Custom Color - Consult Factory |



content of specification sheet is subject to change.

N60 W14592 Kaul Avenue
 Menomonee Falls, WI 53051

P 877 965 0005
intrigueled.com

Jul-19