

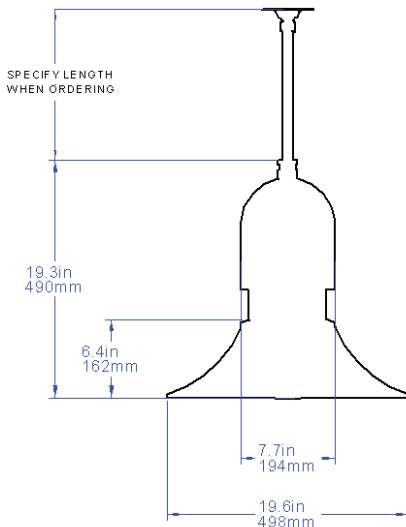
Type: _____ Model: _____

Project: _____



CITATION

Pendant Mount



CITATION PENDANT MOUNT

WEIGHT=27.5lbs
AREA= 180in²
EPA=.625 ft²

General: The open birdcage and swept shade of the Citation provides a decorative uplight component in a classic fixture. Appropriate for pedestrian scale installations, the varied mounting configurations provide an appeal across a variety of installations.

Construction: Top, housing, and mounting gear are constructed of low copper content cast aluminum. Shade shall be spun aluminum. Stainless steel external hardware to protect against the exterior elements.

Lens: Glass globe available in opal (-OL) or clear (-CL).

Tops: Top style available in Dome (-D).

LED Light Engine: LED module located in upper housing with LED module offering 37 nominal input watts. Available in color temperatures of 3000K, 3500K, 4000K, and 5000K. Minimum CRI = 80.

Driver: Constant current LED driver; input voltage of 120v to 277v, internally mounted.

Heat Sink: Finned heat sink shall be extruded aluminum and shall be located in housing above LED module.

Mounting: For use with Pendant Mount Kit accessory. Ordered separately and in various lengths, Pendant Mount Kit required for complete installation.

Finish: Textured polyester powder coat finish. Shade underside is standard white finish. Black, bronze, grey, white, silver, and verde green options available. For woodgrain finish and custom colors, consult factory.

Gaskets: EPDM gaskets standard.

EPA and Weight:	EPA	PA	0.71ft ²
		PTS	0.88ft ²
		PAS	0.90ft ²
Weight	PA	26 lbs	
	PTS	27 lbs	
	PAS	28 lbs	



Listings: ETL Listed to UL 8750. IESNA LM79.



Type: _____ Model: _____

Project: _____



SERIES MOUNTING WATTAGE CCT (kelvin) TOP STYLE LENS VOLTAGE FINISH

FIXTURE DETAIL

SERIES **CT** Citation Pendant Mount

MOUNTING **PM** Pendant Mount ¹

¹ For complete installation, please order accessory PMJB, Pendant Mount Kit. See specification sheet for ordering information.

WATTAGE **37LED** 37 input watts

Nominal Watts	Nominal Lumens	Lumens/Watt (LPW)	CCT (Kelvin)	CRI	Rated Life (L85)	Drive Current (mA)	Nominal Voltage
	3,700	100	3000				
37	3,750	101	3500	> 80	50,000 hrs	700mA	48.0
	3,750	101	4000				
	3,800	103	5000				

COLOR (kelvin)

30K 3000K

35K 3500K

40K 4000K

50K 5000K

TOP STYLE **D** Dome

LENS

CL Clear Glass Globe

OL Opal/Translucent Glass Globe

VOLTAGE

120 120v; 50/60Hz; output current 700mA

277 277v; 50/60Hz; output current 700mA

FINISH

BLK Black finish **VGN** Verde Green finish

BRZ Bronze finish **WHT** White finish

GRY Grey finish **CC** Custom Color – consult factory

SIL Silver finish **WGF** Woodgrain finish – consult factory

IES files can be found on website.

Content of specification sheets is subject to change. Please consult website for current product detail.



www.intrigueled.com

N60 W14592 Kaul Avenue Menomonee Falls, WI 53051
P: (877) 965 0005 F: (262) 436 1745