

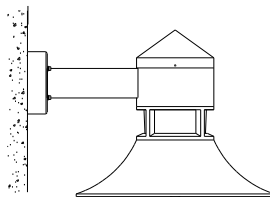
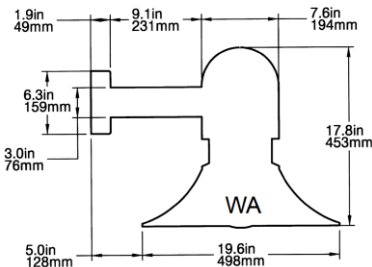
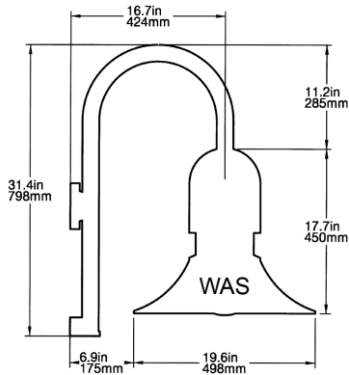
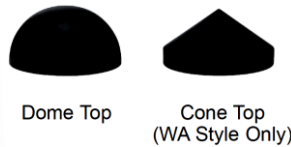
Type: _____ Model: _____

Project: _____



CITATION

LED Wall Mount



General: The open birdcage and swept shade of the Citation provides a decorative upright component in a classic fixture. Appropriate for pedestrian scale installations, the varied mounting configurations provide an appeal across a variety of installations.

Construction: Top, housing, and mounting gear are constructed of low copper content cast aluminum. Shade shall be spun aluminum. Stainless steel external hardware to protect against the exterior elements.

Lens: Glass globe available in opal (-OL) or clear (-CL).

Tops: Two (2) top styles available: Cone (-C) (straight arm only) and Dome (-D).

LED Light Engine: LED module located in upper housing with LED module offering 37 nominal input watts. Available in color temperatures of 3000K, 3500K, 4000K, and 5000K. Minimum CRI = 80.

Driver: Constant current LED driver; input voltage of 120v to 277v, internally mounted.

Heat Sink: Finned heat sink shall be extruded aluminum and shall be located in housing above LED module.

Mounting: Two (2) wall mount styles available: straight wall arm (-WA), and wall arm shepherds crook (-WAS).

Finish: Textured polyester powder coat finish. Shade underside is standard white finish. Black, bronze, grey, white, silver, and verde green options available. For custom colors, consult factory.

Gaskets: EPDM gaskets standard.

EPA and Weight:	EPA	PA	0.71ft ²
		PTS	0.88ft ²
		PAS	0.90ft ²
Weight	PA	26 lbs	
	PTS	27 lbs	
	PAS	28 lbs	

Listings: ETL Listed to UL 8750. IESNA LM79.



Type: _____ Model: _____

Project: _____



SERIES MOUNTING WATTAGE CCT (kelvin) TOP STYLE LENS VOLTAGE FINISH

FIXTURE DETAIL

SERIES **CT** Citation Wall Mount

MOUNTING **WA** Straight Arm Wall Mount
 WAS Wall Arm Shepherds Crook Mount

WATTAGE **37LED** 37 input watts

Nominal Watts	Nominal Lumens	Lumens/Watt (LPW)	CCT (Kelvin)	CRI	Rated Life (L85)	Drive Current (mA)	Nominal Voltage
	3,700	100	3000				
37	3,750	101	3500	> 80	50,000 hrs	700mA	48.0
	3,750	101	4000				
	3,800	103	5000				

COLOR (kelvin) **30K** 3000K
 35K 3500K
 40K 4000K
 50K 5000K

TOP STYLE **C** Cone (straight arm wall mount –WA only)
 D Dome

LENS **CL** Clear Glass Globe
 OL Opal/Translucent Glass Globe

VOLTAGE **UNV** 120v – 277v; output current 700mA

FINISH **BLK** Black finish **VGN** Verde Green finish
 BRZ Bronze finish **WHT** White finish
 GRY Grey finish **CC** Custom Color – consult factory
 SIL Silver finish

IES files can be found on website.

Content of specification sheets is subject to change. Please consult website for current product detail.

