

Type: \_\_\_\_\_ Model: \_\_\_\_\_

Project: \_\_\_\_\_

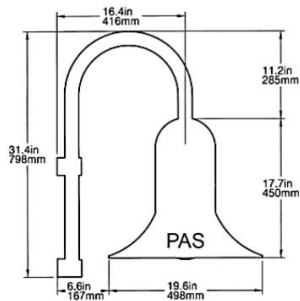
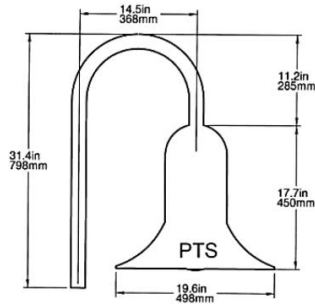
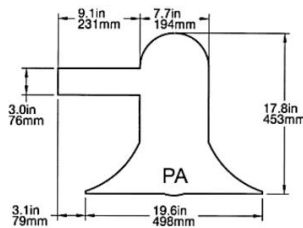


# EPIC FULL CUTOFF

## IESNA Full Cutoff LED Post Top



shown with straight post arm mount (-PA)



**General:** The classic straight-shade design of the Epic series provides a full-cutoff decorative fixture. Fixture was designed to meet IESNA standards for full-cutoff, eliminating upward light pollution.

**Construction:** Top, housing, and mounting gear are constructed of low copper content, marine grade, cast aluminum. Shade shall be spun aluminum. Stainless steel external hardware to protect against the exterior elements.

**Lens:** Glass globe available in opal (-OL) or clear (-CL).

**Tops:** Two (2) top styles available: Cone (-C) and Dome (-D) top. Cone top for -PA straight arm only.

**LED Light Engine:** LED module located in upper housing with LED module offering 37 nominal input watts. Available in color temperatures of 2700K, 3000K, 3500K, 4000K, and 5000K. Minimum CRI = 80.

**Driver:** Constant current LED driver; input voltage of 120v to 277v, internally mounted.

**Heat Sink:** Finned heat sink shall be extruded aluminum and shall be located in housing above LED module.

**Mounting:** Three (3) pole mount styles available: straight pole arm (-PA), post top shepherds crook (-PTS), and side arm shepherds crook (-PAS).

**Pole:** See Intrigue "Pole Specification Guide" for product detail.

**Finish:** Textured polyester powder coat finish. Shade underside is standard white finish. Black, bronze, grey, white, silver, and verde green options available. Consult factory for custom colors.

**Gaskets:** EPDM gaskets standard.

| EPA and Weight: | EPA | PA  | 0.75ft <sup>2</sup> |
|-----------------|-----|-----|---------------------|
|                 |     | PTS | 0.85ft <sup>2</sup> |
|                 |     | PAS | 0.86ft <sup>2</sup> |

|        |     |        |
|--------|-----|--------|
| Weight | PA  | 26 lbs |
|        | PTS | 27 lbs |
|        | PAS | 28 lbs |



**Listings:** ETL Listed to UL 8750. IESNA LM79



Type: \_\_\_\_\_ Model: \_\_\_\_\_

Project: \_\_\_\_\_



SERIES MOUNTING WATTAGE CCT (kelvin) TOP STYLE LENS VOLTAGE FINISH

## FIXTURE DETAIL

**SERIES**  **ECF** Epic Full Cutoff Pole Mount

**MOUNTING**  **PA** Straight Arm Pole Mount  
 **PAS** Side Arm Shepherds Crook Mount  
 **PTS** Post Top Shepherds Crook Mount

**WATTAGE**  **37LED** 37 input watts

| Nominal Watts | Nominal Lumens | Lumens/Watt (LPW) | CCT (Kelvin) | CRI  | Rated Life (L85) | Drive Current (mA) | Nominal Voltage |
|---------------|----------------|-------------------|--------------|------|------------------|--------------------|-----------------|
|               | 3,650          | 99                | 2700         |      |                  |                    |                 |
|               | 3,700          | 100               | 3000         |      |                  |                    |                 |
| <b>37</b>     | 3,750          | 101               | 3500         | > 80 | 50,000 hrs       | 700mA              | 48.0            |
|               | 3,750          | 101               | 4000         |      |                  |                    |                 |
|               | 3,800          | 103               | 5000         |      |                  |                    |                 |

**COLOR (kelvin)**  **27K** 2700K  
 **30K** 3000K  
 **35K** 3500K  
 **40K** 4000K  
 **50K** 5000K

**TOP STYLE**  **C** Cone  
 **D** Dome

**LENS**  **CL** Clear Glass Globe  
 **OL** Opal/Translucent Glass Globe

**VOLTAGE**  **UNV** 120v – 277v; output current 700mA

**FINISH**  **BLK** Black finish  **VGN** Verde Green finish  
 **BRZ** Bronze finish  **WHT** White finish  
 **GRY** Grey finish  **CC** Custom Color – consult factory  
 **SIL** Silver finish

IES files can be found on website.

Content of specification sheets is subject to change. Please consult website for current product detail.



www.intrigueled.com

N60 W14592 Kaul Avenue Menomonee Falls, WI 53051

P: (877) 965 0005

F: (262) 436 1745