

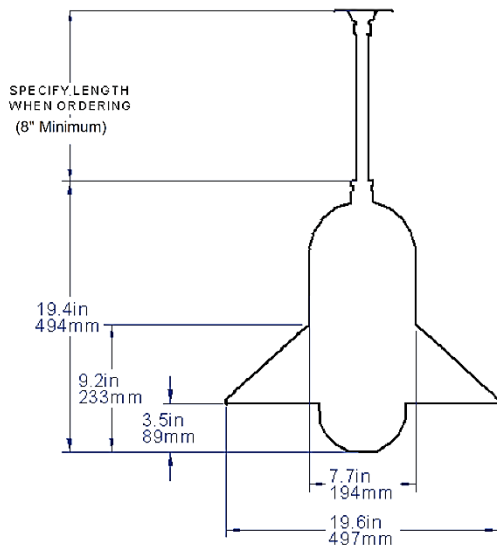
Type: _____ Model: _____

Project: _____



EPIC

LED Pendant Mount



General: The classic contemporary style of the Epic series blends well into a variety of architectural styles, both past and present. Appropriate for pedestrian scale installations, the varied pendant mounting length options provide an aesthetic appeal.

Construction: Top, housing, and mounting gear are constructed of low copper content cast aluminum. Shade shall be spun aluminum. Stainless steel external hardware to protect against the exterior elements.

Lens: Glass globe available in opal (-OL) or clear (-CL).

Tops: Shall be Dome (-D) style to accommodate pendant mount.

LED Light Engine: LED module located in upper housing with LED module offering 37 nominal input watts. Available in color temperatures of 3000K, 3500K, 4000K, and 5000K. Minimum CRI = 80.

Driver: Constant current LED driver; input voltage of 120v to 277v, internally mounted.

Heat Sink: Finned heat sink shall be extruded aluminum and shall be located in housing above LED module.

Mounting: For use with Pendant Mount Kit accessory. Ordered separately and in various lengths, Pendant Mount Kit required for complete installation.

Finish: Textured polyester powder coat finish. Shade underside is standard white finish. Black, bronze, grey, white, silver, and verde green options available. For woodgrain finish and custom colors, consult factory.

Gaskets: EPDM gaskets standard.

EPA and Weight: EPA 0.625ft²
Weight 27-1/2 lbs



Listings: ETL Listed to UL 8750. IESNA LM79.



Type: _____ Model: _____

Project: _____



SERIES MOUNTING WATTAGE CCT (kelvin) TOP STYLE LENS VOLTAGE FINISH

FIXTURE DETAIL

SERIES **EC** Epic Pendant Mount

MOUNTING **PM** Pendant Mount

for complete installation, please order accessory PMJB, Pendant Mount Kit (see specification sheet for ordering information)

WATTAGE **37LED** 37 input watts

Nominal Watts	Nominal Lumens	Lumens/Watt (LPW)	CCT (Kelvin)	CRI	Rated Life (L85)	Drive Current (mA)	Nominal Voltage
	3,700	100	3000				
37	3,750	101	3500	> 80	50,000 hrs	700mA	48.0
	3,750	101	4000				
	3,800	103	5000				

COLOR (kelvin) **30K** 3000K
 35K 3500K
 40K 4000K
 50K 5000K

TOP STYLE **D** Dome

LENS **CL** Clear Glass Globe
 OL Opal/Translucent Glass Globe

VOLTAGE **UNV** 120v – 277v; output current 700mA

FINISH **BLK** Black finish **VGN** Verde Green finish
 BRZ Bronze finish **WHT** White finish
 GRY Grey finish **CC** Custom Color – consult factory
 SIL Silver finish **WGF** Woodgrain finish – consult factory

IES files can be found on website.

Content of specification sheets is subject to change. Please consult website for current product detail.



www.intrigueled.com

N60 W14592 Kaul Avenue Menomonee Falls, WI 53051

P: (877) 965 0005

F: (262) 436 1745