

Fixture Type: _____

Model Number: _____

Project Name: _____



ERADYN ROUND

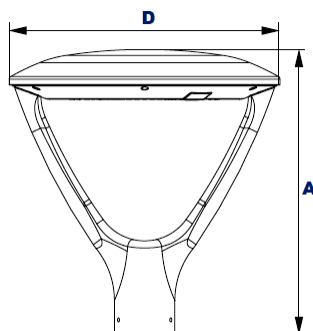
Architectural Round Open LED Pole Mount



1PA
Eradyn single arm
open round post top



2PA
Eradyn double arm
open round post top



Dimensions

Diameter (D)	18" (457mm)
Height (A)	18¾" (479mm)

EPA (Effective Projected Area)

Configuration	EPA (Sq. Ft.)	Weight (Lbs.)
	1.00	29 Lbs

General: The Eradyn architectural round open LED pole mounts are available in Type I, II, III, IV or V distributions designed to replace HID lighting systems up to 400w HID. The fixtures mount to a pole top tenon. Typical area lighting applications include parking areas, walkways, and street lighting applications. Mounting heights of 12 to 30 feet can be used based on light level and uniformity requirements.

Housing: Die cast and sand cast aluminum housing with integral heat sink. Nickel-plated stainless steel hardware. Optional twist-lock receptacle and photocells are factory installed.

Finish: Black powder coat finish over a chromate conversion coating. For custom colors, please consult factory.

Lens: Clear polycarbonate vandal-resistant array lens with integral optics; gasketed to seal LED array.

Mounting: Mounts to pole top tenon 2-7/8"OD x 3" long.

Wattage: (5) LED board options:
Array: 25 watts System: 28 watts
Array: 37 watts System: 41 watts
Array: 65 watts System: 72 watts
Array: 100 watts System: 111 watts
Array: 140 watts System: 156 watts

Driver: Electronic Driver, 120-277V, 50/60Hz; <20% THD and PF >0.90. Standard internal surge protection 6kV. 0-10V dimming standard for a dimming range of 100% down to 10%.

Controls: Fixtures ordered with factory-installed photocell or motion sensor controls are internally wired for switching and/or 1-10V dimming within housing. Remote direct wired interface of 1-10V dimming is not implied and may not be available; consult factory. Fixtures are NOT designed for use with line voltage dimmers.

Certifications: CSA listed for wet locations
ANSI/UL 1598, 8750
IP66 Sealed LED Compartment
Operating temperature: -40°C to +50°C



content of specification sheet is subject to change.

Fixture Type: _____

Model Number: _____

Project Name: _____



PHOTOMETRIC SPECIFICATIONS

LED Board Watts	Drive Current (mA)	Input Watts	Optics	ERA-RND-1PA-4K					ERA-RND-2PA-4K				
				Lumens	LPW	B	U	G	Lumens	LPW	B	U	G
37w	525	42	Type II Clear	5,111	122	1	0	1	4,723	113	1	0	1
			Type III Clear	5,132	122	2	0	2	4,742	113	1	0	1
			Type IV Clear	4,682	112	1	0	2	4,516	108	1	0	2
			Type V Clear	5,135	122	3	0	1	4,745	113	3	0	1
65w		74	Type II Clear	8,979	121	2	0	2	8,298	112	2	0	1
			Type III Clear	9,015	122	2	0	2	8,331	113	2	0	2
			Type IV Clear	8,226	111	2	0	3	7,933	107	2	0	3
			Type V Clear	9,021	122	3	0	2	8,336	113	3	0	2
100w		114	Type II Clear	13,814	121	2	0	2	12,766	112	2	0	2
			Type III Clear	13,869	122	3	0	3	12,817	112	3	0	3
			Type IV Clear	12,656	111	2	0	3	11,881	104	2	0	3
			Type V Clear	13,878	122	4	0	2	12,826	113	4	0	2
140w		159	Type II Clear	19,339	122	3	0	3	17,871	112	3	0	3
			Type III Clear	19,417	122	3	0	3	17,943	113	3	0	3
			Type IV Clear	17,717	111	3	0	4	16,392	103	3	0	3
			Type V Clear	19,430	122	4	0	2	17,955	113	4	0	2

Projected Lumen Maintenance

Data shown for 5000 CCT		Compare to MH				
TM-21-11	Input Watts	Initial	25,000 Hrs	50,000 Hrs	100,000 Hrs	Calculated LED Life
L70 Lumen Maintenance @ 25°C / 77°F	All wattages up to and including 159w	1.00	0.98	0.95	0.91	327,000
L70 Lumen Maintenance @ 50°C / 122°F		1.00	0.94	0.89	0.78	134,000
L80 Lumen Maintenance @ 40°C / 104°F		1.00	0.96	0.93	0.86	141,000

NOTES:

1. Projected per IESNA TM-21-11. Data references the extrapolated performance projections for the 525mA base model in a 25°C ambient, based on 10,000 hours of LED testing per IESNA LM-80-08.
2. Compare to MH box indicates suggested Light Loss Factor (LLF) to be used when comparing to Metal Halide (MH) systems.



content of specification sheet is subject to change.

N60 W14592 Kaul Avenue
Menomonee Falls, WI 53051

P 877 965 0005
intrigueled.com

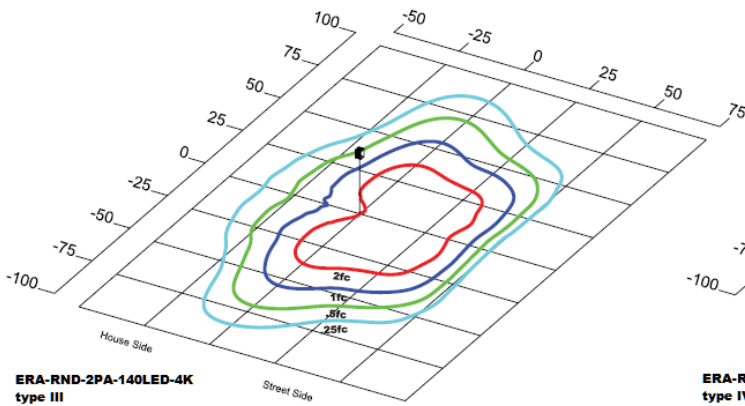
Fixture Type: _____

Model Number: _____

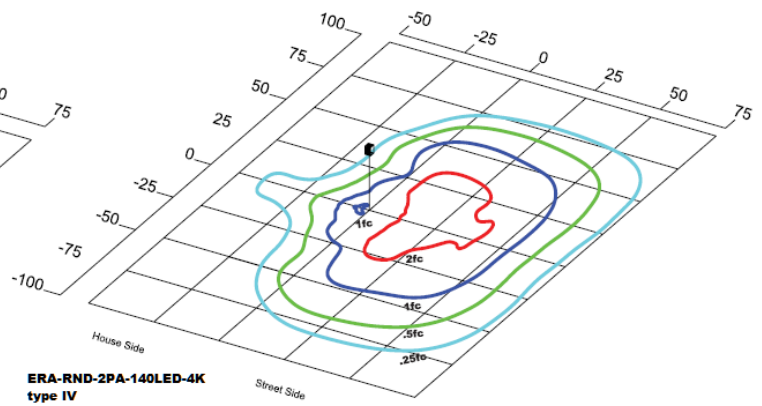
Project Name: _____



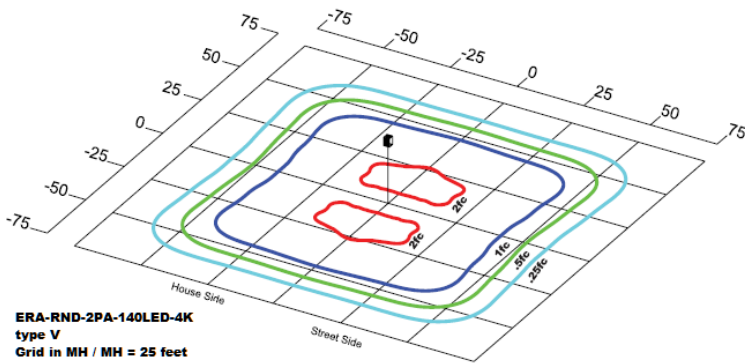
PHOTOMETRIC SPECIFICATIONS



ERA-RND-2PA-140LED-4K
type III
Grid in MH / MH=25 feet



ERA-RND-2PA-140LED-4K
type IV
Grid in MH / MH=25 feet



ERA-RND-2PA-140LED-4K
type V
Grid in MH / MH = 25 feet



content of specification sheet is subject to change.

N60 W14592 Kaul Avenue
Menomonee Falls, WI 53051

P 877 965 0005
intrigueled.com

Fixture Type: _____

Model Number: _____

Project Name: _____



SERIES SHAPE MOUNTING WATTAGE LED COLOR OPTICS LENS OPTIONS VOLTAGE FINISH
ERA - **RND** - _____ - _____ - _____ - _____ - **CPL** - _____ - **UNV** - _____

MODEL NUMBER DETAIL

SERIES	<input type="checkbox"/>	ERA-RND	Eradyn Architectural Round Open LED Pole Mount
MOUNTING	<input type="checkbox"/>	1PA	Single Arm Pole Mount
	<input type="checkbox"/>	2PA	Double Arm Pole Mount <i>(both accommodate 2-7/8"OD x 3" tenon)</i>
WATTAGE	<input type="checkbox"/>	25LED	25-watt LED Module
	<input type="checkbox"/>	37LED	37-watt LED Module
	<input type="checkbox"/>	65LED	65-watt LED Module
	<input type="checkbox"/>	100LED	100-watt LED Module
	<input type="checkbox"/>	140LED	140-watt LED Module
LED COLOR (K)	<input type="checkbox"/>	3K	3000K <i>(25-watt, 37-watt, & 65-watt versions)</i>
	<input type="checkbox"/>	4K	4000K
	<input type="checkbox"/>	5K	5000K
OPTICS	<input type="checkbox"/>	T1	Type I
	<input type="checkbox"/>	T2	Type II
	<input type="checkbox"/>	T3	Type III
	<input type="checkbox"/>	T4	Type IV
	<input type="checkbox"/>	T5	Type V
LENS	<input type="checkbox"/>	CPL	Clear Polycarbonate Array Lens
OPTIONS	<input type="checkbox"/>	SF	Single Fuse
	<input type="checkbox"/>	DF	Double Fuse
	<input type="checkbox"/>	SP	Surge Protection
	<input type="checkbox"/>	S2	Microwave Sensor with Dimming
	<input type="checkbox"/>	R3	3-Pin Twist Lock Photocell Receptacle
	<input type="checkbox"/>	R5	5-Pin Twist Lock Photocell Receptacle
	<input type="checkbox"/>	R7	7-Pin ANSI C136.41-2013 Twist Lock Photocell Receptacle
VOLTAGE	<input type="checkbox"/>	UNV	Universal Voltage (120v-277v) (50/60Hz); electronic dimmable driver
FINISH	<input type="checkbox"/>	BLK	Black
	<input type="checkbox"/>	CC	Custom Color - Consult Factory



content of specification sheet is subject to change.

N60 W14592 Kaul Avenue
Menomonee Falls, WI 53051

P 877 965 0005
intrigueled.com

Jul-21