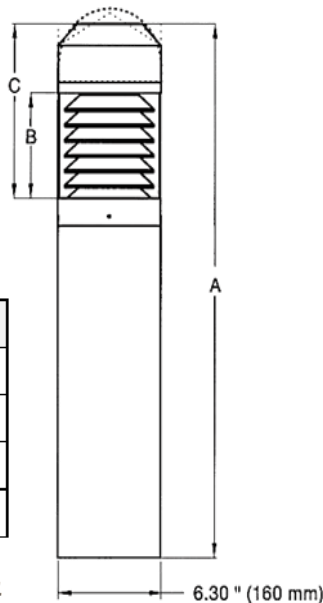


Fixture Type: _____
 Model Number: _____
 Project Name: _____



ESPIAL

Louvered Round (6") LED Bollard



Size	Top Style	A	B
6"	Beveled	46.1"	14.5"
	Flat	46.1"	14.5"
	Dome	45.4"	14.8"
	Cone	46.2"	14.9"

Note: standard 42" model dimensions.
 For 30" models, subtract 12" from dimension 'A'.

General: The high reflectance louvers within the Espial Bollard offer increased general area illuminance for security, pathway, and facility walkway lighting.

Housing: Low-copper content cast aluminum tops, lamp chamber, and base. Extruded aluminum bollard tube. Stainless steel exterior hardware.

Tops: Four (4) top styles available: beveled (-B), cone (-C), dome (-D), and flat (-F)

Louvers: Six (6) stacked internal louvers (5.56" diameter) with topside beadblast and underside acid etch. Louvers can be painted to match fixture and/or reduce indirect uplight. No louver (-NL) option also available.

Lens: Supplied with 6.3" OD, UV stabilized, medium-impact clear or opal (translucent) acrylic (50% DR) lens.

LED Module: 21.0 system watts provides 2,000 lumens (@1050mA). Aluminum housing with stainless front cover, stainless screws, 3mm glass optical cover, and black electrocoat heat sink.

Driver: Constant Current Driver, 120-277V, 50/60Hz; high efficiency, smooth, flicker-free dimming and dim to off capability. 0-10V dimmable - down to 1mA.

Finish: Textured polyester powder coat finish. Black, bronze, grey, white, silver, and verde green. Consult factory for custom finishes.

Gaskets: EPDM gaskets are standard.

Options: Recessed outlet box/cover (-GFI)
 PIR Motion Sensor (-PIR)
 Houseside Shield (-180HSS and -270HSS)

Mount: Mount bollard using the factory provided mounting template and 1/2" anchor bolt kit (4 bolts/hardware).

Dimensions: Standard outer diameter of 6.3" with overall height options of 42" and 30". Consult factory for custom heights.

Certifications: ANSI/UL 1598, 8750
 Operating temperature: -40°C to +50°C
 5-year warranty (see Terms & Conditions for details)

content of specification sheet is subject to change.



N60 W14592 Kaul Avenue
 Menomonee Falls, WI 53051

P 877 965 0005
 intrigueled.com

Jul-22

Fixture Type: _____
 Model Number: _____
 Project Name: _____



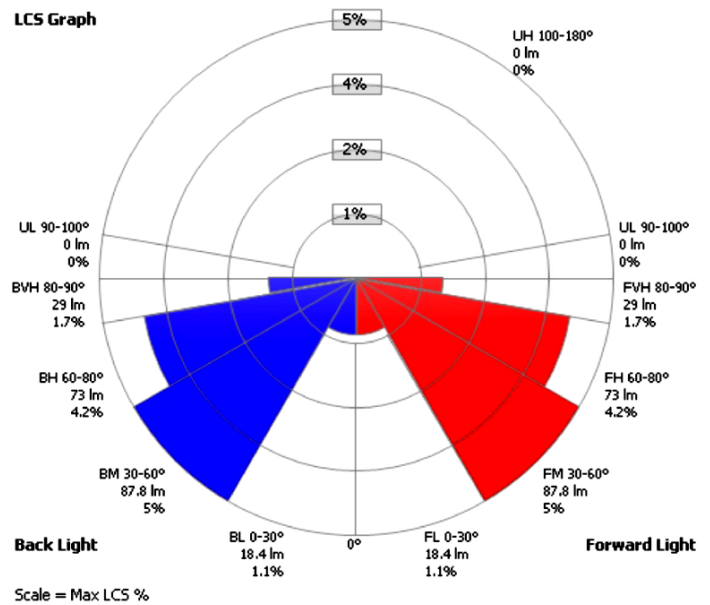
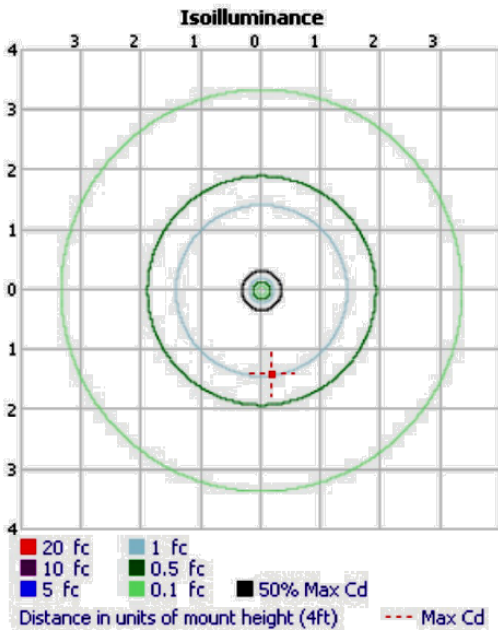
PHOTOMETRIC TECHNICAL DATA

Photometric Performance

Input Watts	Drive Current	Color Temperature	Optics	Lumens	LPW	CRI
15.0	700mA	3000K	louvered	1,401	93	70
		4000K		1,535	102	70
20.0	1050mA	3000K	louvered	2,006	100	70
		4000K		2,197	110	70
20.0	700mA	590nm (amber)	louvered	212	11	70

Zonal Lumen Summary

Zone	Lumens	% Lamp	% Luminaire
0-30	37.0	2.1%	8.6%
0-40	80.2	4.6%	18.6%
0-60	212.6	12.1%	49.2%
60-90	204.2	11.7%	47.3%
70-100	142.1	8.1%	32.9%
90-120	15.1	0.9%	3.5%
0-90	416.7	23.8%	96.5%
90-180	15.1	0.9%	3.5%
0-180	431.8	24.7%	100%



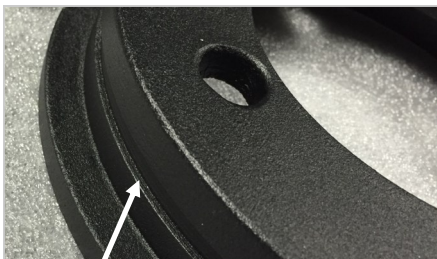
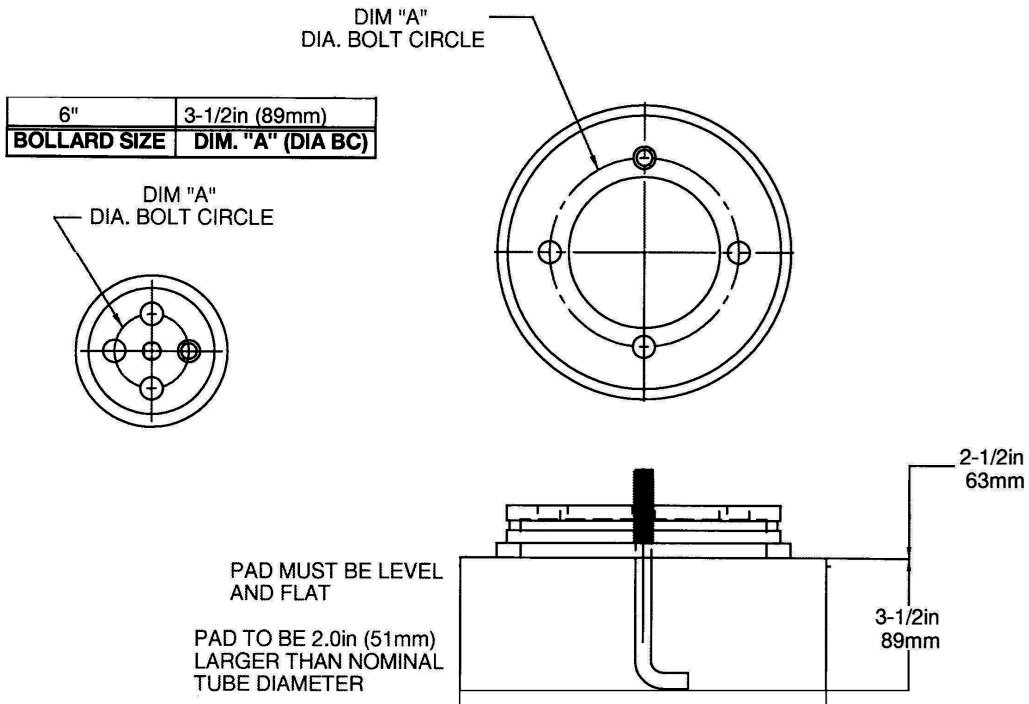
content of specification sheet is subject to change.

Fixture Type: _____
 Model Number: _____
 Project Name: _____



MOUNTING / INSTALLATION DETAIL

NOT TO SCALE ... DIMENSIONAL REFERENCE PURPOSES ONLY
Drill pattern represents standard hold pattern in mounting plate (supplied by Intrigue Lighting).
Hole size and orientation to be determined by installing contractor.
Concrete foundation to be designed (by others) according to local soil conditions.



extruded bollard tube slides over cast aluminum mounting base and secures to base with (4) set screws tightened into machined groove



MOUNTING BASE KIT

cast aluminum mounting base (1)

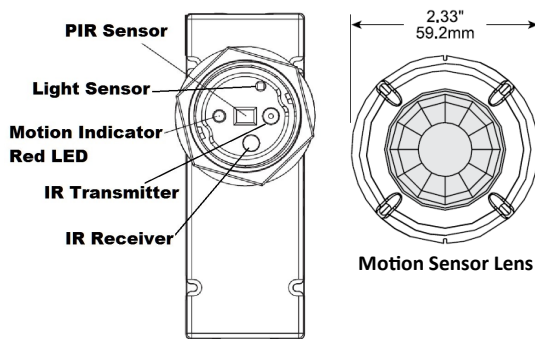
content of specification sheet is subject to change.

Fixture Type: _____
 Model Number: _____
 Project Name: _____



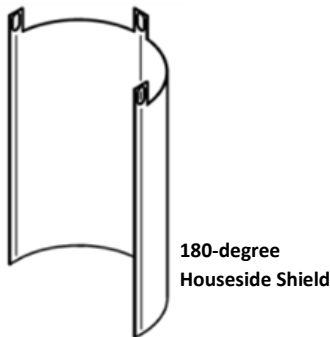
ACCESSORY / OPTION DETAIL

MOTION SENSOR (-MS)



PIR Motion Sensor (120v-277v only) option includes (1) passive infrared (PIR) sensor to detect motion. When motion is not detected for a 3-1/2 minute period, luminaire will automatically dim to 20% power and light. Once motion is detected, luminaire immediately ramps up to 100% power and light output until motion is not detected for another 3-1/2 minute period.

HOUSESIDE SHIELD (-HSS)



Asymmetric light distribution eliminates backlight in unwanted areas. Field adjustable shield constructed of sheet aluminum.

Available options: 180-degree houseside shield (-180HSS)
 270-degree houseside shield (-270HSS)

RECESSED RECEPTACLE BOX (-GFI)



Recessed receptacle outlet box mounted 16" on center from bottom of bollard tube. Cast aluminum outlet box internally welded and sealed with gasketed spring-loaded hinge cover. Cover shall be die cast metal construction with finish to match bollard.

Typical supplied cover will be lockable, single-gang weatherproof receptacle cover (Bell #MX1050S or similar); *rated for wet and damp locations when cover is closed*

content of specification sheet is subject to change.

N60 W14592 Kaul Avenue
 Menomonee Falls, WI 53051

P 877 965 0005
intrigueled.com

Jul-22

Fixture Type: _____
 Model Number: _____
 Project Name: _____



SERIES	DIAMETER	MOUNTING	WATTAGE	COLOR (K)	TOP STYLE	LENS	LOUVERS	OPTIONS	VOLTAGE	HEIGHT	FINISH
EP	6	B							UNV		

MODEL NUMBER DETAIL

SERIES	<input type="checkbox"/>	EP	Espial Louvered Round LED Bollard
DIAMETER	<input type="checkbox"/>	6	6.30" Outer Diameter
MOUNTING	<input type="checkbox"/>	B	Bollard Mount
WATTAGE	<input type="checkbox"/>	15LED	15-watt LED Module (@700mA)
	<input type="checkbox"/>	21LED	21-watt LED Module (@1050mA)
COLOR (K)	<input type="checkbox"/>	3K	3000K
	<input type="checkbox"/>	4K	4000K
	<input type="checkbox"/>	AML	Amber (590nm)
TOP STYLE	<input type="checkbox"/>	B	Beveled Top
	<input type="checkbox"/>	C	Cone Top
	<input type="checkbox"/>	D	Dome Top
	<input type="checkbox"/>	F	Flat Top
LENS	<input type="checkbox"/>	CA	Clear Acrylic Lens
	<input type="checkbox"/>	OA	Opal (Translucent) Acrylic Lens
LOUVERS	<input type="checkbox"/>	SPL	Silver Painted Louvers
	<input type="checkbox"/>	NL	No Louvers <i>(recommended for use with opal acrylic, -OA, lens)</i>
OPTIONS	<input type="checkbox"/>	GFI	Receptacle Box with Cover for GFCI Outlet <i>(outlet by others)</i>
	<input type="checkbox"/>	MS	PIR Motion Sensor (120v-277v only)
	<input type="checkbox"/>	180HSS	180° Houseside Shield
	<input type="checkbox"/>	270HSS	270° Houseside Shield
VOLTAGE	<input type="checkbox"/>	UNV	Universal Voltage (120v-277v) (50/60Hz); constant current dimmable driver
HEIGHT	<input type="checkbox"/>	30	30" Overall Height
	<input type="checkbox"/>	42	42" Overall Height
	<input type="checkbox"/>	CH	Custom Height - Consult Factory
FINISH	<input type="checkbox"/>	BLK	Black
	<input type="checkbox"/>	BRZ	Bronze
	<input type="checkbox"/>	GRY	Grey
	<input type="checkbox"/>	SIL	Silver
	<input type="checkbox"/>	VGN	Verde Green
	<input type="checkbox"/>	WHT	White
	<input type="checkbox"/>	CC	Custom Color - Consult Factory

content of specification sheet is subject to change.

N60 W14592 Kaul Avenue
 Menomonee Falls, WI 53051

P 877 965 0005
intrigueled.com

Jul-22