

Fixture Type: _____

Model Number: _____

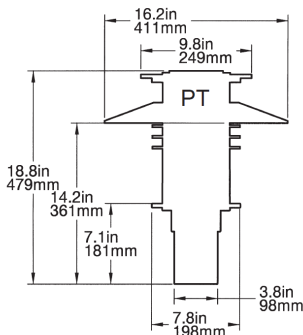
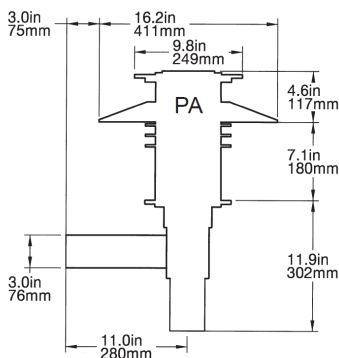
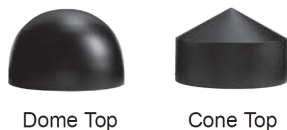
Project Name: _____



EUROTECH LED Pole Mount



ET-PT FIXTURE SHOWN MOUNTED ON
5" ROUND STRAIGHT ALUMINUM POLE



General: The high impact design of the Eurotech series provides a modern look within the environment and is perfect for general area illumination.

Construction: Cast, marine-grade, low-copper content aluminum top, housing, mounting bracket. Stainless steel external hardware to protect against corrosion.

Shade: Optional shades include: Spun Aluminum (SHD) (shown at left), Copper (SHDCU), 316 Stainless Steel (SHDSS), Aluminum Flat (SHDFLT). Spun aluminum shades shall have underside finished in white. No Shade (NS) option also available.

Lens: Clear Acrylic (CA)
Clear Glass (GL)
Opal Acrylic (OA)

LED Module: Power Consumption = 19.0 watts provides 2,000 lumens (@1050mA). Aluminum housing with stainless front cover, stainless screws, 3mm glass optical cover, and integrated heat sink.

Driver: Constant Current Driver, 120-277V, 50/60Hz; High efficiency, smooth, flicker-free dimming and dim to off capability.
0-10V Dimmable - dimmable down to 1mA

Top Covers: (6) top styles available:
Beveled, Cone, Dome, Flat, Flush, Finial Point

Mounting: (2) post top mounting styles: post top mount (PT) and straight arm mount (PA).

Poles: See Intrigue "Pole Specification Guide" for details.

Finish: Textured polyester powder coat (3mil) finish. Black, bronze, gray, white, silver, verde green finishes available.
For custom colors, please consult factory.

Gasket: Supplied with silicone o-ring gasketing

Weight:

Weight	PA	23 lbs
	PT	21 lbs
EPA	PA	0.62ft ²
	PT	0.40ft ²

Listings: ETL Listed 1598 for Wet Locations
Operating Temperature Range: -30°C to +60°C



content of specification sheet is subject to change.

N60 W14592 Kaul Avenue
Menomonee Falls, WI 53051

P 877 965 0005 Jun-20
intrigueled.com

Fixture Type: _____
 Model Number: _____
 Project Name: _____



TECHNICAL DETAIL

Photometric Performance

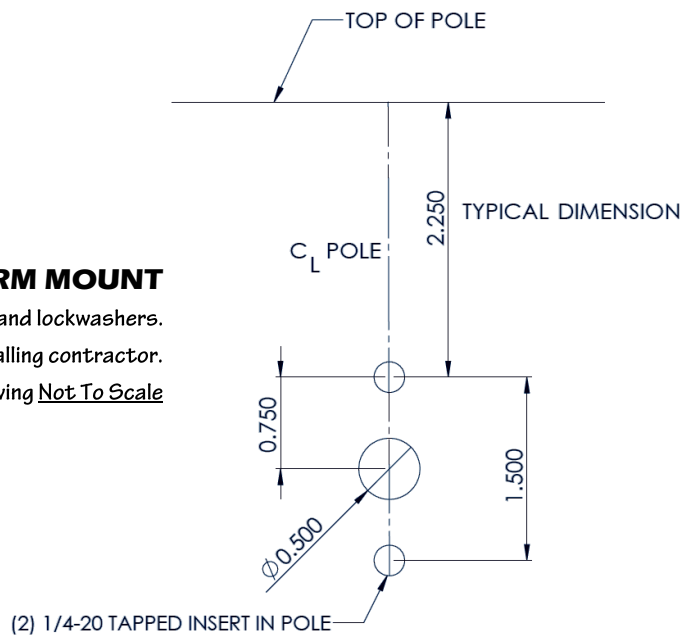
LED Board Watts	Drive Current (mA)	Input Watts	Optics	Lumens	LPW	CRI
LED Module (4000K)	1050mA	19w	Louvers	2,000	105	70

DRIVER SPECS

Input Voltage	Max Output Power	Output Voltage	Output Current	Efficiency @ Max Load	THD @ Max. Load	Power Factor @ Max. Load	Envir. Protection Rating
120-277VAC / VDC +/-10%	30W	3-57VDC	100-1400mA	> 88%	< 20%	> 0.95	IP21

DRILL PATTERN FOR STRAIGHT ARM MOUNT

Fixture shall be fastened to pole by using two (2) 1/4-20 screws and lockwashers.
 Hole size and orientation to be determined by installing contractor.
 Drawing Not To Scale



content of specification sheet is subject to change.

N60 W14592 Kaul Avenue
 Menomonee Falls, WI 53051

P 877 965 0005
 intrigueled.com

Fixture Type: _____

Model Number: _____

Project Name: _____



SERIES	MOUNTING	WATTAGE	CCT (kelvin)	TOP STYLE	LENS	SHADE	OPTIONS	VOLTAGE	FINISH
ET	-	19LED	-	-	-	-	-	UNV	-

MODEL NUMBER DETAIL

SERIES	<input type="checkbox"/>	ET	Eurotech LED Pole Mount
MOUNTING	<input type="checkbox"/>	PA	Straight Arm Side Pole Mount
	<input type="checkbox"/>	PT	Single Post Top Tenon (2-3/8") Mount
WATTAGE	<input type="checkbox"/>	19LED	19-watt LED Module 2,000 board lumens 1050mA driver
COLOR (K)	<input type="checkbox"/>	3K	3000K
	<input type="checkbox"/>	4K	4000K
TOP STYLE	<input type="checkbox"/>	B	Beveled Top
	<input type="checkbox"/>	C	Cone Top
	<input type="checkbox"/>	D	Dome Top
	<input type="checkbox"/>	F	Flat Top
	<input type="checkbox"/>	N	None (Flush Top)
	<input type="checkbox"/>	P	Pointed Finial Top
LENS	<input type="checkbox"/>	CA	Clear Acrylic Lens
	<input type="checkbox"/>	GL	Clear Glass Lens
	<input type="checkbox"/>	OA	Opal Acrylic Lens
SHADE	<input type="checkbox"/>	NS	No Shade
	<input type="checkbox"/>	SHD	Angled Spun Aluminum
	<input type="checkbox"/>	SHDCU	Angled Spun Copper
	<input type="checkbox"/>	SHDFLT	Flat Aluminum
	<input type="checkbox"/>	SHDSS	Angled Spun Stainless Steel
OPTIONS	<input type="checkbox"/>	HSS	180° House Side Shield external to lens
	<input type="checkbox"/>	NR	No Rings standard with triple rings
	<input type="checkbox"/>	TRH	Tamper Resistant Hardware
VOLTAGE	<input type="checkbox"/>	UNV	Universal Voltage (120v-277v) (50/60Hz); dimmable driver
FINISH	<input type="checkbox"/>	BLK	Black
	<input type="checkbox"/>	BRZ	Bronze
	<input type="checkbox"/>	GRY	Grey
	<input type="checkbox"/>	SIL	Silver
	<input type="checkbox"/>	VGN	Verde Green
	<input type="checkbox"/>	WHT	White
	<input type="checkbox"/>	CC	Custom Color consult factory



content of specification sheet is subject to change.

N60 W14592 Kaul Avenue
Menomonee Falls, WI 53051

P 877 965 0005
intrigueled.com

Jun-20