

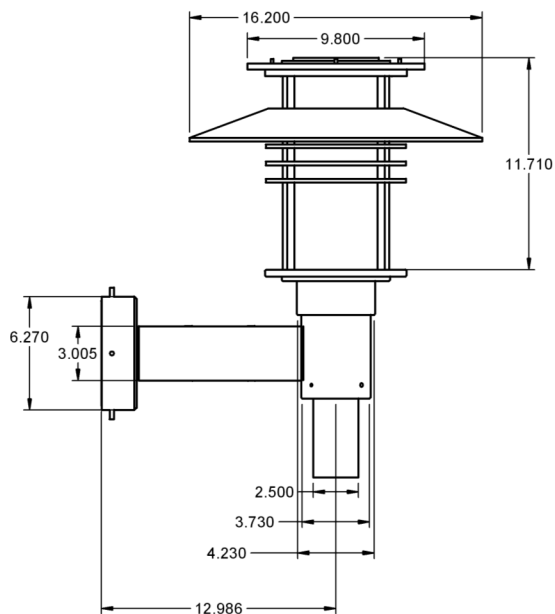
Fixture Type: _____

Model Number: _____

Project Name: _____



EUROTECH LED Wall Mount



General: The high impact design of the Eurotech series provides a modern look within the environment and is perfect for general area illumination.

Construction: Cast, low-copper content aluminum top, housing, and mounting bracket. Stainless steel external hardware to protect against corrosion.

Shade: Optional spun aluminum angled shade (SHD) (shown at left) available. Other angled shade options include copper (SHDCU) and 316 stainless steel (SHDSS). Aluminum Flat shade (SHDFLT) and No Shade (NS) options also available.

Lens: Clear Acrylic (CA)
Clear Glass (GL)
Opal Acrylic (OA)

LED Module: Power Consumption = 19.0 watts provides 2,000 lumens (@1050mA). Aluminum housing with stainless front cover, stainless screws, 3mm glass optical cover, and heat sink

Driver: Constant Current Driver, 120-277V, 50/60Hz; High efficiency, smooth, flicker-free dimming and dim to off capability.
0-10V Dimmable - dimmable down to 1mA

Top Covers: (6) top styles available:
Beveled, Cone, Dome, Flat, Flush, Finial Point

Mounting: (1) wall mount style: straight arm mount (-WA)

Finish: Textured polyester powder coat finish. Shade underside is standard with white finish. Black, bronze, gray, white, silver, and verde green available on housing exterior.
For custom colors, please consult factory.

Gasket: Supplied with silicone o-ring gasketing

Weight: WA = 24 lbs.

Listings: (PENDING) ETL Listed 1598 for Wet Locations
Operating Temperature Range: -30°C to +60°C



content of specification sheet is subject to change.

N60 W14592 Kaul Avenue
Menomonee Falls, WI 53051

P 877 965 0005
intrigueled.com

Sep-21

Fixture Type: _____
 Model Number: _____
 Project Name: _____



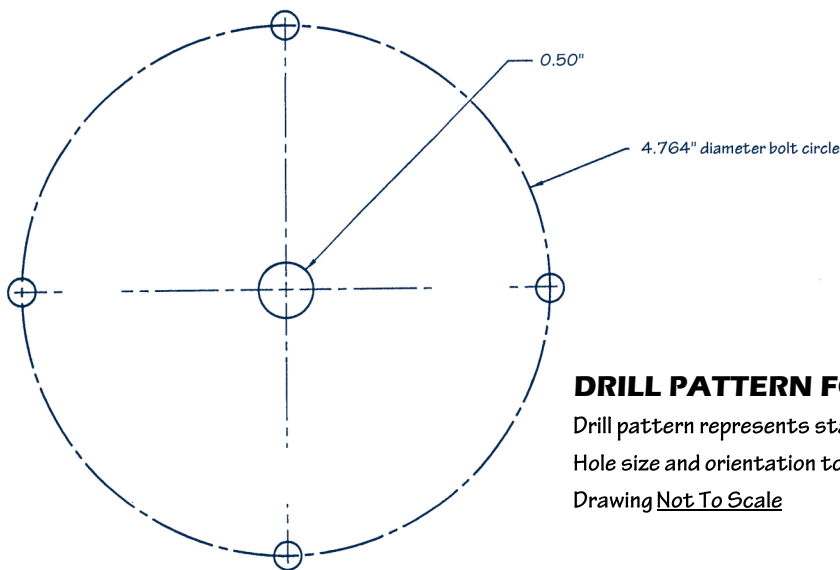
TECHNICAL DETAIL

Photometric Performance

LED Board Watts	Drive Current (mA)	Input Watts	Optics	Lumens	LPW	CRI
LED Module (4000K)	1050mA	19w	Louvers	2,000	105	70

DRIVER SPECS

Input Voltage	Max Output Power	Output Voltage	Output Current	Efficiency @ Max Load	THD @ Max. Load	Power Factor @ Max. Load	Envir. Protection Rating
120-277VAC / VDC +/-10%	30W	3-57VDC	100-1400mA	> 88%	< 20%	> 0.95	IP21



DRILL PATTERN FOR EUROTECH WALL MOUNT

Drill pattern represents standard hole pattern in mounting plate (supplied by Intrigue).
 Hole size and orientation to be determined by installing contractor.

Drawing Not To Scale



content of specification sheet is subject to change.

N60 W14592 Kaul Avenue
 Menomonee Falls, WI 53051

P 877 965 0005
intrigueled.com

Fixture Type: _____
 Model Number: _____
 Project Name: _____



SERIES MOUNTING WATTAGE CCT (kelvin) TOP STYLE LENS SHADE OPTIONS VOLTAGE FINISH
ET - WA - 19LED - - - - - UNV -

MODEL NUMBER DETAIL

- | | | |
|-----------|---|---|
| SERIES | <input type="checkbox"/> ET | Eurotech LED Wall Mount |
| MOUNTING | <input type="checkbox"/> WA | Straight Arm Wall Mount |
| WATTAGE | <input type="checkbox"/> 19LED | 19-watt LED Module 2,000 board lumens 1050mA driver |
| COLOR (K) | <input type="checkbox"/> 3K
<input type="checkbox"/> 4K | 3000K
4000K |
| TOP STYLE | <input type="checkbox"/> B
<input type="checkbox"/> C
<input type="checkbox"/> D
<input type="checkbox"/> F
<input type="checkbox"/> N
<input type="checkbox"/> P | Beveled Top
Cone Top
Dome Top
Flat Top
None (Flush Top)
Pointed Finial Top |
| LENS | <input type="checkbox"/> CA
<input type="checkbox"/> GL
<input type="checkbox"/> OA | Clear Acrylic Lens
Clear Glass Lens
Opal Acrylic Lens |
| SHADE | <input type="checkbox"/> NS
<input type="checkbox"/> SHD
<input type="checkbox"/> SHDCU
<input type="checkbox"/> SHDSS
<input type="checkbox"/> SHDFLT | No Shade
Angled Spun Aluminum
Angled Spun Copper
Angled Spun Stainless Steel
Flat Aluminum |
| OPTIONS | <input type="checkbox"/> NR
<input type="checkbox"/> TRH
<input type="checkbox"/> HSS | No Rings standard with triple rings
Tamper Resistant Hardware
180° House Side Shield external to lens |
| VOLTAGE | <input type="checkbox"/> UNV | Universal Voltage (120v-277v) (50/60Hz); dimmable driver |
| FINISH | <input type="checkbox"/> BLK
<input type="checkbox"/> BRZ
<input type="checkbox"/> GRY
<input type="checkbox"/> SIL
<input type="checkbox"/> VGN
<input type="checkbox"/> WHT
<input type="checkbox"/> CC | Black
Bronze
Grey
Silver
Verde Green
White
Custom Color consult factory |



content of specification sheet is subject to change.

N60 W14592 Kaul Avenue
 Menomonee Falls, WI 53051

P 877 965 0005
 Sep-21
intrigueled.com