

Fixture Type: _____
 Model Number: _____
 Project Name: _____



FERROS

Stainless Steel Round (7") LED Bollard



General: The Ferros stainless steel bollard, with two optical choices, is designed to replace an HID bollard up to 70 watts (MH or HPS). The Ferros bollard is ideal for retail centers, schools and universities, municipal buildings, public transit, airports, and other high traffic public spaces.

Exterior: 316-L stainless steel housing and dome top; flush mounting base; vandal-resistant hardware.

Wattage: 10 watt Array=10.0 watts / System=11.3 watts
 15 watt Array=14.5 watts / System=17.0 watts
 22 watt Array=22.0 watts / System=23.8 watts

Driver: Constant current; electronic driver, 120v-277v (50/60Hz) or 347v (50/60Hz) (15w only); <20% THD and PF>0.90. Standard internal surge protection 2kV. 0-10V dimming for a dim range of 100% down to 10%; dimming source current is 150 microamps.

Optics: Optics include cone reflectors or internal stacked louvers; Type III or Type V distributions.

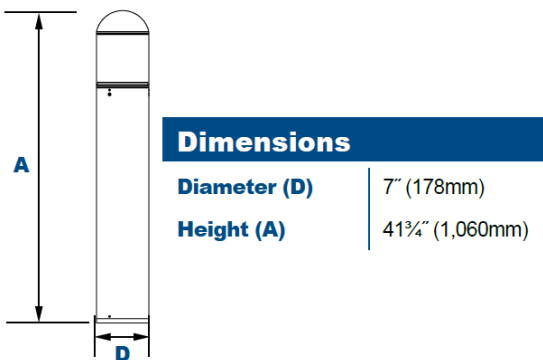
Lens: UV-stabilized polycarbonate vandal-resistant lens available in clear or opal/translucent.

Mounting: Kit includes (3) 8" zinc-plated anchor bolts.

Options: Recessed outlet box/cover (-GFI)
 Motion Sensor (-MS)
 Fusing (-SF) (-DF)
 Surge Protection (-SP)
 Houseside Shield (-180HSS)
 Battery Backup (-CWEM) (-EM)

Dimensions: Available overall height of 42".

Certifications:
 CSA: Listed for Wet Locations
 CSA: ANSI/UL 1598, 8750
 IP65 Sealed LED compartment
 Operating temperature: -40°C to +50°C
 5-year warranty (see Terms & Conditions for details)



IP 66



content of specification sheet is subject to change.

N60 W14592 Kaul Avenue
 Menomonee Falls, WI 53051

P 877 965 0005
 intrigueled.com

Aug-22

Fixture Type: _____

Model Number: _____

Project Name: _____



PHOTOMETRIC TECHNICAL DATA

Projected Lumen Maintenance

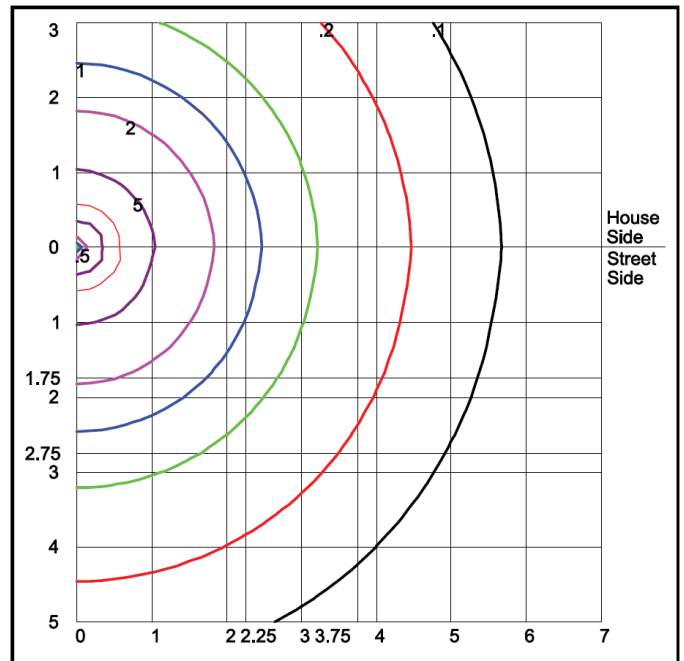
Data shown for 5000 CCT		Compare to MH				
TM-21-11	Input Watts	Initial	25,000 Hrs	50,000 Hrs	100,000 Hrs	Calculated LED Life
L70 Lumen Maintenance @ 25°C / 77°F	All wattages up to and including 24w	1.00	0.95	0.90	0.80	147,000
L70 Lumen Maintenance @ 50°C / 122°F		1.00	0.89	0.78	0.55	67,000
L80 Lumen Maintenance @ 40°C / 104°F		1.00	0.92	0.85	0.70	66,000

NOTES:

1. Projected per IESNA TM-21-11. Data references the extrapolated performance projections for the 116mA base model in a 25°C ambient, based on 10,000 hours of LED testing per IESNA LM-80-08.
2. Compare to MH box indicates suggested Light Loss Factor (LLF) to be used when comparing to Metal Halide (MH) systems.

Photometric Performance

Optic	CCT	Wattage Input Watts		
		10W 11.3W	15W 15.9W	20W 23.8W
		Delivered Lumens		
Cone Reflector Type III Optic	3000K	738	1,033	1,549
	4000K	800	1,120	1,680
	5000K	834	1,167	1,750
	BUG Rating	B0-U2-G1	B1-U3-G1	B1-U3-G1
Cone Reflector Type V Optic	3000K	1,031	1,444	2,165
	4000K	1,119	1,566	2,349
	5000K	1,165	1,631	2,447
	BUG Rating	B1-U3-G1	B1-U3-G1	B1-U3-G1
Louvers Type V Optic Only	3000K	521	730	1,094
	4000K	565	791	1,187
	5000K	589	824	1,236
	BUG Rating	B0-U2-G0	B1-U2-G1	B1-U3-G1



FR-7-B-22LED-5K-D-CNW-OP-TY5-UNV-42-SS

Type V

distance in units of mounting height
values based on 3' (36") mounting height

content of specification sheet is subject to change.

N60 W14592 Kaul Avenue
Menomonee Falls, WI 53051

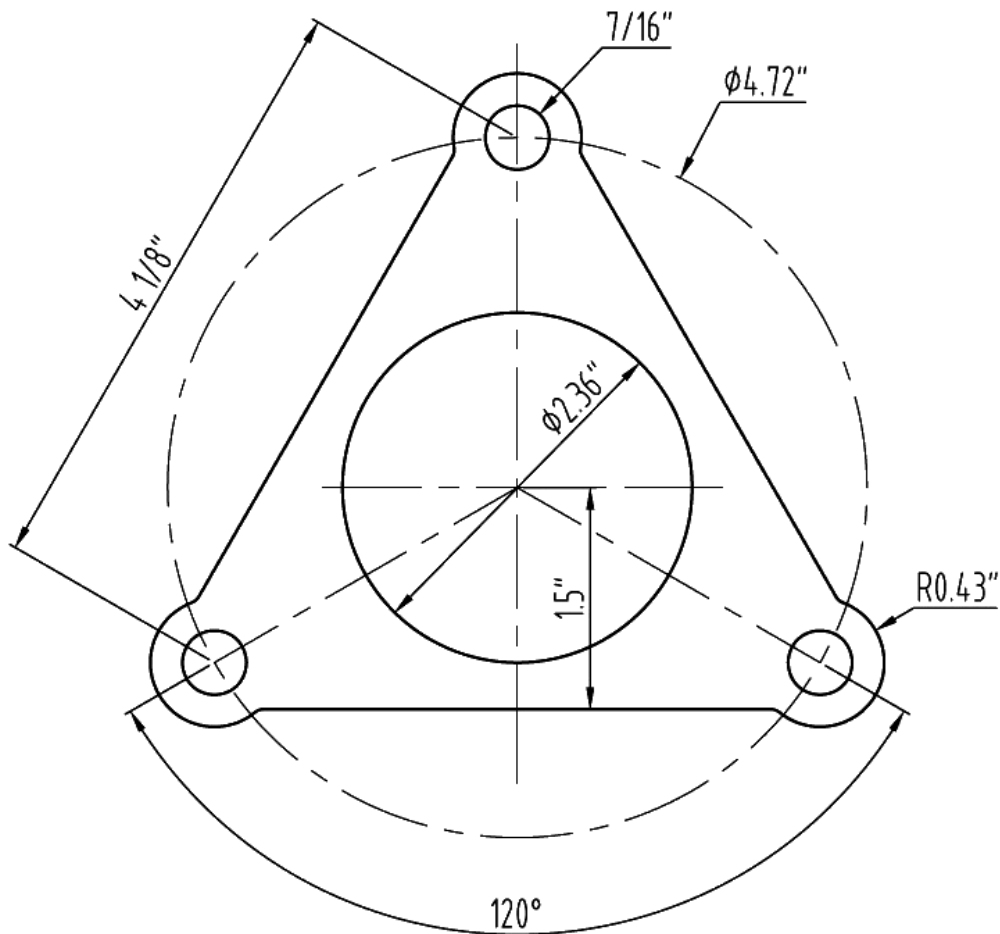
P 877 965 0005
intrigueled.com

Aug-22

Fixture Type: _____
Model Number: _____
Project Name: _____



MOUNTING / INSTALLATION DETAIL



content of specification sheet is subject to change.

N60 W14592 Kaul Avenue
Menomonee Falls, WI 53051

P 877 965 0005
intrigueled.com

Aug-22

Fixture Type: _____

Model Number: _____

Project Name: _____



SERIES	DIAMETER	MOUNTING	WATTAGE	COLOR (K)	TOP STYLE	REFLECTOR	LENS	DISTRIBUTION	OPTIONS	VOLTAGE	HEIGHT	FINISH
FR	7	B			D						42	SS

MODEL NUMBER DETAIL

SERIES	<input type="checkbox"/>	FR-7-B	Ferros Stainless Steel Round (7") LED Bollard
WATTAGE	<input type="checkbox"/>	10LED	10-watt LED Module
	<input type="checkbox"/>	15LED	15-watt LED Module
	<input type="checkbox"/>	22LED	22-watt LED Module
COLOR (K)	<input type="checkbox"/>	3K	3000K
	<input type="checkbox"/>	4K	4000K
	<input type="checkbox"/>	5K	5000K
TOP STYLE	<input type="checkbox"/>	D	Dome Top
INNER REFLECTOR	<input type="checkbox"/>	CNW	Cone Reflector ... white finish
	<input type="checkbox"/>	CNS	Cone Reflector ... specular finish
	<input type="checkbox"/>	LV	Louvered Reflector
LENS	<input type="checkbox"/>	CP	Clear Polycarbonate Lens
	<input type="checkbox"/>	OP	Opal Polycarbonate Lens <i>(Type V & white reflector finish only)</i>
DISTRIBUTION	<input type="checkbox"/>	TY3	Type III Distribution <i>(cone reflector only)</i>
	<input type="checkbox"/>	TY5	Type V Distribution
OPTIONS	<input type="checkbox"/>	SF	PIR Motion Sensor <i>(120v-277v only)</i>
	<input type="checkbox"/>	DF	PIR Motion Sensor <i>(120v-277v only)</i>
	<input type="checkbox"/>	SP	Surge Protection
	<input type="checkbox"/>	GFI	Receptacle Box with Cover for GFCI Outlet <i>(outlet by others)</i>
	<input type="checkbox"/>	MS	Microwave Motion Sensor with Dimming <i>(120v-277v only)</i>
	<input type="checkbox"/>	180HSS	180° Houseside Shield <i>(black, bronze, custom color finish)</i>
	<input type="checkbox"/>	CWEM	Cold Start Battery Backup <i>(-20°C, 90 minutes)</i>
<input type="checkbox"/>	EM	Battery Backup <i>(90 minutes)</i>	
VOLTAGE	<input type="checkbox"/>	UNV	Universal Voltage (120v-277v) (50/60Hz); constant current dimmable driver
	<input type="checkbox"/>	347V	347v (50/60Hz); constant current dimmable driver <i>(15-watt models only)</i>
HEIGHT	<input type="checkbox"/>	42	42" Overall Height
FINISH	<input type="checkbox"/>	SS	Stainless Steel (316-L)

content of specification sheet is subject to change.

N60 W14592 Kaul Avenue
Menomonee Falls, WI 53051

P 877 965 0005
intrigueled.com

Aug-22