

Fixture Type: _____
 Model Number: _____
 Project Name: _____

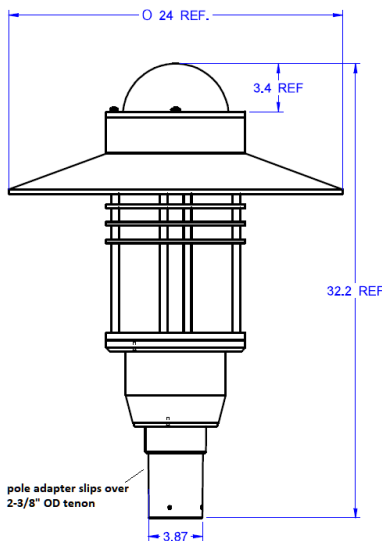


EUROTECH FULL CUTOFF

Full Cutoff Pole Mount



Shown with standard triple rings, dome top, and spun aluminum shade; mounted on a 4" diameter pole. Mounting hub fits over 2-3/8" OD tenon.



General: The **Dark Sky Approved** Full Cutoff Eurotech is a fully shielded full-cutoff fixture. The LED module is positioned in the upper housing above the shade providing full cutoff per IESNA and IDA standards.

Dark Sky: Certified by the International Dark Sky Association as fixture (<3000K) that minimizes glare, reduces light trespass, and does not pollute the night sky.

Exterior: Top casting, housing, and mounting gear constructed of sand cast, low-copper content, marine-grade aluminum. Stainless steel external hardware to protect against corrosion. Triple rings standard; No Ring (-NR) option available.

Shade: Shall be 1/4" thick spun aluminum with a white painted underside and specified topside finish. Shade shall have beaded edge for added strength. Optional materials available - consult factory.

Wattage: (2) LED module options:
 Array: 55 watts System: 41.9 watts
 Array: 70 watts System: 56.3 watts

Driver: Constant current; maximum wattage 60 watts; THD<20%; PF>0.90; efficiency 86%; universal input voltage 120v-277v (50/60Hz); 0-10V dimming for dimming range of 100% down to 10%

Lens: Clear, UV-resistant, polycarbonate lens

Heat Sink: Finned aluminum heat sink with black electrocoating secured to LED module.

Finish: Textured polyester powder coat finish. Black, bronze, grey, white, silver, and verde green. For custom colors - please consult factory.

Gaskets: EPDM gaskets are standard.

Mount: Pole mounting adapter fits over a standard 2-3/8" tenon and is secured in place with (4) 1/4-20 set screws to prevent fixture rotation.

Options: No Decorative Rings (-NR)
 Tamper Resistant Hardware (-TRH)
 180-degree Houseside Shield (-180HSS)

Certifications:
 ETL listed to UL 1598 for Wet Locations
 Indoor/Outdoor listed for use in Canada
 Operating temperature: -40°C to +90°C

content of specification sheet is subject to change.



N60 W14592 Kaul Avenue
 Menomonee Falls, WI 53051

P 877 965 0005
intrigueled.com

Aug-21

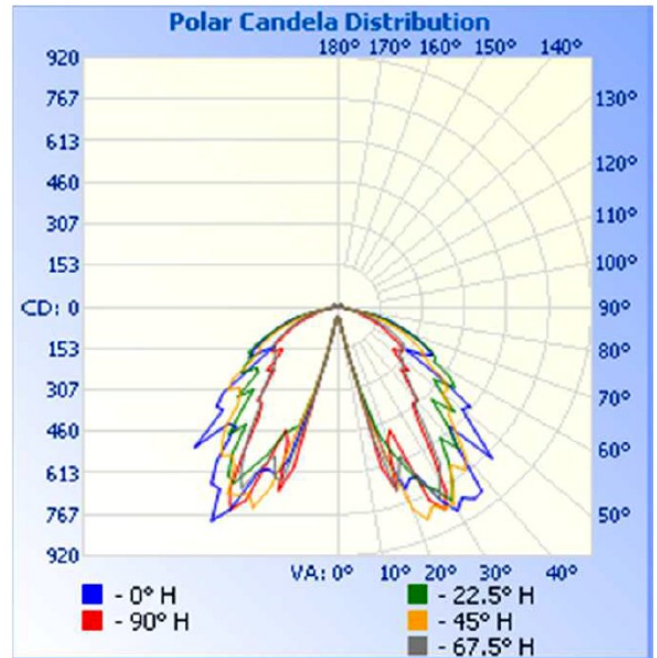
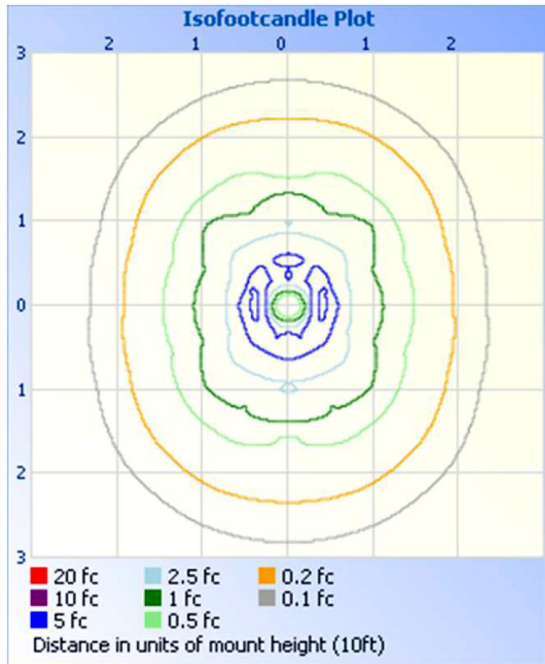
Fixture Type: _____
 Model Number: _____
 Project Name: _____



PHOTOMETRIC TECHNICAL DATA

Photometric Performance

Input Watts	Drive Current	Color Temperature	Optics	Lumens	LPW
41.9	1050mA	3000K	clear lens	5,024	120
		4000K		5,799	138
56.3	1400mA	3000K	clear lens	6,391	114
		4000K		7,376	131



content of specification sheet is subject to change.

N60 W14592 Kaul Avenue
 Menomonee Falls, WI 53051

P 877 965 0005
 intrigueled.com

Aug-21

Fixture Type: _____
 Model Number: _____
 Project Name: _____



SERIES MOUNTING WATTAGE COLOR (K) TOP STYLE DISTRIBUTION OPTIONS VOLTAGE FINISH

MODEL NUMBER DETAIL

SERIES **LEF** Eurotech Full Cutoff Pole Mount

MOUNTING **PT** Post Top Mount onto 2-3/8" round tenon

WATTAGE **55LED** 55-watt LED Module (@1050mA)
 70LED 70-watt LED Module (@1400mA)

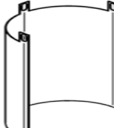
COLOR (K) **3K** 3000K
 4K 4000K

Eurotech Full Cutoff pole mount is IDA Dark Sky Approved when utilized with 3000K LED module

TOP STYLE **D** Dome Top
 F Flat Top

DISTRIBUTION **TY5** Type V Distribution

OPTIONS **NR** No Rings
 TRH Tamper Resistant Hardware
 180HSS 180° Houseside Shield
 SHDCO Spun Shade - Copper
 SHDSS Spun Shade - Stainless Steel



180-degree houseside shield (-180HSS)
Asymmetric light distribution eliminates backlight in unwanted areas. Constructed of sheet aluminum and powder coated.

VOLTAGE **UNV** Universal Voltage (120v-277v) (50/60Hz); constant current; dimmable driver

FINISH **BLK** Black
 BRZ Bronze
 GRY Grey
 SIL Silver
 VGN Verde Green
 WHT White
 CC Custom Color - Consult Factory

content of specification sheet is subject to change.



N60 W14592 Kaul Avenue
 Menomonee Falls, WI 53051

P 877 965 0005
intrigueled.com

Aug-21