

Fixture Type: _____

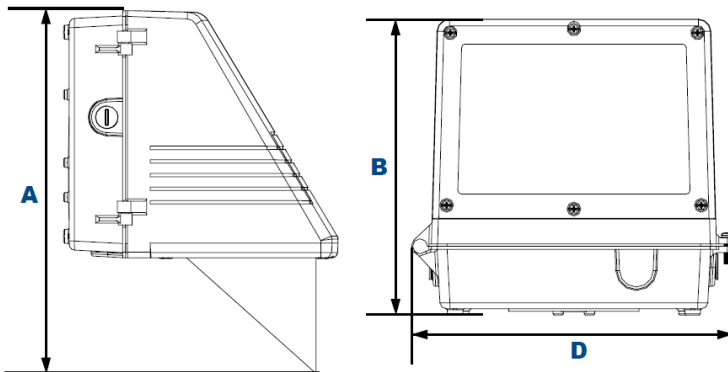
Model Number: _____

Project Name: _____



HAWKSBILL MINI

Full Cutoff Amber LED Surface Mini Wall Mount



Dimensions

| | |
|------------|--------------|
| Width (D) | 8¾" (222mm) |
| Length (B) | 9½" (241mm) |
| Height (A) | 12½" (320mm) |

General: The Hawkbill Mini amber LED full cutoff wall mount luminaire is available with a shielded IES Type V distribution, and is certified by the Florida Fish & Wildlife Conservation Commission (FWC) for wildlife applications that are directly visible from the shore requiring monochromatic AMBER light. LEDs operate between 585nm-595nm, greater than 560nm required by FWC. Typical applications include hotels, parks, schools, office buildings, and medical centers. Mounting heights of up to 12 feet can be used based on light level and uniformity requirements.

Housing: Die cast hinged and gasketed aluminum front frame and housing with ½" coin plugs. Nickel plated stainless steel hardware. Includes full baffle required to maintain FWC certifications. Photocell adaptable.

Finish: Textured architectural bronze powder coat finish over a chromate conversion coating. For custom colors, please consult factory.

Lens: Tempered clear flat glass (-CGL) lens.

Mounting: Cast-in template for mounting directly over a 4" recessed outlet box, or use ½" surface conduit.

Wattage: Array: 22.0 watts System: 24.8 watts

Driver: Electronic Driver, 120-277V, 50/60Hz; Dimmable

Certifications: CSA listed for wet locations
Operating temperature: -40°C to +40°C
IP55
Florida Fish & Wildlife # 2018-001



certification # 2018-001



IP 55



content of specification sheet is subject to change.

N60 W14592 Kaul Avenue
Menomonee Falls, WI 53051

P 877 965 0005
intrigueled.com

Fixture Type: _____
 Model Number: _____
 Project Name: _____



SERIES MOUNTING WATTAGE LED COLOR LENS OPTIONS VOLTAGE FINISH
HB - WM - 22LED - AML - CGL - UNV -

MODEL NUMBER DETAIL

- SERIES** **HB** Hawksbill Mini Full Cutoff Amber LED Wall Mount with Baffle
- MOUNTING** **WM** Wall Mount
- WATTAGE** **22LED** 22-watt Amber LED Module
- COLOR (K)** **AML** Amber (585nm-595nm)
- LENS** **CGL** Tempered Flat Clear Glass Lens
- OPTIONS**
 - EM** Emergency Battery Backup (90 minutes)
 - SF** Single Fuse
 - DF** Double Fuse
 - SP** Surge Protection
 - P1** Photocell (120v)
 - P2** Photocell (277v)
- VOLTAGE** **UNV** Universal Voltage (120v-277v) (50/60Hz); electronic dimmable driver
- FINISH**
 - BRZ** Bronze
 - CC** Custom Color - Consult Factory

Photometric Performance

| LED Board Watts | Drive Current (mA) | Input Watts | Optics | Amber LEDs | |
|-----------------|--------------------|-------------|--------|------------|-----|
| | | | | Lumens | LPW |
| AmberLED 22w | 525 | 25 | Type V | 794 | 32 |

Projected Lumen Maintenance

| Data shown for Amber LEDs | | | Compare to MH | | | |
|--------------------------------------|-------------|---------|---------------|------------|-------------|----------------------|
| TM-21-11 | Input Watts | Initial | 25,000 Hrs | 50,000 Hrs | 100,000 Hrs | Calculated L70@ 25°C |
| L70 Lumen Maintenance @ 25°C / 77°F | 25 | 1.00 | 0.96 | 0.92 | 0.85 | 196,000 |
| TM-21-11 | Input Watts | Initial | 25,000 Hrs | 50,000 Hrs | 100,000 Hrs | Calculated L70@ 50°C |
| L70 Lumen Maintenance @ 50°C / 122°F | 25 | 1.00 | 0.93 | 0.86 | 0.73 | 110,000 |
| TM-21-11 | Input Watts | Initial | 25,000 Hrs | 50,000 Hrs | 100,000 Hrs | Calculated L80@ 40°C |
| L80 Lumen Maintenance @ 40°C / 104°F | 25 | 1.00 | 0.94 | 0.88 | 0.76 | 84,000 |

NOTES:
 1. Projected per IESNA TM-21-11. Data references the extrapolated performance projections for the 525mA base model in a 25°C ambient, based on 10,000 hours of LED testing per IESNA LM-80-08.
 2. Compare to MH box indicates suggested Light Loss Factor (LLF) to be used when comparing to Metal Halide (MH) systems.



IP 55



content of specification sheet is subject to change.

N60 W14592 Kaul Avenue
 Menomonee Falls, WI 53051

P 877 965 0005
intrigueled.com

Oct-18