

Fixture Type: _____

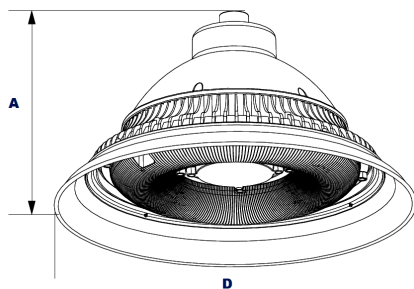
Model Number: _____

Project Name: _____



NOLA

Decorative Bell LED Wall Mount



Dimensions

Diameter (D)	19½" (495mm)
Height (A)	11" (279mm)

General: The Nola Bell Pendant is available in Type III or V distributions with two lens options designed to replace HID lighting systems up to 250-watts. The fixture mounts to a wall mount single arm. Typical area lighting applications include parking areas, walkways, and pedestrian public spaces.

Housing: Die cast aluminum housing with spun aluminum shade. Integral heat sink and driver compartment. Nickel-plated stainless steel hardware. Optional twist-lock receptacle and photocells are factory installed on arm bracket.

Finish: Textured architectural black powder coat finish over a chromate conversion coating. For custom colors, please consult factory.

Lens: Clear (-CPL) or Opal Prismatic (-OPL) lens options.

Mounting: Single Wall Mount Arm; mounts directly to wall; includes mounting hardware

Wattage: Array: 37.0 watts System: 39.0 watts
Array: 65.1 watts System: 68.0 watts
Array: 84.0 watts System: 86.0 watts

Driver: Electronic Driver, 120-277V, 50/60Hz; <20% THD and PF >0.90. Standard internal surge protection 6kV. 0-10V dimming standard for a dimming range of 100% down to 10%.

Certifications: CSA listed for wet locations
ANSI/UL 1598, 8750
IP66 Sealed LED Compartment
Operating temperature: -40°C to +50°C



content of specification sheet is subject to change.

N60 W14592 Kaul Avenue
Menomonee Falls, WI 53051

P 877 965 0005
intrigueled.com

Fixture Type: _____
 Model Number: _____
 Project Name: _____



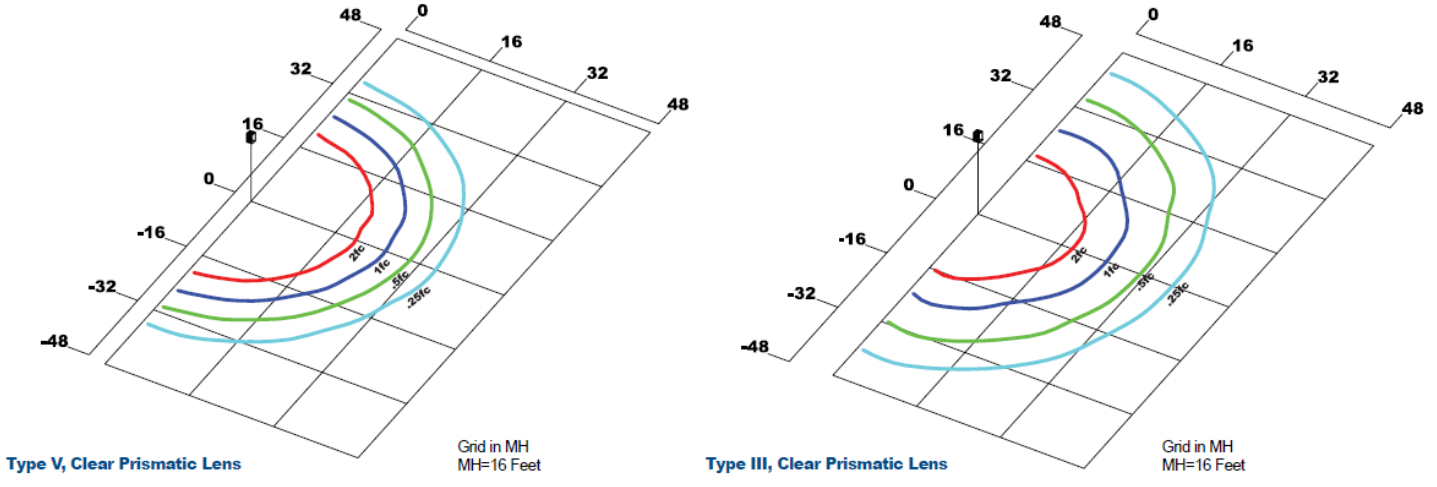
PHOTOMETRIC PERFORMANCE

LED Board Watts	Drive Current (mA)	Input Watts	Optics	5000 CCT 80 CRI					4000 CCT 80 CRI				
				Lumens	LPW	B	U	G	Lumens	LPW	B	U	G
EasyLED 37w	525	39	Type III (Clear Prismatic Array Lens)	3,228	83	1	0	1	3,107	80	1	0	1
EasyLED 65w		68	Type III (Clear Prismatic Array Lens)	5,671	83	2	0	2	5,458	80	2	0	2
EasyLED 84w		86	Type III (Clear Prismatic Array Lens)	7,067	82	2	0	2	6,802	79	2	0	2
			Type V (Clear Prismatic Array Lens)	9,614	112	3	3	0	8,965	104	3	3	0
			Type V (LumaLens Array Lens)	8,220	96	3	3	0	7,665	89	3	3	0

Projected Lumen Maintenance						
Data shown for 5000 CCT			Compare to MH			
TM-21-11	Input Watts	Initial	25,000 Hrs	50,000 Hrs	100,000 Hrs	Calculated L70@ 25°C
L70 Lumen Maintenance @ 25°C / 77°F	86	1.00	0.98	0.97	0.94	473,000
TM-21-11	Input Watts	Initial	25,000 Hrs	50,000 Hrs	100,000 Hrs	Calculated L70@ 50°C
L70 Lumen Maintenance @ 50°C / 122°F	86	1.00	0.97	0.95	0.90	290,000
TM-21-11	Input Watts	Initial	25,000 Hrs	50,000 Hrs	100,000 Hrs	Calculated L80@ 40°C
L80 Lumen Maintenance @ 40°C / 104°F	86	1.00	0.98	0.95	0.91	220,000

NOTES:
 1. Projected per IESNA TM-21-11. Data references the extrapolated performance projections for the 525mA base model in a 25°C ambient, based on 10,000 hours of LED testing per IESNA LM-80-08.
 2. Compare to MH box indicates suggested Light Loss Factor (LLF) to be used when comparing to Metal Halide (MH) systems.

Photometric Data



EPA (Effective Projected Area)		
Configuration	EPA (Sq. Ft.)	Weight (Lbs.)
1	0.64	22 Lbs



content of specification sheet is subject to change.

N60 W14592 Kaul Avenue P 877 965 0005
 Menomonee Falls, WI 53051 intrigueled.com

Fixture Type: _____

Model Number: _____

Project Name: _____



SERIES	MOUNTING	OPTICS	WATTAGE	COLOR (K)	LENS	OPTIONS	VOLTAGE	FINISH
NOL	WA							

MODEL NUMBER DETAIL

- | | | |
|------------------|---------------------------------------|---|
| SERIES | <input type="checkbox"/> NOL | Nola Decorative Bell Single LED Pole Mount |
| MOUNTING | <input type="checkbox"/> WA | Single Wall Mount Arm; mounts directly to wall |
| OPTICS | <input type="checkbox"/> T3 | Type III distribution |
| | <input type="checkbox"/> T5 | Type V distribution |
| WATTAGE | <input type="checkbox"/> 37LED | 37-watt LED Module |
| | <input type="checkbox"/> 65LED | 65-watt LED Module |
| | <input type="checkbox"/> 84LED | 84-watt LED Module |
| COLOR (K) | <input type="checkbox"/> 3K | 3000K <i>(84-watt Type V only)</i> |
| | <input type="checkbox"/> 4K | 4000K |
| | <input type="checkbox"/> 5K | 5000K |
| LENS | <input type="checkbox"/> CPL | Clear Prismatic Array Lens |
| | <input type="checkbox"/> OPL | Opal Array Lens |
| OPTIONS | <input type="checkbox"/> SF | Single Fuse <i>(120v-277v only)</i> |
| | <input type="checkbox"/> DF | Double Fuse <i>(120v-277v only)</i> |
| | <input type="checkbox"/> SP | Surge Protection |
| | <input type="checkbox"/> S2 | Microwave Sensor with Dimming <i>(120v-277v only)</i> |
| VOLTAGE | <input type="checkbox"/> UNV | Universal Voltage (120v-277v) (50/60Hz); electronic dimmable driver |
| | <input type="checkbox"/> 347 | 347 volt (50/60Hz); electronic dimmable driver |
| FINISH | <input type="checkbox"/> BLK | Black |
| | <input type="checkbox"/> CC | Custom Color - Consult Factory |



content of specification sheet is subject to change.

N60 W14592 Kaul Avenue
Menomonee Falls, WI 53051

P 877 965 0005
intrigueled.com

Nov-19