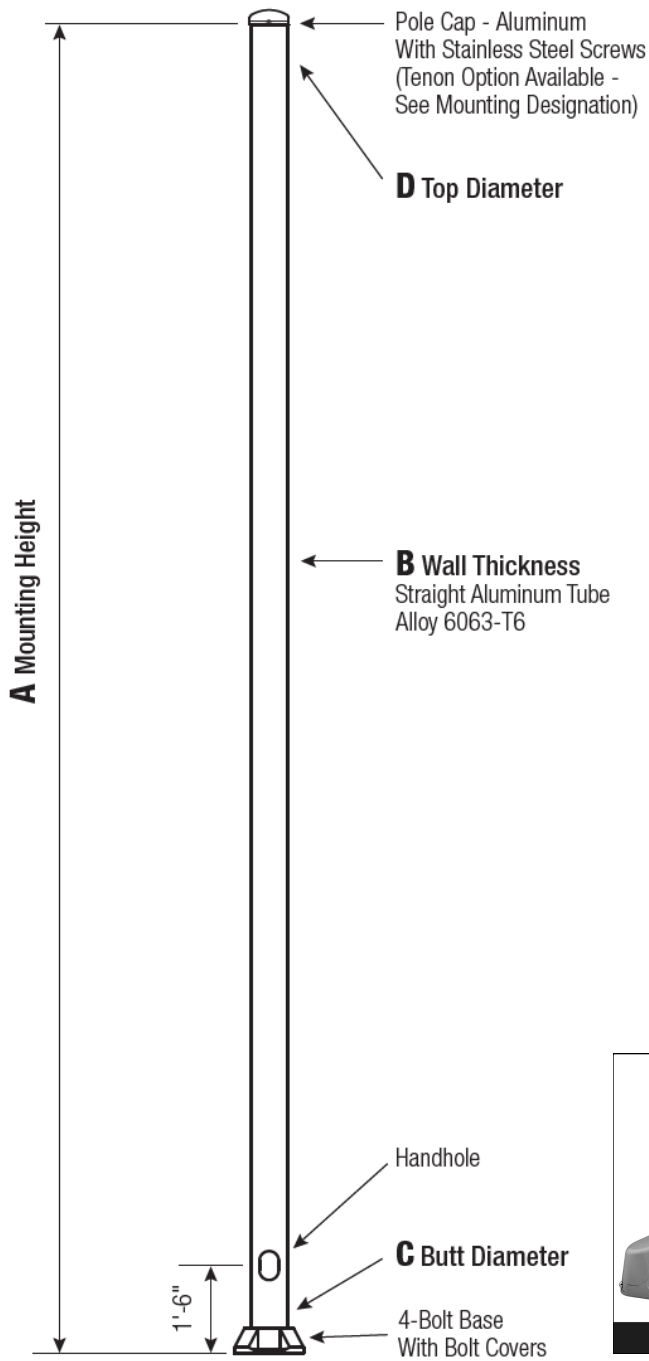


Fixture Type: \_\_\_\_\_  
 Model Number: \_\_\_\_\_  
 Project Name: \_\_\_\_\_



# PA1 SERIES

## Round Straight Aluminum Pole



**General:** The RSA pole shaft will be constructed of seamless extruded tube of 6063 Aluminum Alloy per the requirements of ASTM B221. The shaft assembly shall be full-length heat treated after base weld to produce a T6 temper.

**Base Style:** Four (4) Bolt Cast Aluminum Base Flange of Alloy 356-T6 with Aluminum Bolt Covers (Alloy 356-F) and Stainless Steel Hex Head Attaching Screws.

**Handholes:** 4"-5" Butt Diameters: 2"x4" Handhole with curved Lap Style Aluminum Door and two (2) SS Self-Tapping Attaching Screws. A Grounding Provision incorporating a tapped 1/4"-20NC hole is provided opposite the Handhole.

6" Butt Diameters: Reinforced, 3"x5" curved Cast Aluminum Frame (Alloy 356-T6) with Aluminum Door and two (2) SS Hex Head Screws. Grounding provision incorporating a 3/8" diameter hole is provided opposite the Handhole.

**Anchorage:** Anchorage Kit will include four (4) L-shaped Steel Anchor Bolts conforming to AASHTO M314-90 Grade 55. Ten inches (10") of threaded end will be galvanized per ASTM A153. Kits will contain four (4) Hex Nuts, four (4) Lock Washers, and four (4) Flat Washers (all components Galvanized Steel). A bolt circle template will be provided.

**Vibration:** When deemed necessary by Intrigue, a vibration damper will be factory-installed inside pole shaft. Customer specification of damper is available.

**Mounting:** Side Drill Mount: For Side Drill Mount applications, specify luminaire type, quantity, and orientation. Supply drilling template at time of order.

Tenon Mount: For Tenon Mount applications, specify both Tenon diameter and length.

*content of specification sheet is subject to change.*



N60 W14592 Kaul Avenue  
 Menomonee Falls, WI 53051

P 877 965 0005  
[intrigueled.com](http://intrigueled.com)

Fixture Type: \_\_\_\_\_

Model Number: \_\_\_\_\_

Project Name: \_\_\_\_\_



## MODEL NUMBER DETAIL

C/D	MODEL	A	B	F	G	H	I	LUMINAIRE	MAXIMUM EPA						
									POLE	WALL	BC	BASE	BOLT	ANCHOR	WEIGHT
DIAMETER	NUMBER	HEIGHT	THICKNESS	DIAMETER	SQUARE	PROJECTION	BOLT SIZE								
4"	PA1-S-08-T-4	8'	0.125"	6-1/2"-8"	7-1/2"	2"	3/4"x 17" x 3"	100 #	11.4	9.0	8.3	6.8	5.6		
	PA1-S-10-T-4	10'							8.1	6.2	5.7	4.6	3.7		
	PA1-S-12-T-4	12'						40 #	6.0	4.4	4.0	3.1	2.3		
	PA1-S-14-T-4	14'							4.4	3.1	2.7	1.9	1.3		
	PA1-S-16-T-4	16'							3.1	2.0	1.7	1.0	-		
5"	PA1-S-10-T-5	10'	0.125"	7-1/2"-8"	7-1/2"	2"	3/4" x 17" x 3"	100 #	15.8	12.4	11.6	9.6	8.2		
	PA-1-S-12-T-5	12'	0.125"						12.0	9.4	8.6	7.2	6.0		
	PA1-S-12-L-5		0.156"						15.4	12.0	11.2	9.2	7.8		
	PA1-S-12-M-5		0.188"						18.6	14.6	13.6	11.2	9.5		
	PA1-S-14-T-5	14'	0.125"						9.2	7.0	6.4	5.2	4.4		
	PA1-S-14-L-5		0.156"						12.0	9.2	8.6	7.0	5.8		
	PA1-S-14-M-5		0.188"						14.8	11.4	10.6	8.8	7.4		
	PA1-S-16-T-5	16'	0.125"						7.1	5.1	4.7	3.8	3.1		
	PA1-S-16-L-5		0.156"						9.4	7.0	6.5	5.3	4.4		
	PA1-S-16-M-5		0.188"						11.8	9.0	8.2	6.8	5.6		
	PA1-S-18-T-5	18'	0.125"					60 #	5.4	3.6	3.3	2.6	2.0		
	PA1-S-18-L-5		0.156"						100 #	7.2	5.2	4.8	3.8	3.1	
	PA1-S-18-M-5		0.188"							19.6	15.6	14.6	12.0	10.0	
	PA1-S-20-T-5	20'	0.125"					40 #	3.8	2.3	2.1	1.5	1.1		
	PA1-S-20-L-5		0.156"						60 #	5.6	3.7	3.4	2.6	2.1	
PA1-S-20-M-5	0.188"		7.2	5.0	4.6	3.7	3.0								
6"	PA1-S-16-L-6	16'	0.156"	9"-10"	9-3/4"	2-3/4"	3/4" x 30" x 3"	100 #	19.2	15.4	14.4	11.8	10.0		
	PA1-S-16-M-6		0.188"						23.8	19.0	17.6	14.6	12.4		
	PA1-S-18-M-6	18'	0.188"						19.6	15.6	14.6	12.0	10.0		
	PA1-S-20-T-6	20'	0.125"						9.4	7.4	6.8	5.6	4.6		
	PA1-S-20-L-6		0.156"						12.8	10.2	9.4	7.6	6.4		
	PA1-S-20-M-6		0.188"						16.2	12.8	12.0	9.8	8.2		



content of specification sheet is subject to change.

N60 W14592 Kaul Avenue  
Menomonee Falls, WI 53051

P 877 965 0005  
intrigueled.com

Fixture Type: \_\_\_\_\_

Model Number: \_\_\_\_\_

Project Name: \_\_\_\_\_



SERIES      POLE HEIGHT      WALL THICKNESS      DIAMETER      MOUNTING TYPE      FIXTURE CONFIGURATION      OPTIONS      FINISH

**PA1-S** - \_\_\_\_\_ - \_\_\_\_\_ - \_\_\_\_\_ - \_\_\_\_\_ - \_\_\_\_\_ - \_\_\_\_\_ - \_\_\_\_\_

## MODEL NUMBER DETAIL

- |                              |                          |              |  |
|------------------------------|--------------------------|--------------|--|
| <b>SERIES</b>                | <input type="checkbox"/> | <b>PA1-S</b> | Round Straight Aluminum (RSA) Pole                 |
| <b>POLE HEIGHT</b>           | <input type="checkbox"/> | <b>08</b>    | 8' Height  |
|                              | <input type="checkbox"/> | <b>10</b>    | 10' Height   |
|                              | <input type="checkbox"/> | <b>12</b>    | 12' Height   |
|                              | <input type="checkbox"/> | <b>14</b>    | 14' Height   |
|                              | <input type="checkbox"/> | <b>16</b>    | 16' Height   |
|                              | <input type="checkbox"/> | <b>18</b>    | 18' Height   |
|                              | <input type="checkbox"/> | <b>20</b>    | 20' Height   |
| <b>WALL THICKNESS</b>        | <input type="checkbox"/> | <b>T</b>     | 0.125" Wall  |
|                              | <input type="checkbox"/> | <b>L</b>     | 0.156" Wall  |
|                              | <input type="checkbox"/> | <b>M</b>     | 0.188" Wall  |
| <b>DIAMETER</b>              | <input type="checkbox"/> | <b>4</b>     | 4" Base Diameter                                   |
|                              | <input type="checkbox"/> | <b>5</b>     | 5" Base Diameter                                   |
|                              | <input type="checkbox"/> | <b>6</b>     | 6" Base Diameter                                   |
| <b>MOUNTING TYPE</b>         | <input type="checkbox"/> | <b>S3A</b>   | Straight Arm Mount                                 |
|                              | <input type="checkbox"/> | <b>SCM</b>   | Shepherds Crook Side Mount                         |
|                              | <input type="checkbox"/> | <b>PTM</b>   | Post Top Mount ( single 2-3/8" tenon )             |
| <b>FIXTURE CONFIGURATION</b> | <input type="checkbox"/> | <b>1</b>     | Single   position "D" or Post Top                  |
|                              | <input type="checkbox"/> | <b>2</b>     | Double @ 180°   positions "B" and "D"              |
|                              | <input type="checkbox"/> | <b>3</b>     | Triple @ 120°   positions "F", "D", "E"            |
|                              | <input type="checkbox"/> | <b>4</b>     | Quadruple @ 90°   positions "A", "B", "C", and "D" |
|                              | <input type="checkbox"/> | <b>5</b>     | Double @ 90°   positions "C" and "D"               |
|                              | <input type="checkbox"/> | <b>6</b>     | Triple @ 90°   positions "A", "C", and "D"         |
|                              | <input type="checkbox"/> | <b>7</b>     | Double @ 120°   positions "D" and "E"              |
| <b>OPTIONS</b>               | <input type="checkbox"/> | <b>E</b>     | GFI Convenience Outlet                             |
|                              | <input type="checkbox"/> | <b>V</b>     | Vibration Damper                                   |
| <b>FINISH</b>                | <input type="checkbox"/> | <b>BLK</b>   | Black Finish                                       |
|                              | <input type="checkbox"/> | <b>BRZ</b>   | Bronze Finish                                      |
|                              | <input type="checkbox"/> | <b>GRY</b>   | Grey Finish  |
|                              | <input type="checkbox"/> | <b>SIL</b>   | Silver Finish                                      |
|                              | <input type="checkbox"/> | <b>VGN</b>   | Verde Green Finish                                 |
|                              | <input type="checkbox"/> | <b>WHT</b>   | White Finish                                       |
|                              | <input type="checkbox"/> | <b>CC</b>    | Custom Color   consult factory                     |
|                              | <input type="checkbox"/> | <b>WGF</b>   | Woodgrain Finish   consult factory                 |



*content of specification sheet is subject to change.*

N60 W14592 Kaul Avenue  
Menomonee Falls, WI 53051

P 877 965 0005  
[intrigueled.com](http://intrigueled.com)

Fixture Type: \_\_\_\_\_

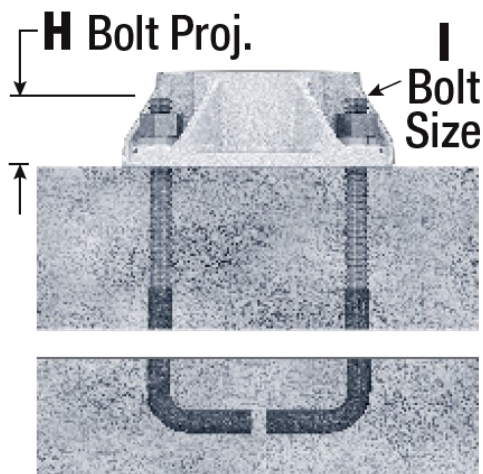
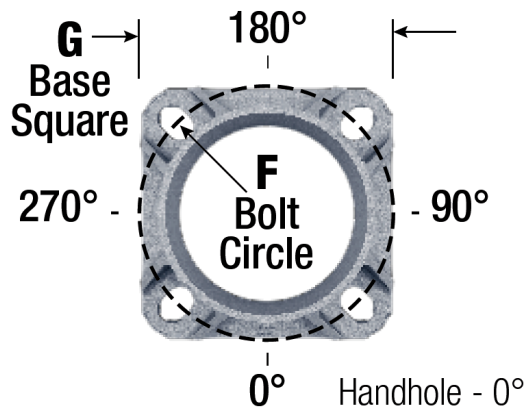
Model Number: \_\_\_\_\_

Project Name: \_\_\_\_\_

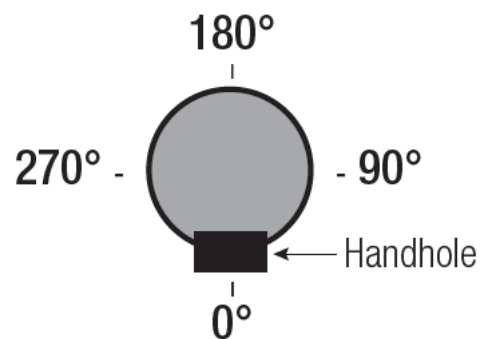


## INSTALLATION DETAIL

### ANCHORAGE



### MOUNTING DESIGNATION



*content of specification sheet is subject to change.*

N60 W14592 Kaul Avenue  
Menomonee Falls, WI 53051

P 877 965 0005  
[intrigueled.com](http://intrigueled.com)

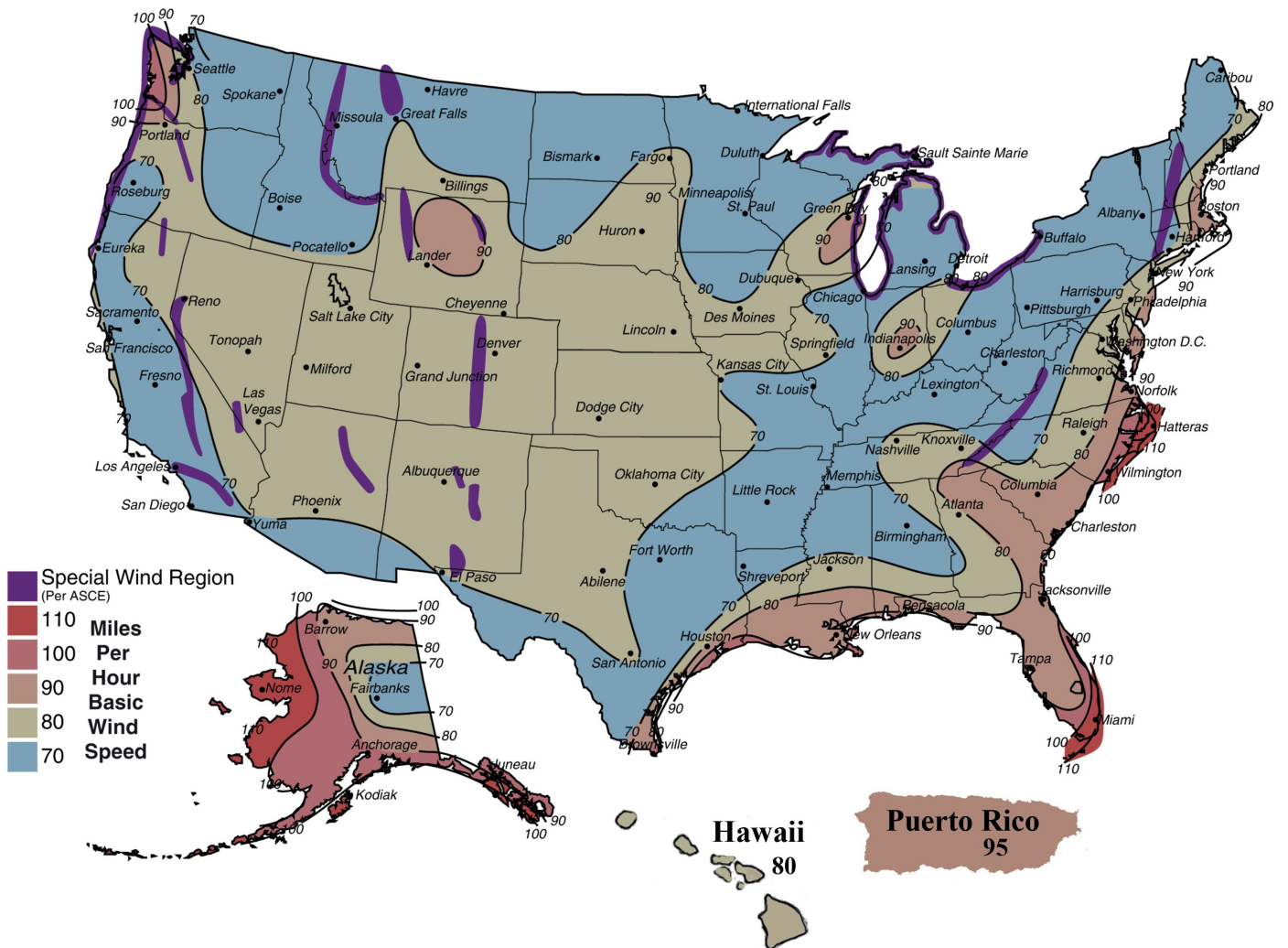
Fixture Type: \_\_\_\_\_

Model Number: \_\_\_\_\_

Project Name: \_\_\_\_\_



## WIND ZONE MAP



content of specification sheet is subject to change.

N60 W14592 Kaul Avenue  
Menomonee Falls, WI 53051

P 877 965 0005  
intrigueled.com