

Fixture Type: \_\_\_\_\_  
 Model Number: \_\_\_\_\_  
 Project Name: \_\_\_\_\_

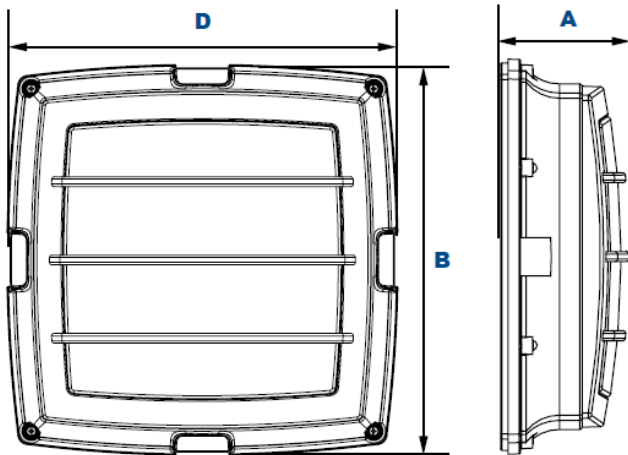


## SOLITAIRE - THREE STRIPE GUARD Decorative Square LED Surface Bulkhead



### Dimensions

<b>Width (D)</b>	12½" (318mm)
<b>Length (B)</b>	12½" (318mm)
<b>Height (A)</b>	4¼" (108mm)



**General:** The Solitaire decorative square LED surface bulk head is perfect for areas where good illumination in a decorative package is desired. Designed to replace 100 watt HID lighting systems. The open door frame allows for maximum light output. Typical applications include shopping malls, office buildings, schools, condominiums, and hospitality. Recommended mounting heights: 8' to 20'.

**Housing:** Die cast aluminum housing with fully gasketed cast aluminum three stripe guard front face frame. Nickel plated stainless steel hardware.

**Lens:** Supplied with polycarbonate opal lens to eliminate LED "hot spots". Type IV distribution.

**Mounting:** Surface mounted.

**LED Board:** Aluminum board with LED array.  
 Available color temperatures of 4000K and 5000K.

**Wattage:** Array: 17.0 watts      System: 19.7 watts

**Driver:** Electronic dimmable driver (525mA); 120-277V; 50/60Hz

**Options:** Battery Backup (-EM)  
 Single Fuse (-SF); Double Fuse (-DF)  
 Surge Protector (-SP)  
 120v Photocell (-P1); 277v Photocell (-P2)  
 Microwave Sensor w/Dimming (internal) (-S2)

**Finish:** Architectural powdercoat finish over a chromate conversion coating. Available in bronze(-BRZ) or white (-WHT) finishes.  
 For custom color (-CC) options, consult factory.

**Certifications:** CSA listed for wet locations  
 Operating temperature: -40°C to +50°C  
 IP65 | sealed LED compartment

LED Board Watts	Drive Current (mA)	Input Watts	Optics	Lumens	5000 CCT 80 CRI				4000 CCT 80 CRI				
					LPW	B	U	G	Lumens	LPW	B	U	G
EasyLED 17w	525	20	Type IV	1,923	96	0	4	2	1,846	92	0	4	2



*content of specification sheet is subject to change.*

N60 W14592 Kaul Avenue  
 Menomonee Falls, WI 53051

P 877 965 0005  
[intrigueled.com](http://intrigueled.com)

Fixture Type: \_\_\_\_\_

Model Number: \_\_\_\_\_

Project Name: \_\_\_\_\_



SERIES      SHAPE      WATTAGE      CCT (kelvin)      FRAME      LENS      OPTIONS      VOLTAGE      FINISH

**SL** - **SQR** - **20LED** - \_\_\_\_\_ - **3SG** - **OPL** - \_\_\_\_\_ - **UNV** - \_\_\_\_\_

## MODEL NUMBER DETAIL

<b>SERIES</b>	<input type="checkbox"/> <b>SL</b>	Solitaire Decorative LED Surface Mount Wall Pack
<b>SHAPE</b>	<input type="checkbox"/> <b>SQR</b>	Square Bulkhead
<b>WATTAGE</b>	<input type="checkbox"/> <b>20LED</b>	19.7 (system) watt LED Module
<b>COLOR (K)</b>	<input type="checkbox"/> <b>40K</b> <input type="checkbox"/> <b>50K</b>	4000K 5000K
<b>FRAME</b>	<input type="checkbox"/> <b>3SG</b>	Three Stripe Guard
<b>LENS</b>	<input type="checkbox"/> <b>OPL</b>	Opal Polycarbonate Lens
<b>OPTIONS</b>	<input type="checkbox"/> <b>DF</b> <input type="checkbox"/> <b>EM</b> <input type="checkbox"/> <b>SF</b> <input type="checkbox"/> <b>DF</b> <input type="checkbox"/> <b>P1</b> <input type="checkbox"/> <b>P2</b> <input type="checkbox"/> <b>SP</b>	Microwave Sensor w/dimming (for mounting heights of 15' or lower) Emergency Battery Backup (90 minutes) Single Fuse Double Fuse Photocell (120v) Photocell (277v) Surge Protector
<b>VOLTAGE</b>	<input type="checkbox"/> <b>UNV</b>	Universal Voltage (120v-277v) (50/60Hz); electronic dimmable driver
<b>FINISH</b>	<input type="checkbox"/> <b>BRZ</b> <input type="checkbox"/> <b>WHT</b> <input type="checkbox"/> <b>CC</b>	Bronze White Custom Color - Consult Factory



*content of specification sheet is subject to change.*

N60 W14592 Kaul Avenue  
Menomonee Falls, WI 53051

P 877 965 0005  
[intrigueled.com](http://intrigueled.com)