

Fixture Type: _____
 Model Number: _____
 Project Name: _____



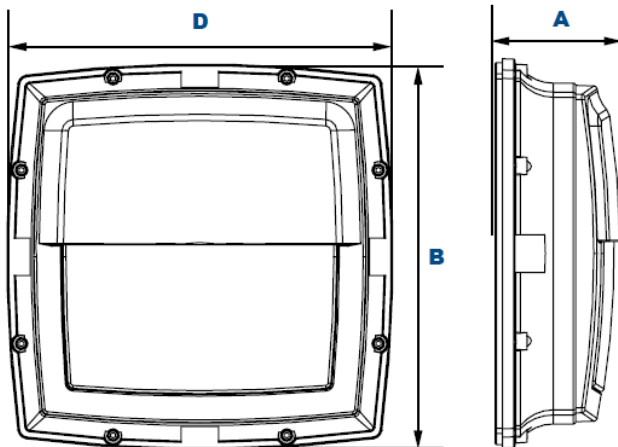
SOLITAIRE - HALF CUTOFF GUARD

Decorative Square LED Surface Bulkhead



Dimensions

Width (D)	12½" (318mm)
Length (B)	12½" (318mm)
Height (A)	4¼" (108mm)



General: The Solitaire decorative square LED surface bulk head is perfect for areas where good illumination in a decorative package is desired. Designed to replace 100 watt HID lighting systems. The open door frame allows for maximum light output. Typical applications include shopping malls, office buildings, schools, condominiums, and hospitality. Recommended mounting heights: 8' to 20'.

Housing: Die cast aluminum housing with fully gasketed cast aluminum half cutoff "eyelid" guard front face frame. Nickel plated stainless steel hardware.

Lens: Supplied with polycarbonate opal lens to eliminate LED "hot spots". Type IV distribution.

Mounting: Surface mounted.

LED Board: Aluminum board with LED array. Available color temperatures of 4000K and 5000K.

Wattage: Array: 17.0 watts System: 19.7 watts

Driver: Electronic dimmable driver (525mA); 120-277V; 50/60Hz

Options: Battery Backup (-EM)
 Single Fuse (-SF); Double Fuse (-DF)
 Surge Protector (-SP)
 120v Photocell (-P1); 277v Photocell (-P2)
 Microwave Sensor w/Dimming (internal) (-S2)

Finish: Architectural powdercoat finish over a chromate conversion coating. Available in bronze(-BRZ) or white (-WHT) finishes. For custom color (-CC) options, consult factory.

Certifications: CSA listed for wet locations
 Operating temperature: -40°C to +50°C
 IP65 | sealed LED compartment

LED Board Watts	Drive Current (mA)	Input Watts	Optics	Lumens	5000 CCT 80 CRI				4000 CCT 80 CRI				
					LPW	B	U	G	Lumens	LPW	B	U	G
EasyLED 17w	525	20	Type IV	2,073	104	0	4	2	1,990	100	0	4	2



content of specification sheet is subject to change.

N60 W14592 Kaul Avenue
 Menomonee Falls, WI 53051

P 877 965 0005
intrigueled.com

Fixture Type: _____

Model Number: _____

Project Name: _____



SERIES SHAPE WATTAGE CCT (kelvin) FRAME LENS OPTIONS VOLTAGE FINISH

SL - **SQR** - **20LED** - _____ - **HC** - **OPL** - _____ - **UNV** - _____

MODEL NUMBER DETAIL

SERIES	<input type="checkbox"/>	SL	Solitaire Decorative LED Surface Mount Wall Pack
SHAPE	<input type="checkbox"/>	SQR	Square Bulkhead
WATTAGE	<input type="checkbox"/>	20LED	19.7 (system) watt LED Module
COLOR (K)	<input type="checkbox"/>	40K	4000K
	<input type="checkbox"/>	50K	5000K
FRAME	<input type="checkbox"/>	HC	Half Cutoff "Eyelid" Guard
LENS	<input type="checkbox"/>	OPL	Opal Polycarbonate Lens
OPTIONS	<input type="checkbox"/>	DF	Microwave Sensor w/dimming (for mounting heights of 15' or lower)
	<input type="checkbox"/>	EM	Emergency Battery Backup (90 minutes)
	<input type="checkbox"/>	SF	Single Fuse
	<input type="checkbox"/>	DF	Double Fuse
	<input type="checkbox"/>	P1	Photocell (120v)
	<input type="checkbox"/>	P2	Photocell (277v)
	<input type="checkbox"/>	SP	Surge Protector
VOLTAGE	<input type="checkbox"/>	UNV	Universal Voltage (120v-277v) (50/60Hz); electronic dimmable driver
FINISH	<input type="checkbox"/>	BRZ	Bronze
	<input type="checkbox"/>	WHT	White
	<input type="checkbox"/>	CC	Custom Color - Consult Factory



content of specification sheet is subject to change.

N60 W14592 Kaul Avenue
Menomonee Falls, WI 53051

P 877 965 0005
intrigueled.com