

Fixture Type: _____
 Model Number: _____
 Project Name: _____

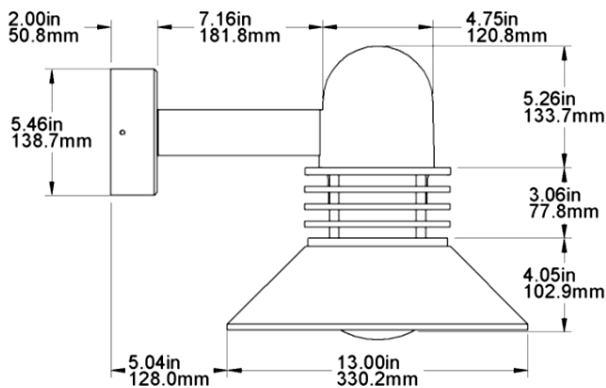


METRO

Decorative LED Wall Mount



LED module



General: The updated classic style of the Metro series is a popular fixture providing general illumination from a wall mounted fixture. Appropriate for pedestrian scale installations, the stacked decorative rings provide an aesthetic appeal.

Construction: Top, housing, and mounting gear are constructed of low copper content, marine-grade cast aluminum. Shade shall be spun aluminum with underside painted white. Stainless steel external hardware to protect against exterior elements.

Mounting: Straight arm (-WA) wall mount.

Top: Dome (-D) top style; marine-grade cast aluminum.

Lens: Glass globe available in opal (-OL) or clear (-CL).

LED Module: 20-watt LED module located in upper housing. Aluminum PCB with 3mm thick cover glass. Aluminum cover secured with stainless steel screws (x6). Available in color temperatures of 3000K or 4000K. CRI: 70.

Heat Sink: Finned heat sink shall be extruded aluminum with electrophoretic deposition and shall be factory sealed to LED module housing.

Driver: Constant current programmable LED Driver offers high efficiency, smooth flicker-free dimming (0-10V dimmable down to 1mA). The auxiliary output provides power source for sensors and eliminates the need for an additional power supply.

Gaskets: EPDM gaskets standard.

Finish: Textured polyester powder coat finish. Shade underside shall be standard white finish. Black, bronze, grey, white, silver, and verde green options available. For custom colors, please consult factory.

Weight: 15 lbs

Listings: ETL Listed to UL 8750. IESNA LM79. Operating temperature: -40°C to +60°C

Warranty: 5 years from date of shipment



content of specification sheet is subject to change.

N60 W14592 Kaul Avenue
 Menomonee Falls, WI 53051

P 877 965 0005
intrigueled.com

Fixture Type: _____

Model Number: _____

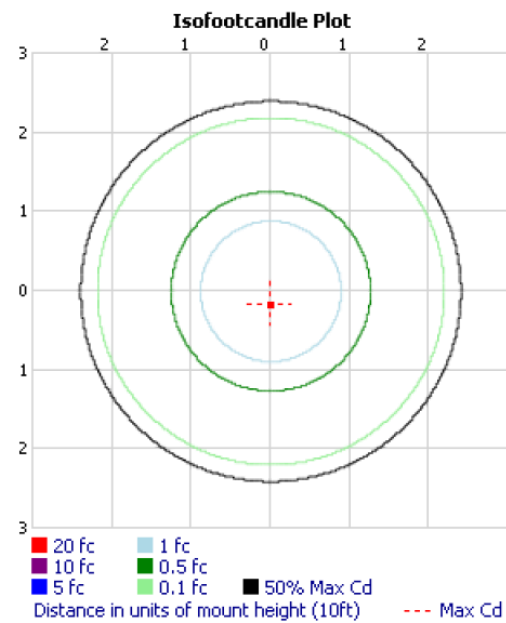
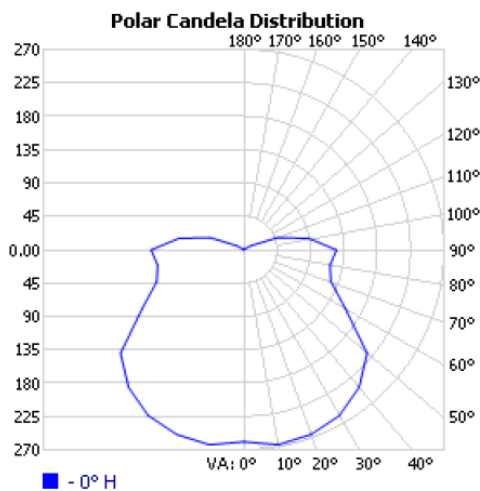
Project Name: _____



PHOTOMETRIC SPECIFICATIONS

Photometric Performance

Input Watts	Drive Current (mA)	Color Temperature	Optics	Lumens	LPW	CRI	B	U	G
20.0w	1050mA	3000K	Lens	1,351	71	70	1	3	1
		4000K		1,351	71	70	1	3	1



content of specification sheet is subject to change.

N60 W14592 Kaul Avenue
Menomonee Falls, WI 53051

P 877 965 0005
intrigueled.com

Fixture Type: _____
Model Number: _____
Project Name: _____

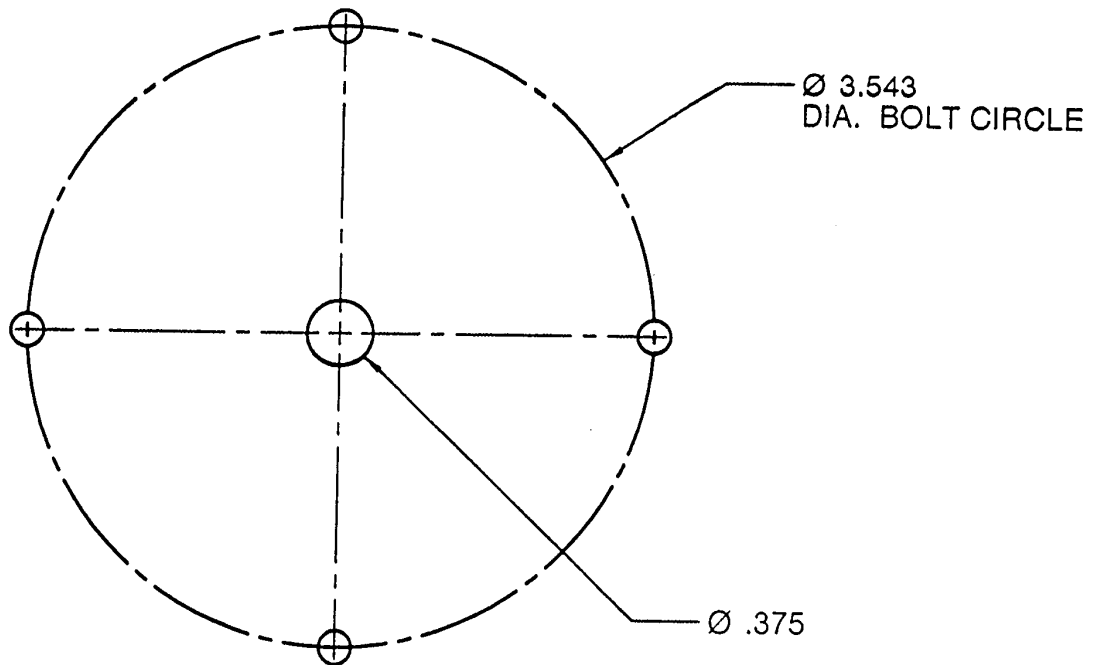


MOUNTING / INSTALLATION DETAIL

Not To Scale

Drill pattern represents standard hold pattern in mounting plate (supplied by Intrigue Lighting).

Hole size and orientation to be determined by installing contractor.



content of specification sheet is subject to change.

N60 W14592 Kaul Avenue
Menomonee Falls, WI 53051

P 877 965 0005
intrigueled.com

Fixture Type: _____

Model Number: _____

Project Name: _____



SERIES MOUNTING WATTAGE COLOR (K) TOP LENS VOLTAGE FINISH
MT - **WA** - **20LED** - _____ - **D** - _____ - **UNV** - _____

MODEL NUMBER DETAIL

SERIES	<input type="checkbox"/> MT	Metro Decorative LED Wall Mount
MOUNTING	<input type="checkbox"/> WA	Single Straight Arm Wall Mount
WATTAGE	<input type="checkbox"/> 20LED	20-watt LED Module
LED COLOR (K)	<input type="checkbox"/> 3K <input type="checkbox"/> 4K	3000K 4000K
TOP STYLE	<input type="checkbox"/> D	Dome Top
LENS	<input type="checkbox"/> CL <input type="checkbox"/> OL	Clear Threaded Glass Lens Opal Threaded Glass Lens
VOLTAGE	<input type="checkbox"/> UNV	Universal Voltage (120v-277v) (50/60Hz); electronic dimmable driver
FINISH	<input type="checkbox"/> BLK <input type="checkbox"/> BRZ <input type="checkbox"/> GRY <input type="checkbox"/> SIL <input type="checkbox"/> VGN <input type="checkbox"/> WHT <input type="checkbox"/> CC	Black Bronze Grey Silver Verde Green White Custom Color - Consult Factory



content of specification sheet is subject to change.

N60 W14592 Kaul Avenue
Menomonee Falls, WI 53051

P 877 965 0005
intrigueled.com

Oct-19