

Type: _____ Model: _____

Project: _____



MYSTIQUE FULL CUTOFF

Full Cutoff Amber LED Pole Mount

General: The contemporary design and swept shade of the Mystique series provides a full-cutoff decorative fixture. Fixture was designed to meet IESNA standards for full-cutoff, reducing upward light pollution.

Construction: Top, housing, and mounting gear are constructed of low copper content cast aluminum. Shade shall be spun aluminum. Stainless steel external hardware to protect against the exterior elements.

Tops: Two (2) top styles available: Cone (-C) (for -PA straight arm only) and Dome (-D) top.

LED Light Engine: LED module located in upper housing with LED module offering 20 nominal input watts. Amber LED board provides color wavelength of 590nm.

Driver: Constant current LED driver mounted in upper fixture housing; drive current of 700mA.

Heat Sink: Finned heat sink shall be extruded aluminum alloy 383 (ADC12) and shall be located in the top housing secured to the LED module.

Mounting: Three (3) pole mount styles available: straight pole arm (-PA), post top shepherds crook (-PTS), and side arm shepherds crook (-PAS).

Pole: See Intrigue "Pole Specification Guide" for product detail.

Finish: Textured polyester powder coat finish. Shade underside is standard white finish. Black, bronze, grey, white, silver, and verde green options available. For custom colors, consult factory.

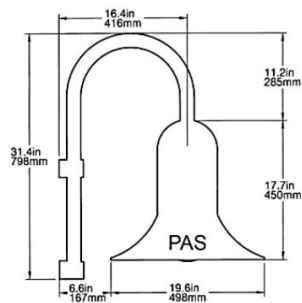
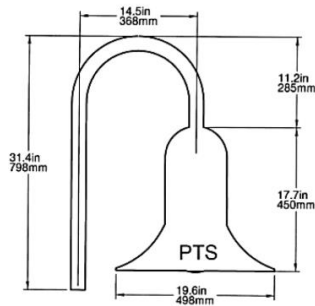
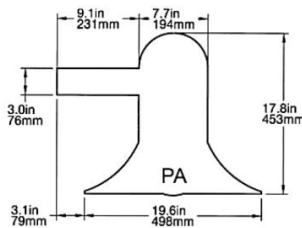
Gaskets: EPDM gaskets standard.

EPA and Weight:	EPA	PA	0.75ft ²
		PTS	0.85ft ²
		PAS	0.86ft ²
Weight	PA	26 lbs	
	PTS	27 lbs	
	PAS	28 lbs	

Listings: ETL Listed to UL 8750. IESNA LM79



shown with straight post arm mount (-PA)



post top shepherds crook mount (-PTS)



Type: _____ Model: _____

Project: _____



SERIES MOUNTING WATTAGE LED COLOR TOP STYLE VOLTAGE FINISH

MYF - _____ - **20LED** - **AML** - _____ - **UNV** - _____

FIXTURE DETAIL

SERIES **MYF** Mystique Full Cutoff Pole Mount

MOUNTING **PA** Straight Arm Pole Mount
 PAS Side Arm Shepherds Crook Mount
 PTS Post Top Shepherds Crook Mount

WATTAGE **20LED** 20 nominal watts

Nominal Watts	Nominal Lumens	Lumens/Watt (LPW)	Wavelength	Rated Life (L85)	Drive Current (mA)	Forward Voltage
20	1,500	75	590nm	50,000 hrs	700mA	28.8V

LED COLOR **AML** Amber LED board | wavelength of 590nm

TOP STYLE **C** Cone
 D Dome

VOLTAGE **UNV** 120v – 277v; output current 700mA

FINISH **BLK** Black **VGN** Verde Green
 BRZ Bronze **WHT** White
 GRY Grey **CC** Custom Color – consult factory
 SIL Silver

IES files can be found on website. Content of specification sheets is subject to change. Please consult website for current product detail.

